

SEE DETAIL A

LEGEND:

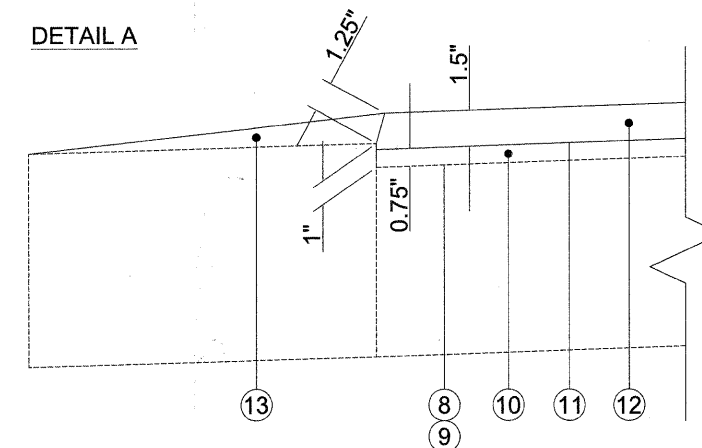
- ① PR HOT-MIX ASPHALT SURFACE REMOVAL, 1"
- ② EX HOT-MIX ASPHALT SURFACE COURSE AND (LEVELING) BINDER COURSE, 3" AND VARIES (1" TO BE MILLED)
- ③ EX HOT-MIX ASPHALT BASE COURSE, VARIES 2" TO 4"
- ④ EX SUBBASE GRANULAR MATERIAL, TYPE B, VARIES 4" TO 18"
- ⑤ EX HOT-MIX ASPHALT SHOULDERS
- ⑥ EX AGGREGATE SHOULDERS
- ⑦ EX GUARDRAIL, REMOVAL (STA. 6609+84 TO STA. 6613+04)
- ⑧ PR AGGREGATE (PRIME COAT)
- ⑨ PR BITUMINOUS MATERIALS (PRIME COAT)
- ⑩ PR POLYMERIZED LEVELING BINDER (MACHINE METHOD), IL-4.75, N50, 0.75"
- ⑪ PR AREA REFLECTIVE CRACK CONTROL TREATMENT, SYSTEM A
- ⑫ PR HOT-MIX ASPHALT SURFACE COURSE, MIX "D", N50, 1.5"
- ⑬ PR AGGREGATE WEDGE SHOULDERS, TYPE B (SEE DETAIL A THIS SHEET)
- ⑭ PR GUARDRAIL, INSTALLATION (STA. 6609+84 TO STA. 6618+03)
- ⑮ PR INTERMITTENT PAVEMENT PATCH

CONTRACTOR SHALL MILL BEFORE PATCHING

HOT-MIX ASPHALT MIXTURE REQUIREMENTS	
MIXTURE TYPE	AIR VOIDS @ Ndes
PAVEMENT RESURFACING	
HOT-MIX ASPHALT SURFACE COURSE, MIX "D", N50 (IL 9.5 mm)	4% @ 50 Gyr.
POLYMERIZED LEVELING BINDER (MACHINE METHOD), IL-4.75, N50	4% @ 50 Gyr.
PATCHING	
CLASS D PATCH (HMA BINDER IL-19 mm)	4% @ 70 Gyr.
PAVEMENT PATCHING (PARTIAL DEPTH) (HMA BINDER IL-19 mm)	4% @ 70 Gyr.

THE UNIT WEIGHT USED TO CALCULATE ALL HMA SURFACE MIXTURE QUANTITIES IS 112 LBS/SQ YD/IN.
THE "AC TYPE" FOR POLYMERIZED HMA MIXES SHALL BE "SBS/SBR PG 70 -22" AND FOR NON-POLYMERIZED HMA THE "AC TYPE" SHALL BE "PG 64 -22" UNLESS MODIFIED BY DISTRICT ONE SPECIAL PROVISIONS.
FOR "PERCENT OF RAP" SEE DISTRICT ONE SPECIAL PROVISIONS.

DETAIL A



FILE NAME = 03_Typical Sections_Powis LAPP
PLOT DATE = 12/15/09

thomas engineering group
thomas engineering group, llc
238 south kenilworth avenue
suite 100
oak park, il 60302
phone: 708-533-1700

DESIGNED - DMM
DRAWN - DMM
CHECKED - KCV
DATE - 12/16/09

REVISED -
REVISED -
REVISED -
REVISED -

STATE OF ILLINOIS
DEPARTMENT OF TRANSPORTATION

POWIS ROAD - IL RTE 64 (NORTH AVENUE) TO SMITH ROAD
TYPICAL SECTIONS

SCALE: NTS

F.A.U. RTE. 2530	SECTION 09-00075-00-RS	COUNTY DUPAGE	TOTAL SHEETS 15	SHEET NO. 3
CONTRACT NO. 63350				
FED. ROAD DIST. NO. 1 ILLINOIS FED. AID PROJECT ARA-9003(403)				