

2002 HORIZONTAL CONTROL DATA

AVRES ASSOCIATES

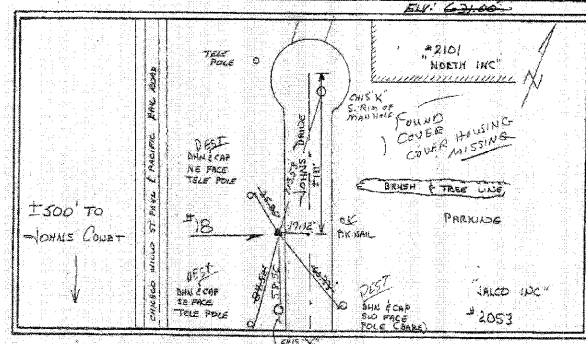
SET BY: Owen Ayres & Associates Inc.
2445 Darwin Road
Madison, WI 53704-3192, (608)249-0471

PROJECT: GLENVIEW ILLINOIS NO. 3381.00 STATION: 18
GPS 2ND ORDER TRAVERSE STATE: ILLINOIS
TYPE OF MARK: BERNSTEN GPS 3D MON. YEAR SET: 1992 COUNTY: COOK
ILLINOIS 1983 SYSTEM OF PLANE COORDINATES QUADRANGLE: PARK RIDGE
COMBINATION FACTOR: 0.99996795 DELTA ANGLE: 0-20-53
NORTHING: 1,977,302.302' EASTING: 1,125,189.347'

To Station North Azimuth Bearing Grid Distance

COVER MISSING REC. OK
CAP AT GROUND 4-1-02
COULD NOT GET TARGET FLUSH
TARGET PT. IS IN GROUND

LOCALITY: IN GLENVIEW, ABOUT 0.8 MILES WEST AND 900 FEET SOUTH OF THE NORTHEAST CORNER OF SECTION 27 T42N R12E. ABOUT 0.4 MILES NORTH-NORTHWEST FROM THE INTERSECTION OF JONES DR. AND CHESTNUT AVE. THE STATION IS A "GPS" MONUMENT WITH THE ACCESS COVER FLUSH WITH THE GROUND.



1992 Vertical and Horizontal Control Markers

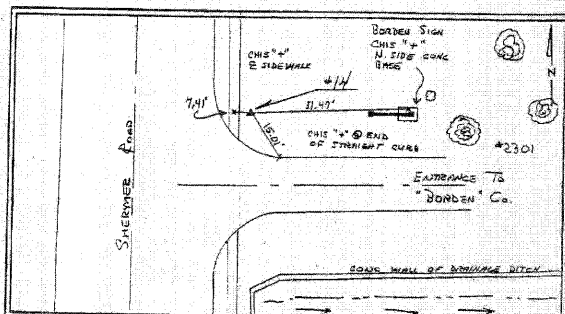
PIN Number of Property 04-22-100-038-9999 Station Number 14

Horizontal Control -- Illinois State Plane Coordinates
Northing 1,982,711.960'N Easting 1,121,040.199'E

Vertical Control -- USGS Elevations
Elevation 647.73'

Description of the Control's Location --
A "GPS" monument on the E side of Sherman Road, beyond the sidewalk, approximately 0.2 mi S of Raymond Drive, and just N of the entrance to Borden & Co. (Northbrook). 7.41' E-ly of the centerline of the sidewalk, 31.47' W-ly of a "T" cut in the N side of the concrete base to a sign, and 15.01' NW-ly of a "T" cut at the end of the straight curb on the N side of Borden's driveway.
Streets in Close Proximity -- Separate street names with semi-colons
SHERMAN ROAD; VALENCIA DRIVE; RAYMOND DRIVE; WILLOW ROAD

Verified in 2002



2002 HORIZONTAL CONTROL DATA

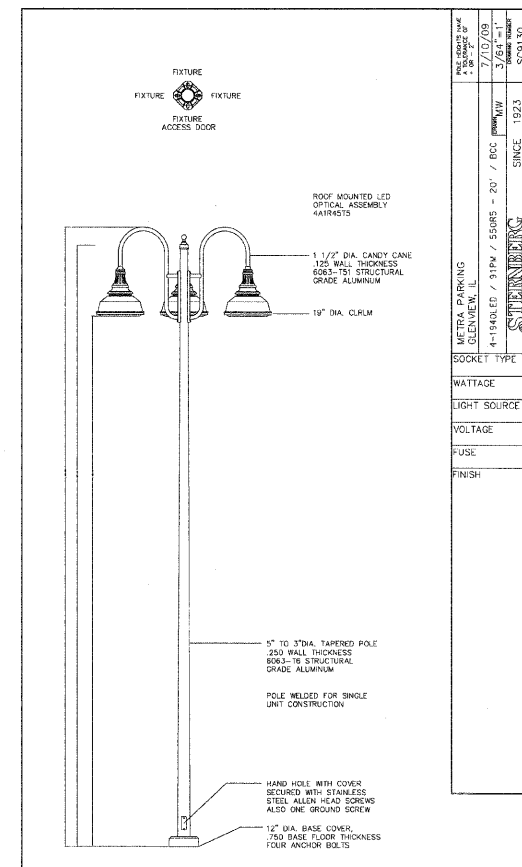
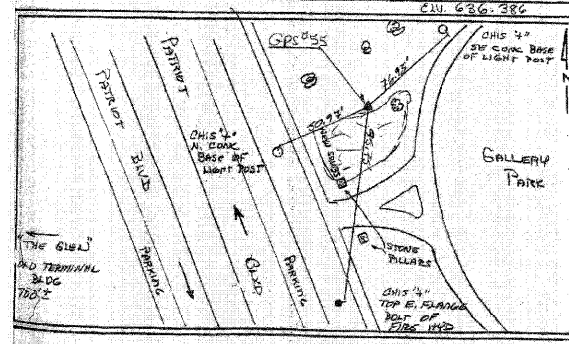
AVRES ASSOCIATES

Madison, WI 53704-3192, (608)249-0471

PROJECT: GLENVIEW ILLINOIS 2002 NO. 723.00 STATION: 55
GPS 2ND ORDER TRAVERSE STATE: ILLINOIS
TYPE OF MARK: BERNSTEN GPS 3D MON. YEAR SET: 2002 COUNTY: COOK
ILLINOIS 1983 SYSTEM OF PLANE COORDINATES QUADRANGLE: PARK RIDGE
COMBINATION FACTOR: 0.99996795 DELTA ANGLE: 0-20-53
NORTHING: 1,975,989.431' EASTING: 1,122,689.604'

To Station North Azimuth Bearing Grid Distance

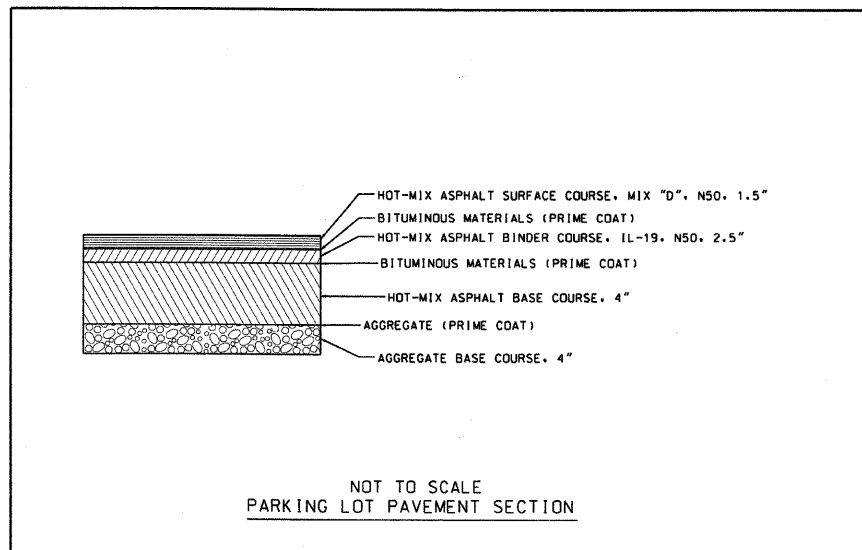
LOCALITY: IN GLENVIEW ILL. ABOUT 0.25 MILE NORTH AND 0.1 MILE WEST OF THE CTR. 27 T42N R12E.



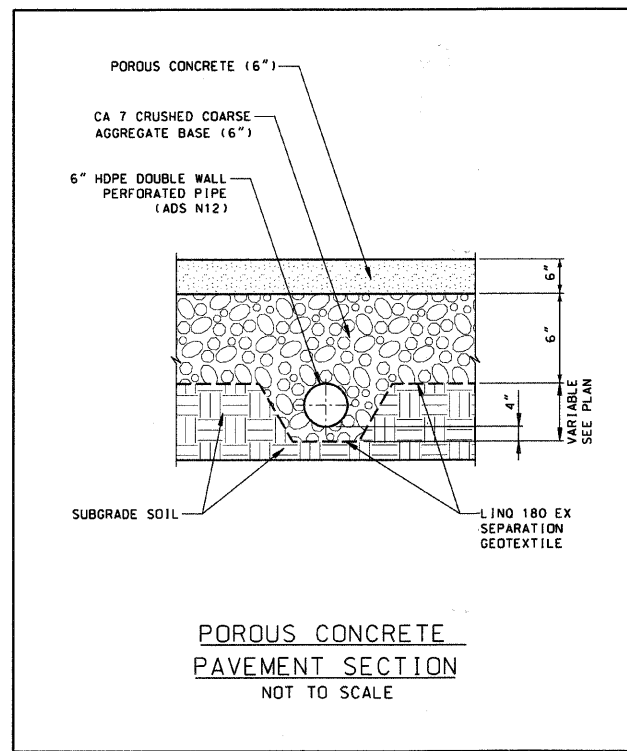
HOT-MIX ASPHALT MIXTURE REQUIREMENTS	
MIXTURE TYPE	AIR VOIDS @Ndes
FULL DEPTH PAVEMENT	
HOT-MIX ASPHALT SURFACE COURSE MIX "D", N50 (IL 9.5 mm); 1.5"	4% @ 50 GYR.
HOT-MIX ASPHALT BINDER COURSE IL 19, N50; 2.5"	4% @ 50 GYR.
HMA BASE COURSE (HMA BINDER IL-19 MM); 4"	4% @ 50 GYR.

THE UNIT WEIGHT USED TO CALCULATE ALL HMA SURFACE MIXTURE QUANTITIES IS 112 LBS/SQ YD / IN.

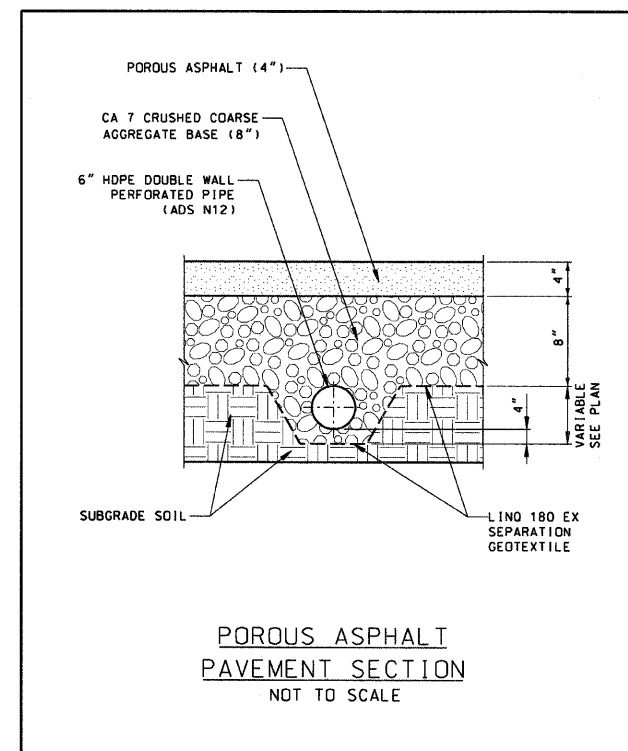
THE "AC TYPE" FOR POLYMERIZED HMA MIXES SHALL BE "SBS/SBR PG 70-22" AND FOR NON POLYMERIZED HMA THE "AC TYPE" SHALL BE "PG 64-22" UNLESS MODIFIED BY DISTRICTON SPECIAL PROVISIONS. FOR "PERCENT OF RAP" SEE DISTRICT ONE SPECIAL PROVISIONS.



NOT TO SCALE
PARKING LOT PAVEMENT SECTION



POROUS CONCRETE
PAVEMENT SECTION
NOT TO SCALE



POROUS ASPHALT
PAVEMENT SECTION
NOT TO SCALE

PLANS PREPARED BY:	SURVEY	DESIGNED	REVISED
Post-Yore and Associates, Inc.	DJG	DJG	10/05/09 PER BLRS
	JC	DJG	
	DJG	LVA	
	04-23-09	09-17-09	

VILLAGE OF GLENVIEW
PROJECT E 08-56

STATE OF ILLINOIS
DEPARTMENT OF TRANSPORTATION

SCALE: NONE SHEET NO. 23 OF 24 SHEETS

F.A. RTE.	SECTION	COUNTY	TOTAL SHEETS	SHEET NO.
NA	08-00169-00-PK	COOK	24	23
CONTRACT NO. 63360				
ILLINOIS FED. AID PROJECT				