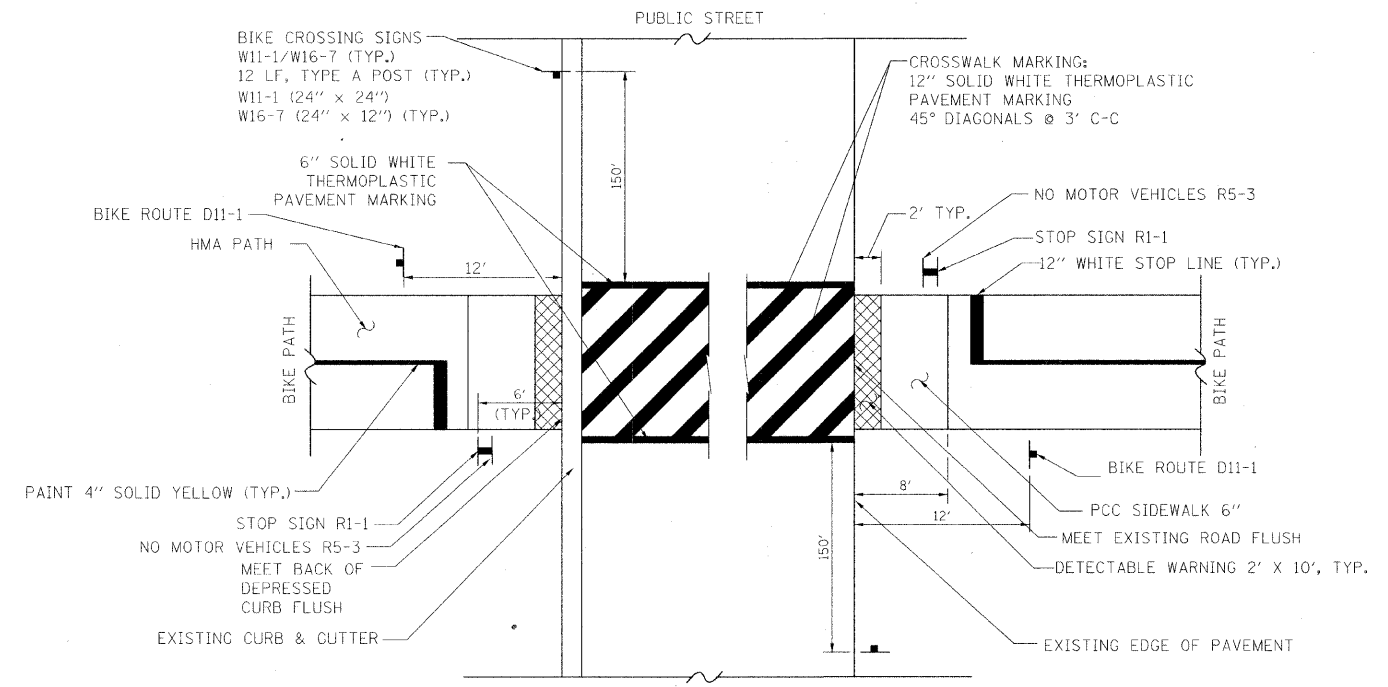
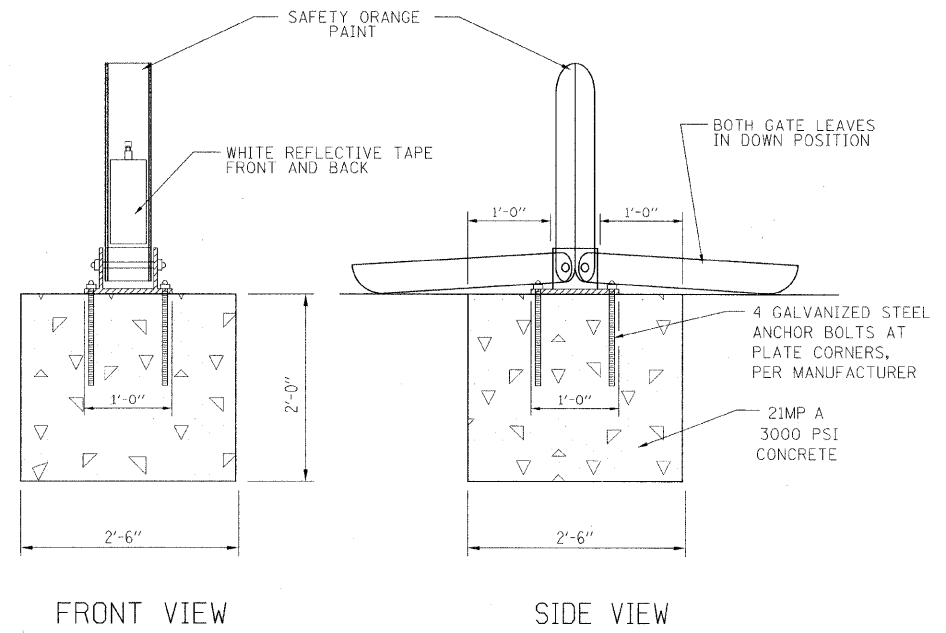


DROP GATE MARKING DETAIL
N.T.S.

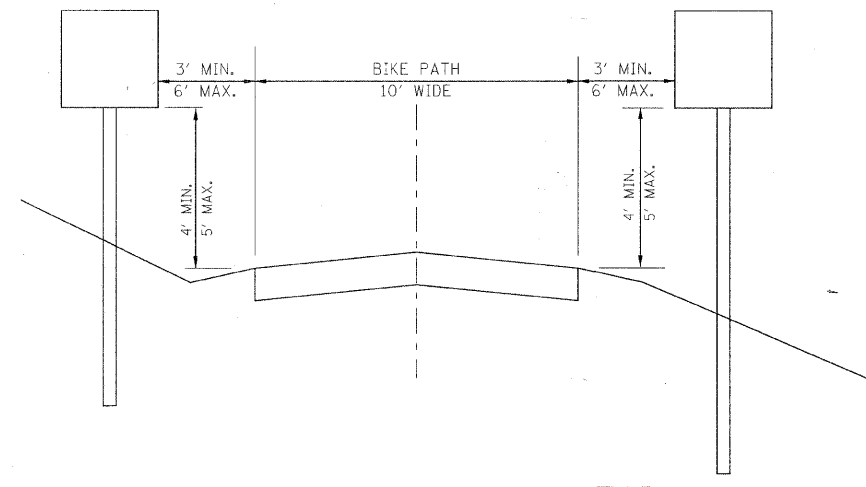


STREET INTERSECTION SIGN AND PAVEMENT MARKING DETAIL
N.T.S.



DROP GATE INSTALLATION DETAIL
N.T.S.

NOTE:
DROP GATE ASSEMBLIES ARE FURNISHED BY THE CONTRACTOR



SIGN PLACEMENT DETAIL

REVISIONS	
NAME	DATE

URS 100 S. WACKER DR., SUITE 500 TEL (312) 939-1000
CHICAGO IL, 60606 FAX (312) 939-4198

VILLAGE OF OAK LAWN

STONY CREEK BIKE TRAIL
MISCELLANEOUS DETAILS

SCALE: NTS DRAWN BY: MIA
DATE: 12/01/09 CHECKED BY: YOO