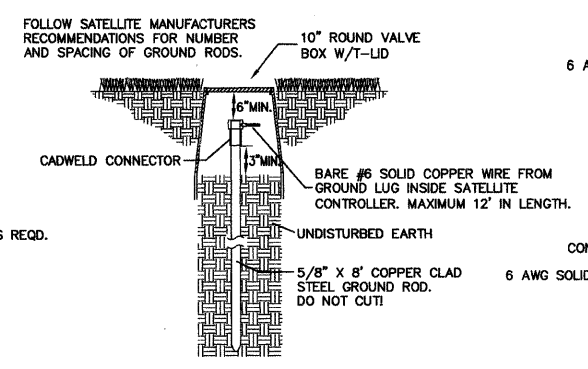
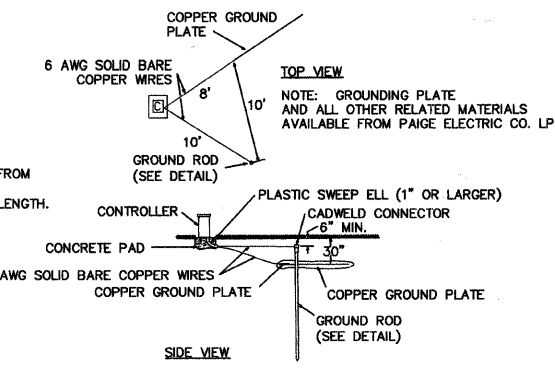


1 ISOLATION VALVE 3" and SMALLER  
NO SCALE

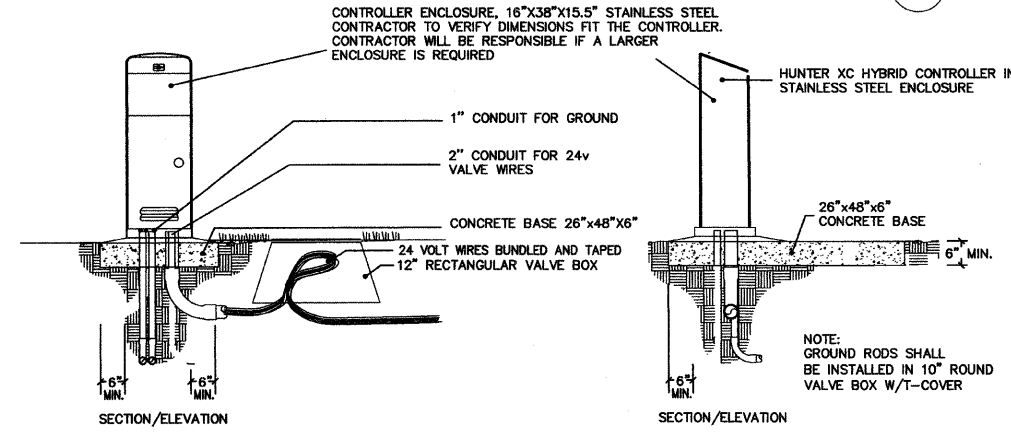


**EARTH GROUNDING**  
IT IS THE RESPONSIBILITY OF THE INSTALLER TO CONNECT ALL ELECTRONIC IRRIGATION EQUIPMENT FOR WHICH HE IS RESPONSIBLE TO EARTH GROUND. GROUNDING COMPONENTS WILL INCLUDE THE ITEMS DESCRIBED IN THE FOLLOWING PARAGRAPH, AT A MINIMUM.  
AT THE VERY MINIMUM, THE GROUNDING CIRCUIT WILL INCLUDE A COPPER CLAD STEEL GROUND ROD, A SOLID COPPER GROUND PLATE AND 100 POUNDS OF GEM EARTH CONTACT MATERIAL, AS DEFINED PER THE FOLLOWING DETAIL.

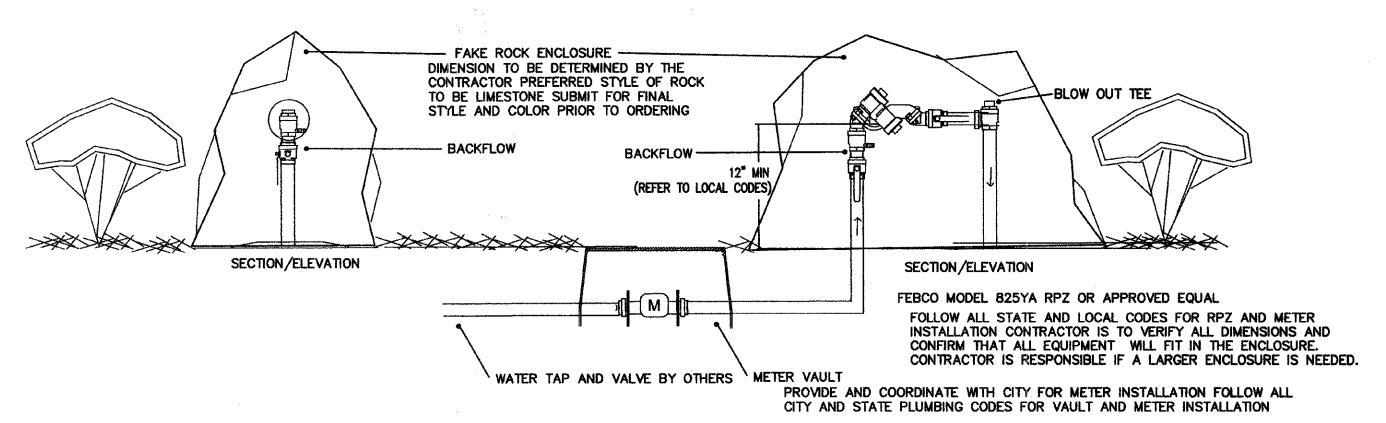
2 CONTROLLER GROUNDING  
NO SCALE



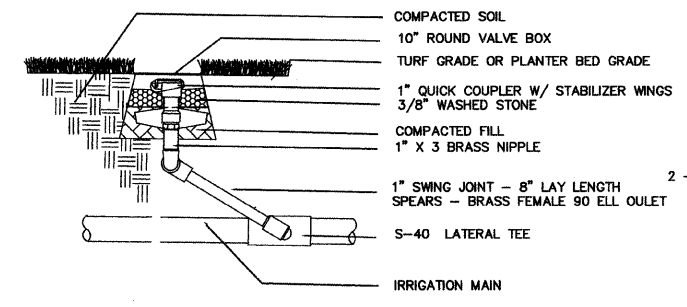
3 SPRAY HEAD AND SMALL ROTOR HEAD  
NO SCALE



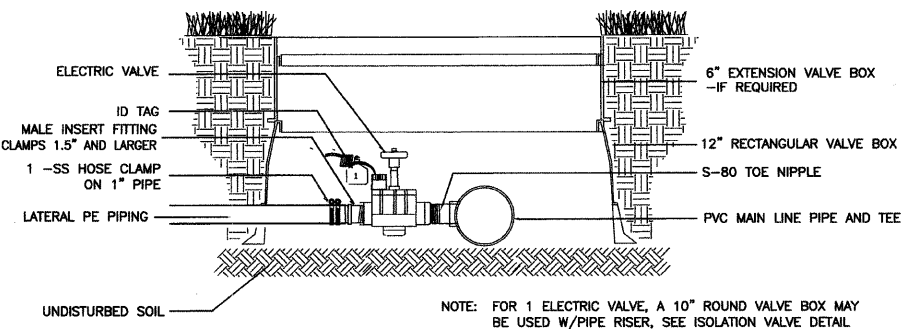
4 CONTROLLER MOUNT  
NO SCALE



5 BACKFLOW /METER ENCLOSURE  
NO SCALE



6 QUICK COUPLER  
NO SCALE



7 ELECTRIC VALVE - PE PIPE  
NO SCALE

- GENERAL IRRIGATION NOTES**
- CONTACT ALL UTILITIES AND GENERAL CONTRACTOR AT LEAST 5 DAYS PRIOR TO THE START OF CONSTRUCTION.
  - MAINTAIN ALL CODES REQUIRED BY STATE AND LOCAL AUTHORITIES.
  - COORDINATE ELECTRICAL HOOKUP WITH GENERAL CONTRACTOR, ELECTRICIAN AND OWNER THE CONTROLLER WILL BE A STAND ALONE MOUNT WITH BATTERY OPERATION.
  - COORDINATE ALL SLEEVES AND PENETRATIONS WITH GENERAL CONTRACTOR IRRIGATION CONTRACTOR IS RESPONSIBLE FOR BORES, SLEEVES OR PENETRATIONS RELATED TO THE IRRIGATION.
  - IRRIGATION HEADS AND LINES ARE SCHEMATIC - MINOR FIELD ADJUSTMENTS MAY BE REQUIRED.
  - INSTALL ALL PIPING AND FITTINGS USING GLUE METHODS CONSISTANT WITH MANUFACTURER'S RECOMMENDATIONS.
  - MAINLINE PIPING SHALL BE INSTALLED AT MINIMUM OF 12" LATERAL LINES SHALL BE INSTALLED AT A MINIMUM DEPTH OF 12".
  - CAP OR PLUG ALL OPENINGS AS SOON AS LINES ARE INSTALLED TO PREVENT DEBRIS IN THE LINE.
  - THOROUGHLY FLUSH ALL LINES PRIOR TO THE OPERATION OF SPRINKLER HEADS.
  - INSTALL WIRES A MIN. OF 10" BELOW GRADE.  
-SPICES ARE NOT ALLOWED IN THE TRENCH.  
-PROVIDE A 24" EXPANSION LOOP AT EACH CHANGE IN DIRECTION.  
-5 FEET OF EXCESS DECODER WIRE IS TO BE AT EACH DECODER LOCATION FOR EASE OF ACCESS.
  - THE IRRIGATION SYSTEM SHALL BE TESTED AT OPERATING PRESSURE FOR A MINIMUM OF 4 HOURS. REPAIR ALL LEAKS AND RETEST AFTER CURING.
  - UPON COMPLETION OF TEST, COMPLETE ASSEMBLY OF ALL EQUIPMENT AND SPRINKLERS FOR PROPER DISTRIBUTION.
  - PROVIDE "AS BUILT" DRAWINGS SHOWING ALL COMPONENTS OF THE SYSTEM PRIOR TO FINAL PAYMENT. PROVIDE FINAL GPM OF ZONES, WIRE RUNS, HEADS, VALVES, PIPE SIZES ETC.
  - ALL GASKETED PRESSURE PIPE AND FITTINGS SHALL BE THRUST BLOCKED. NO CONCRETE PREFORMED BLOCKS WILL BE ALLOWED.
  - ALL EXISTING UTILITIES WHICH ARE NOT SHOWN ON THESE DOCUMENTS WHICH NEED TO BE REMOVED, RELOCATED AND/OR ADJUSTED SHALL BE THE RESPONSIBILITY OF THE IRRIGATION CONTRACTOR.
  - ALL BIDDERS SHALL VISIT AND REVIEW THE SITE AND FAMILIAR THEMSELVES WITH THE SITE PRIOR TO SUBMITTING A BID.
  - CONTRACTOR TO PROVIDE BLOW OUT TAP AFTER RPZ UNIT.
  - CONTRACTOR IS RESPONSIBLE FOR SUBMITTING AND ACQUIRING ALL PERMITS.
  - PRIOR TO INSTALLATION, FIELD TEST THE SYSTEM PRESSURE AT THE POINT OF CONNECTION THE SYSTEM IS BASED ON GPM AND PRESSURE FURNISHED BY OTHERS. CONTRACTOR IS RESPONSIBLE TO VERIFY PRESSURE IS AT LEAST 50 STATIC PSI AND NOTIFY OWNER IF PRESSURE IS LOWER.
  - DRAWING IS SCHEMATIC, FIELD ADJUSTMENTS MAY BE NEEDED. LOCATE ALL MAIN LINES AND LATERAL LINES IN TURF OR PLANTING AREAS. COMPONENTS ARE DRAWN OUTSIDE OF AREAS FOR EASE OF READING.
  - CONTRACTOR IS RESPONSIBLE FOR FINAL HEAD PLACEMENT AND NOZZLES SELECTION TO ENSURE THAT THE SPRINKLER SPRAY DOES NOT REACH THE STREET.