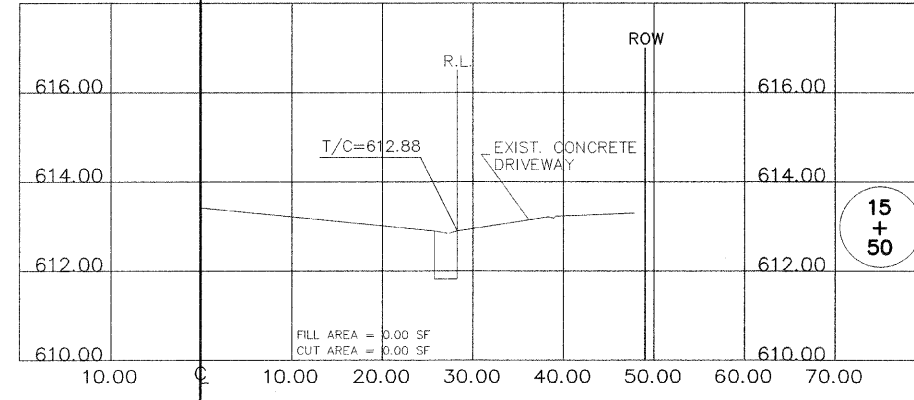
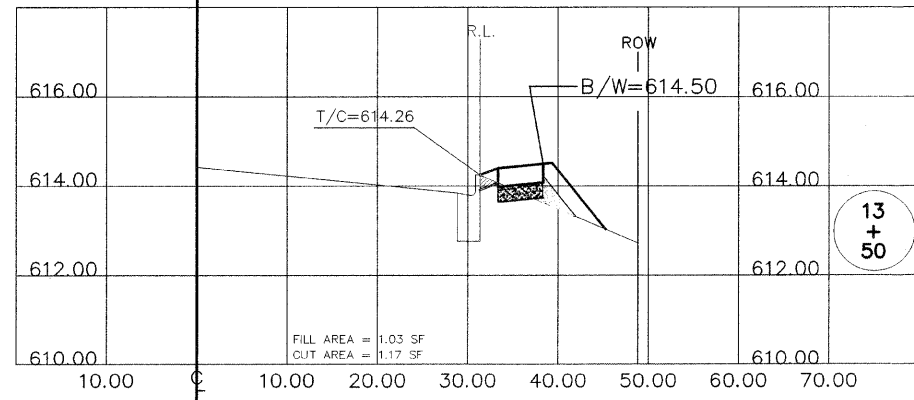
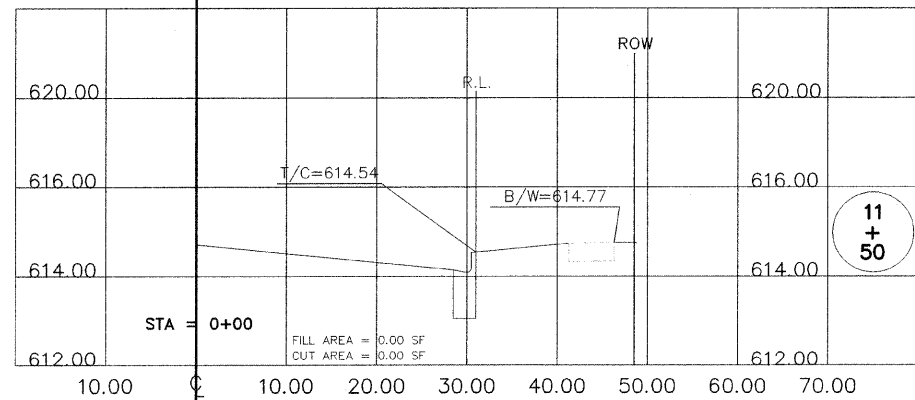
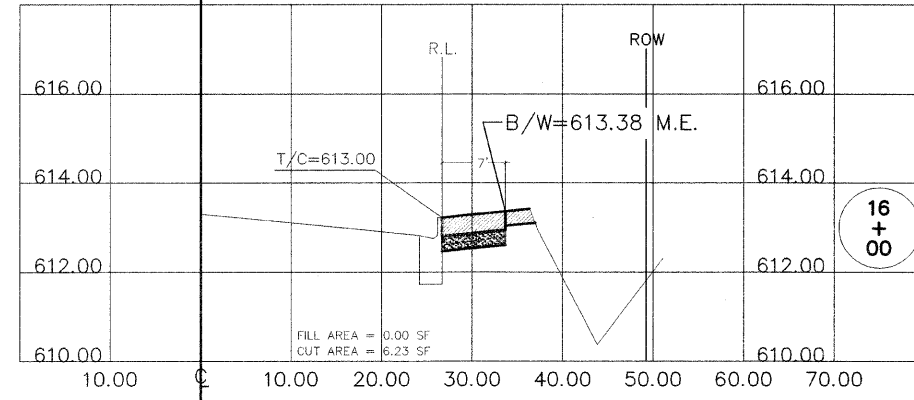
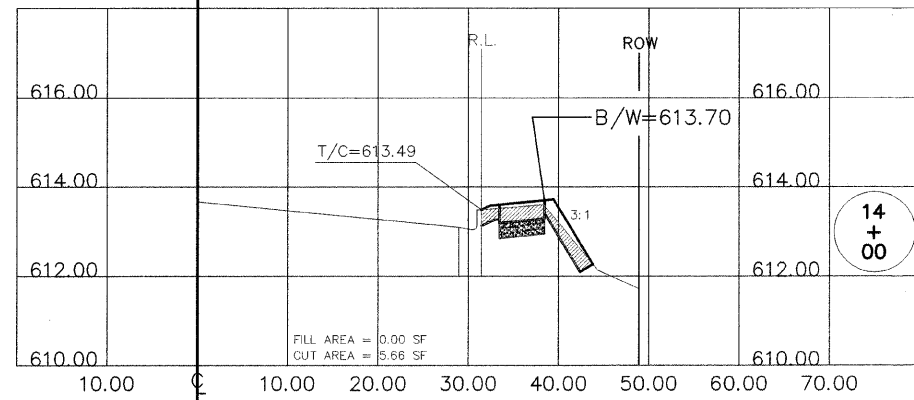
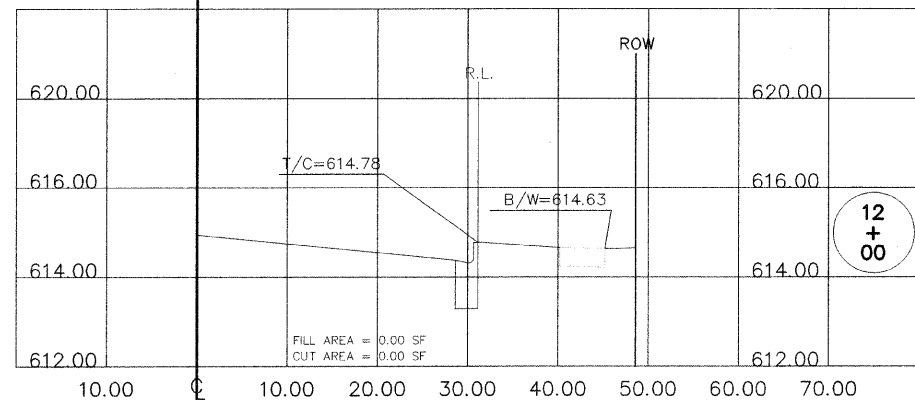
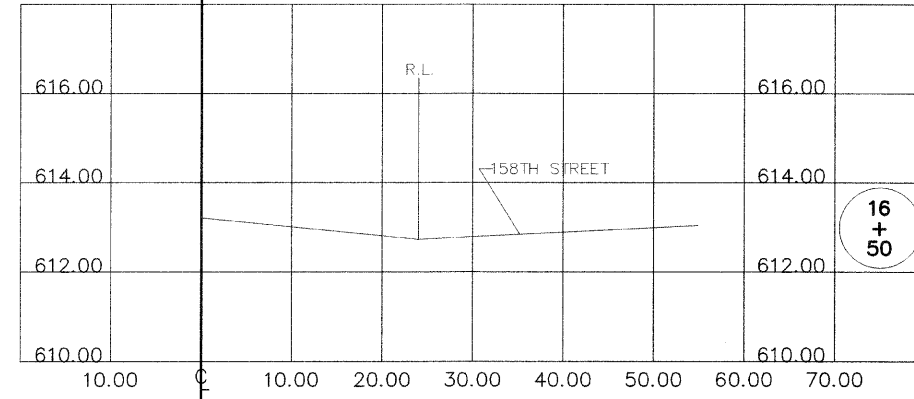
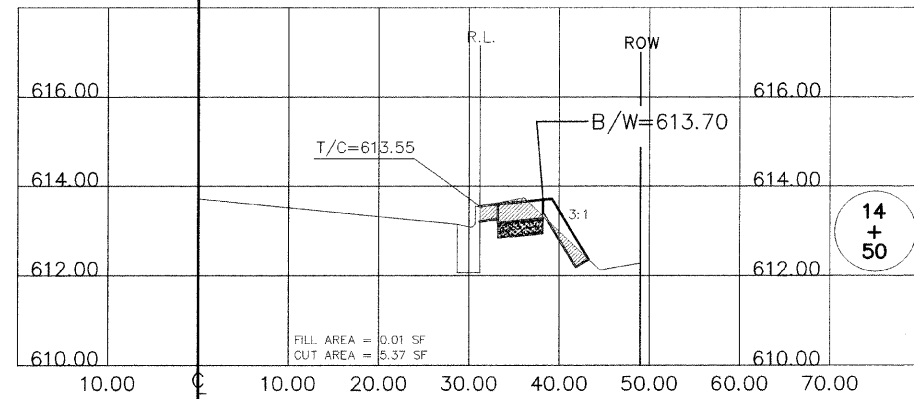
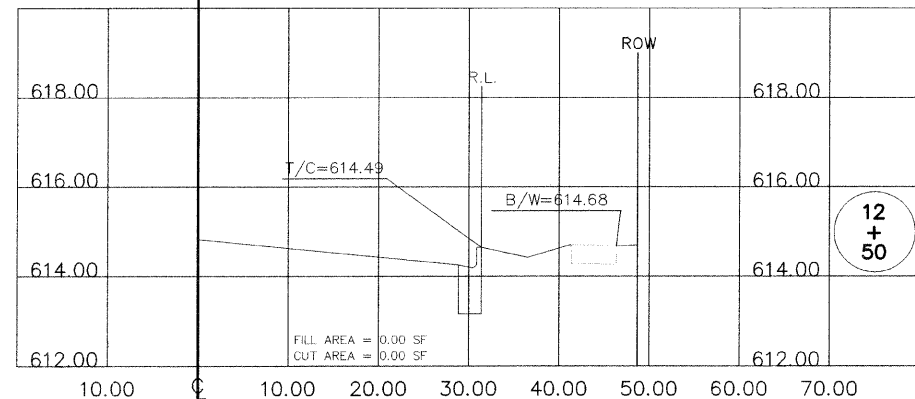
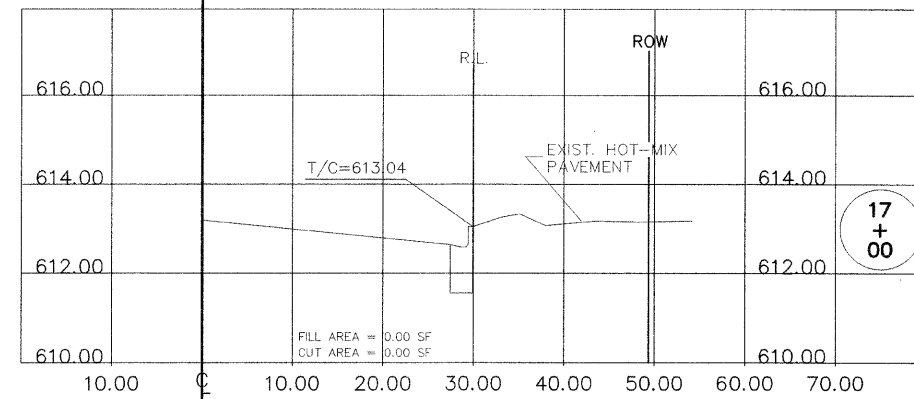
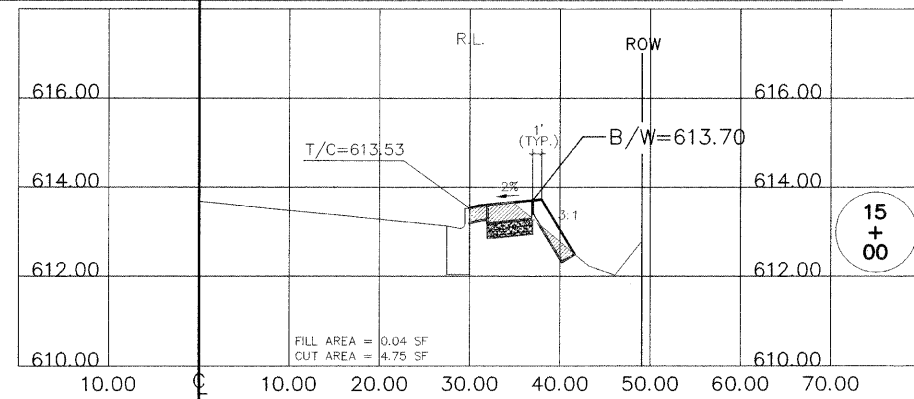
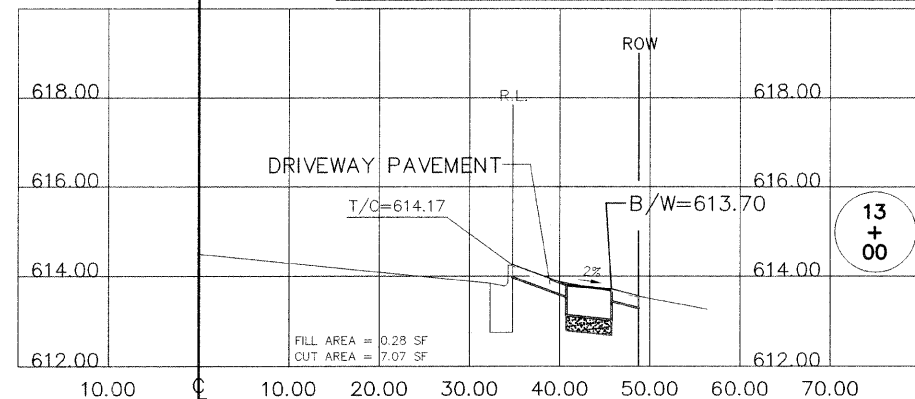


R.L. = REFERENCE LINE THAT RELATES TO THE SIDEWALK OFFSETS INDICATED IN THE PLANS

NOTES:

1. ALL SIDEWALKS AND PARKWAYS SHALL BE 2% CROSS SLOPE UNLESS OTHERWISE INDICATED.
2. DITCH SIDE SLOPES SHALL BE 4:1 UNLESS OTHERWISE INDICATED.
3. DITCH BOTTOM WIDTH SHALL BE 2 FT. UNLESS OTHERWISE INDICATED.
4. FLAT AREA ADJACENT TO CURB SHALL BE 1.5 FT. MINIMUM.
5. FLAT AREA ADJACENT TO SIDEWALK SHALL BE 1.0 FT. MINIMUM.



CUT AREA
 FILL AREA

FILE NAME = R:\09\00-024\PLANS\KEDZIE AVE_CROSS-SECTIONS.dwg	USER NAME =	DESIGNED - GGA/JDH	REVISED - 11/30/09
		DRAWN - GGA/BKL/BJS	REVISED -
	PLOT SCALE = VERT-1"=2' HORIZ-1"=10'	CHECKED - MAW	REVISED -
	PLOT DATE = 11/30/09 - 11:16 by JH	DATE -	REVISED -

STATE OF ILLINOIS
DEPARTMENT OF TRANSPORTATION

KEDZIE AVENUE FROM 153RD ST. TO 159TH ST.
SIDEWALK CONSTRUCTION
CROSS-SECTIONS

SCALE: VERT-1"=2' HORIZ-1"=10' SHEET NO. 11 OF 19 SHEETS STA. 11+50 TO STA. 17+00

F.A.U. RTE. 2831	SECTION 09-00041-00-SW	COUNTY COOK	TOTAL SHEETS 19	SHEET NO. 11
FED. ROAD DIST. NO. 1 ILLINOIS FED. AID PROJECT ARA 9003(395)				

CONTRACT NO. 63421