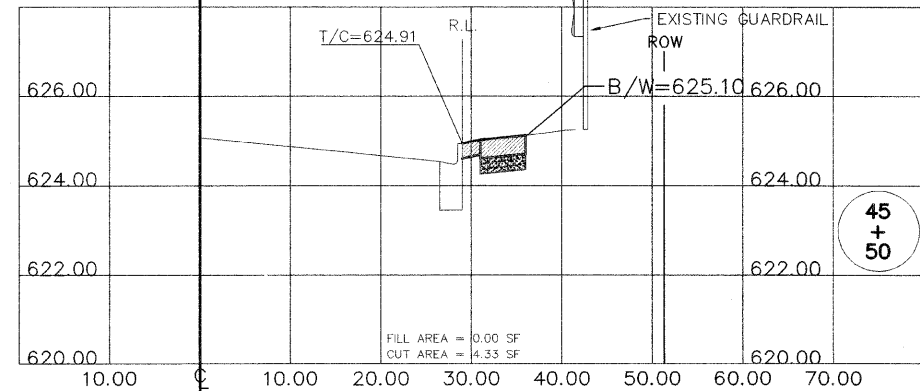
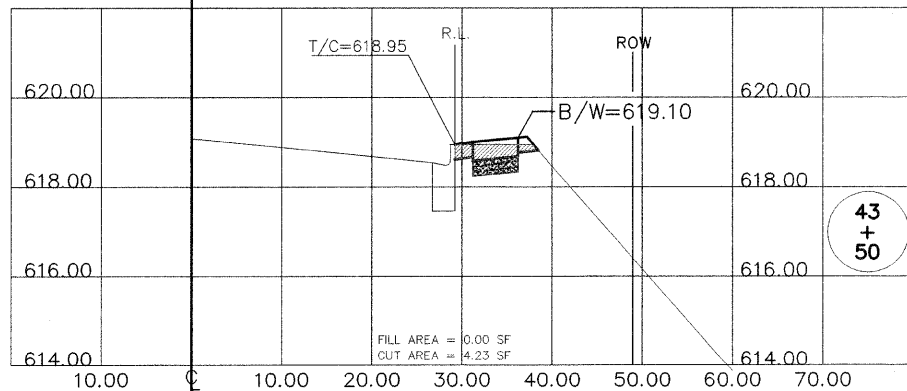
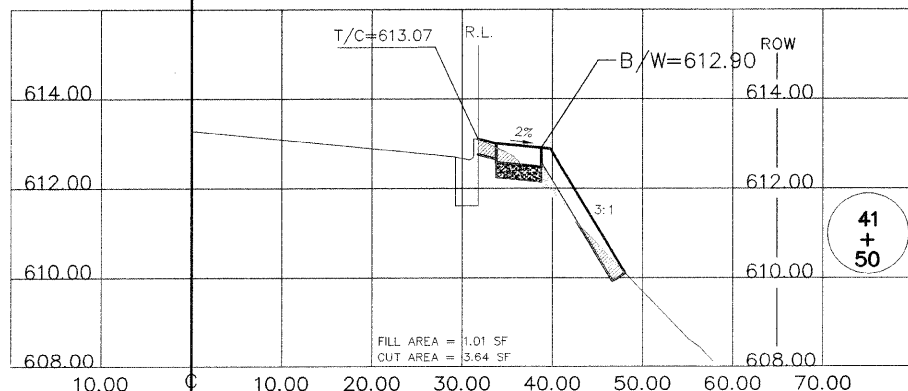
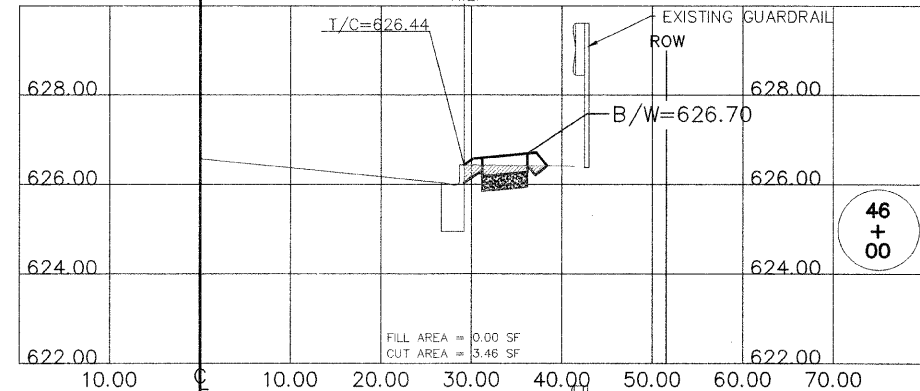
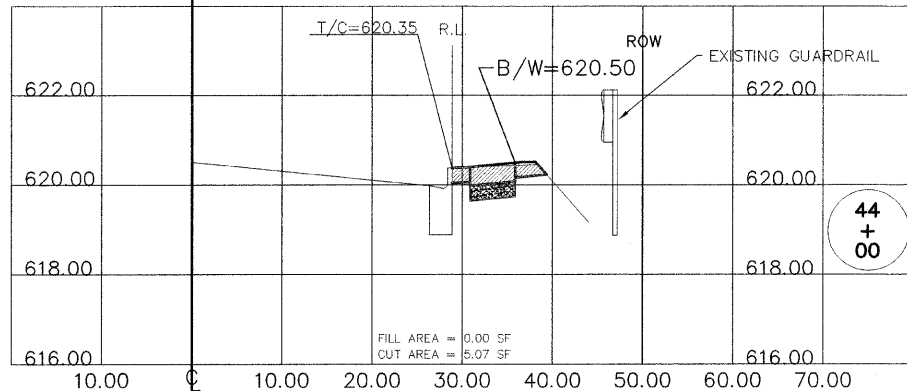
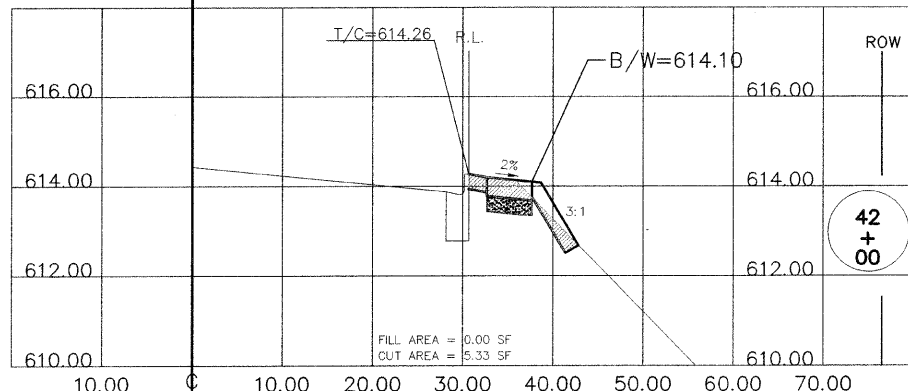
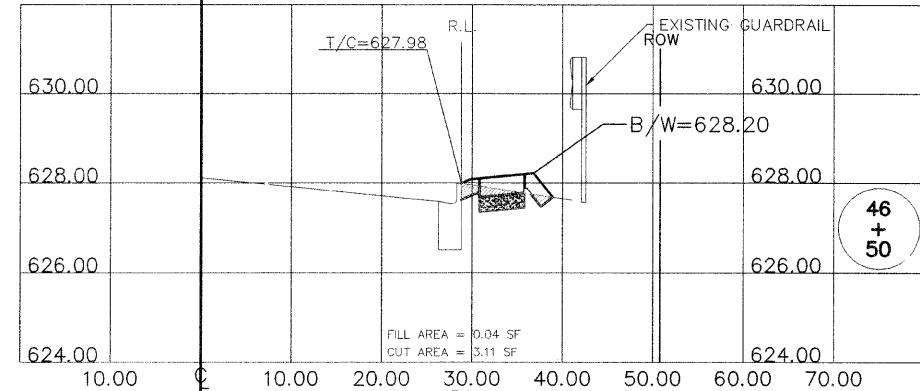
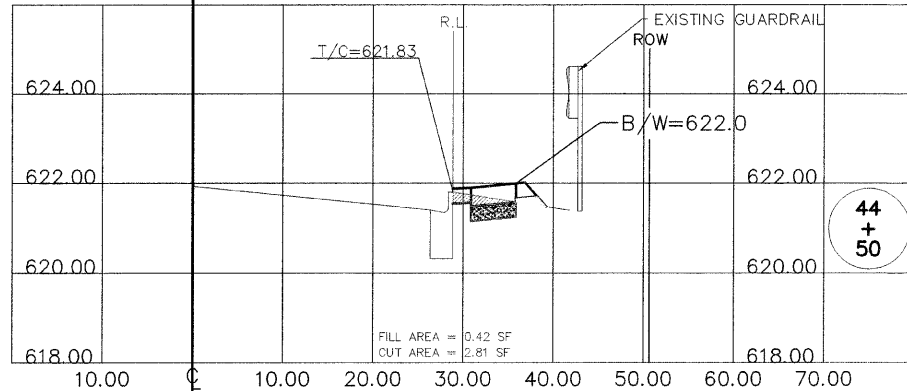
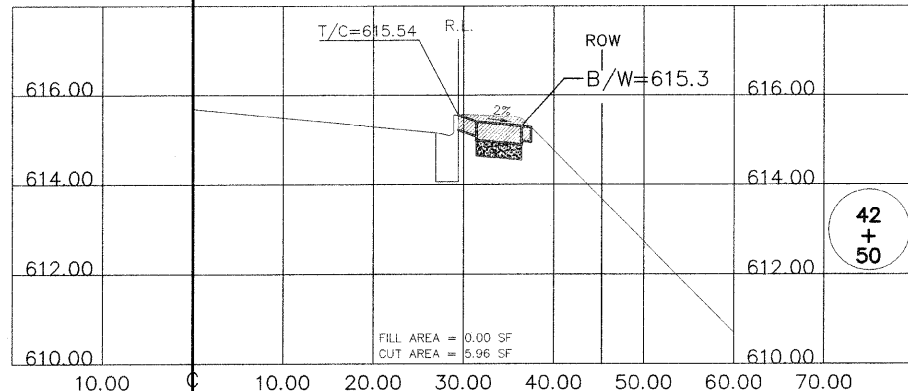
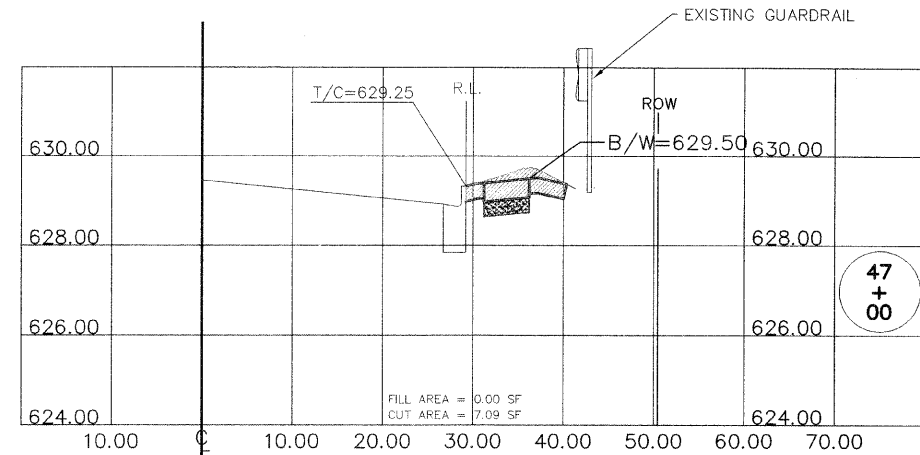
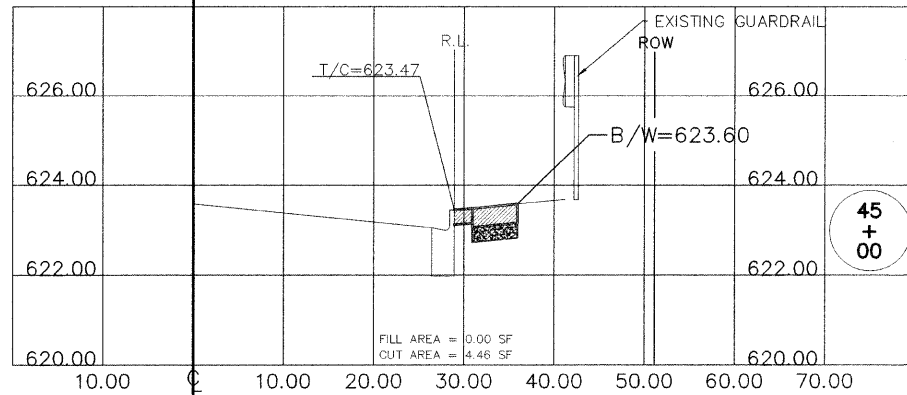
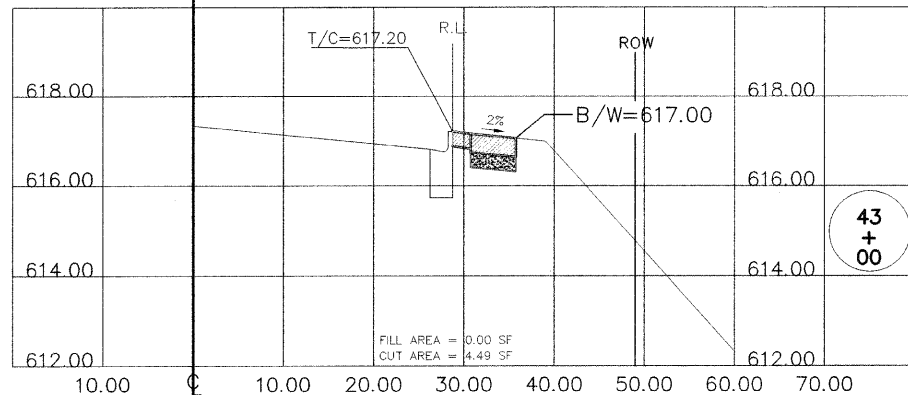


R.L. = REFERENCE LINE THAT RELATES TO THE SIDEWALK OFFSETS INDICATED IN THE PLANS.

NOTES:

- ALL SIDEWALKS AND PARKWAYS SHALL BE 2% CROSS SLOPE UNLESS OTHERWISE INDICATED.
- DITCH SIDE SLOPES SHALL BE 4:1 UNLESS OTHERWISE INDICATED.
- DITCH BOTTOM WIDTH SHALL BE 2 FT. UNLESS OTHERWISE INDICATED.
- FLAT AREA ADJACENT TO CURB SHALL BE 1.5 FT. MINIMUM.
- FLAT AREA ADJACENT TO SIDEWALK SHALL BE 1.0 FT. MINIMUM.



CUT AREA   
 FILL AREA

FILE NAME =	USER NAME =	DESIGNED -- GGA/JDH	REVISED -- 11/30/09
H:\09\09-024\PLANS\KEDZIE AVE_CROSS-SECTIONS.dwg		DRAWN -- GGA/BKL/BJS	REVISED --
	PLOT SCALE = VERT-1"=2' HORIZ-1"=10'	CHECKED -- MAW	REVISED --
	PLOT DATE = 11/30/09 - 11:16 by jf	DATE --	REVISED --

STATE OF ILLINOIS  
DEPARTMENT OF TRANSPORTATION

KEDZIE AVENUE FROM 153RD ST. TO 159TH ST.  
SIDEWALK CONSTRUCTION  
CROSS-SECTIONS

SCALE: VERT-1"=2' HORIZ-1"=10' SHEET NO. 16 OF 19 SHEETS STA. 41+50 TO STA. 47+00

F.A.U. RTE.	SECTION	COUNTY	TOTAL SHEETS	SHEET NO.
2831	09-00041-00-SW	COOK	19	16
FED. ROAD DIST. NO. 1 ILLINOIS			CONTRACT NO. 63421	
FED. AID PROJECT ARA 9003(395)				