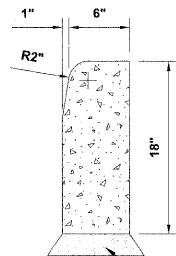


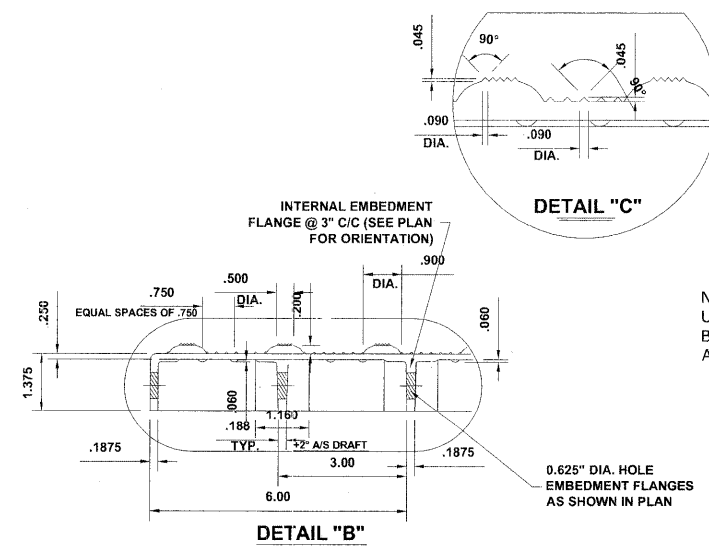
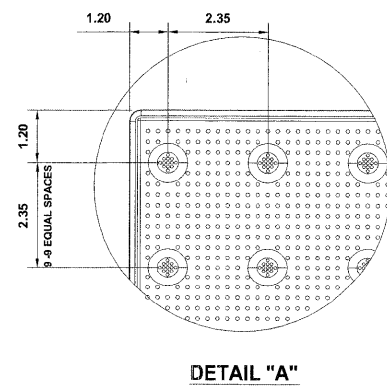
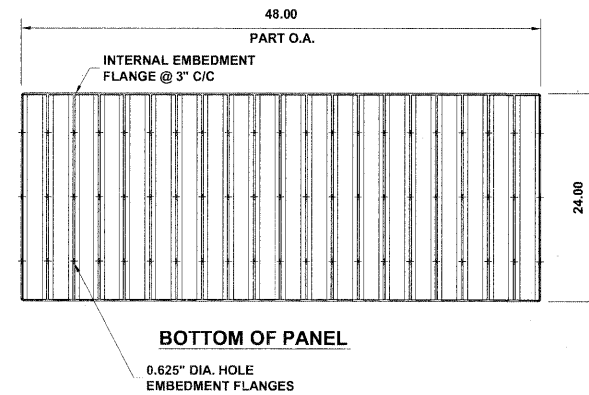
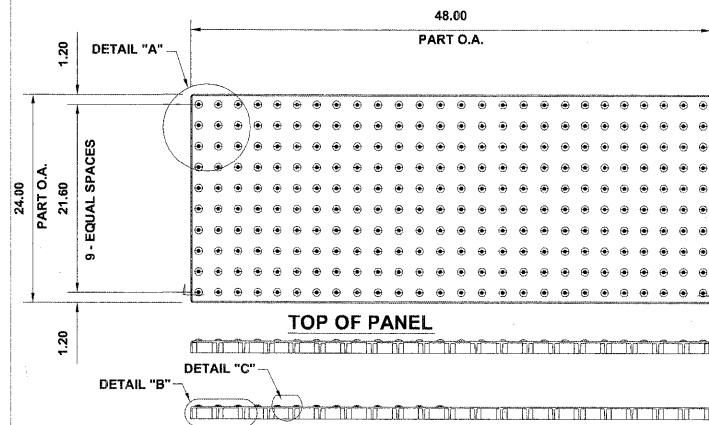
GENERAL NOTES

1. THE EDWIN HANCOCK ENGINEERING COMPANY SHALL BE NOTIFIED AT LEAST TWO (2) WORKING DAYS PRIOR TO COMMENCEMENT OF CONSTRUCTION AT (708) 865-0300.
2. THE VILLAGE OF MAYWOOD PUBLIC WORKS DEPARTMENT SHALL BE NOTIFIED AT LEAST TWO (2) WORKING DAYS PRIOR TO COMMENCEMENT OF CONSTRUCTION AT (708) 450-4482.
3. ALL CONSTRUCTION SHALL BE IN ACCORDANCE WITH THE "STANDARD SPECIFICATIONS FOR SEWER AND WATER MAIN CONSTRUCTION IN ILLINOIS" AND THE "STANDARD SPECIFICATIONS FOR ROAD AND BRIDGE CONSTRUCTION".

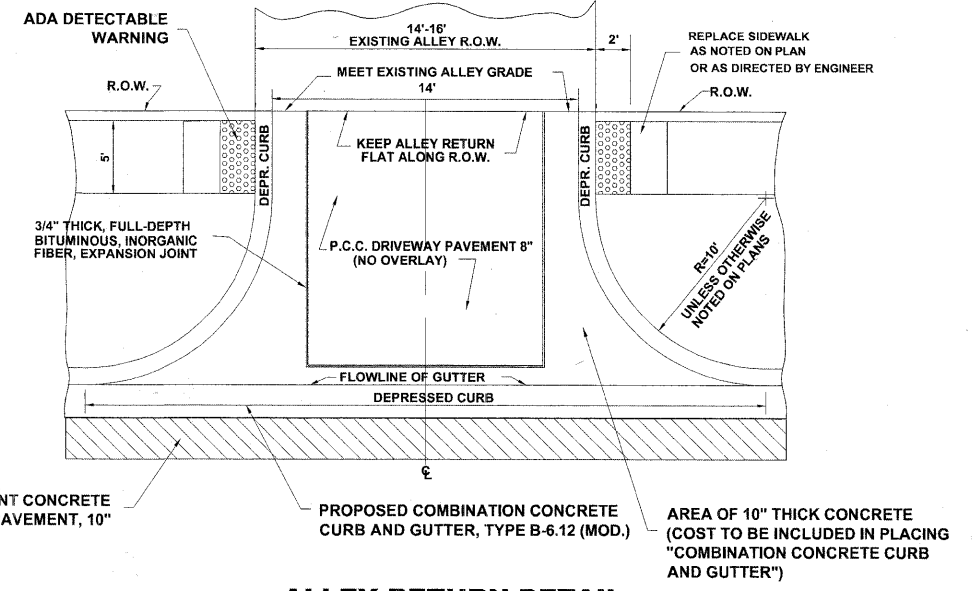


2" CRUSHED STONE BEDDING
(THE COST FOR THIS WORK SHALL BE INCLUDED IN PLACING "CONCRETE CURB, TYPE B")

CONCRETE CURB, TYPE B (MODIFIED)



CAST-IN-PLACE COMPOSITE PAVER TILE FOR DETECTABLE WARNING



ALLEY RETURN DETAIL

NOTE: COMPOSITE PAVER TILE USED SHALL BE AS MANUFACTURED BY ADA SOLUTIONS, INC., OR AS APPROVED BY ENGINEER OR EQUAL.

Drawing file: W:\Projects\66508290 - St. Charles Rd\4_Roadway-Details.dwg Dec. 07, 2009 10:48am

HANCOCK ENGINEERING
Civil Engineers
Municipal Consultants
Established 1911

9513 Roman Rd
Woodbury, Illinois 61581-7106
Phone: 708.865.0300
Fax: 708.865.1212

USER NAME -	DESIGNED - MK/SBC	REVISED -
PLOT SCALE -	DRAWN - MK/LEV	REVISED -
PLOT DATE -	CHECKED - SBC/JG/MV	REVISED -
	DATE - 11-30-09	REVISED -

STATE OF ILLINOIS DEPARTMENT OF TRANSPORTATION

ROADWAY DETAILS

SCALE: NONE SHEET NO. 2 OF 2 SHEETS STA. TO STA.

F.A.U. RTE.	SECTION	COUNTY	TOTAL SHEETS	SHEET NO.
1397	09-00129-00-PV	COOK	103	35
CONTRACT NO. 63428				
FED. ROAD DIST. NO. 1 ILLINOIS FED. AID PROJECT M-9003 (267)				
(BOOK NOS. 1579, 1583, 1589) E.H.E PROJECT NO. 565-08-29001				