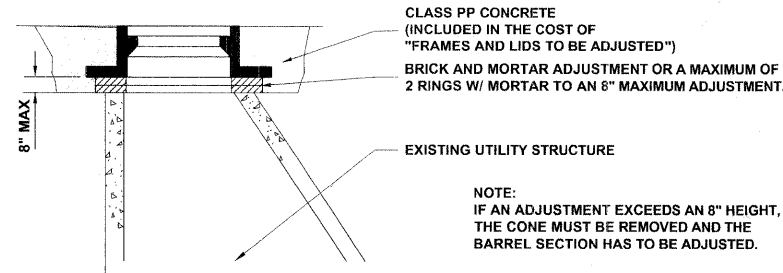
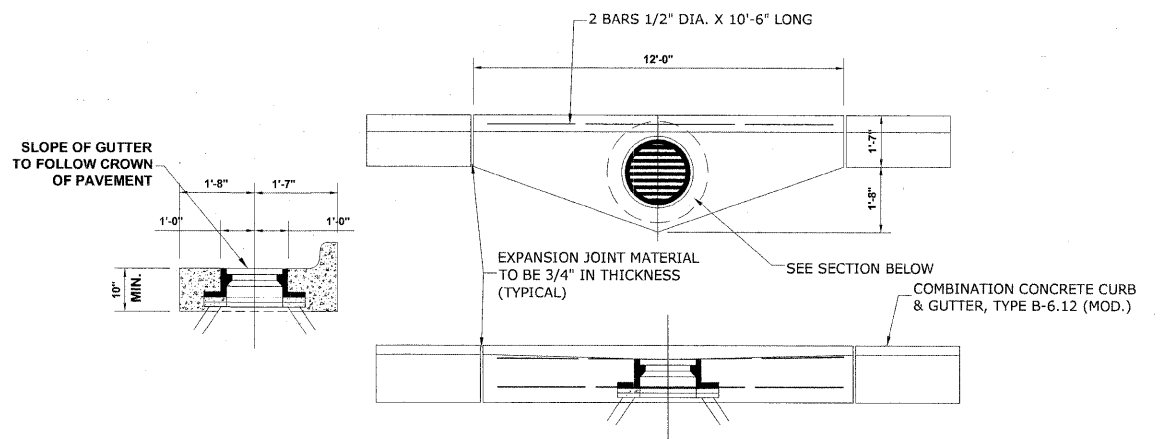


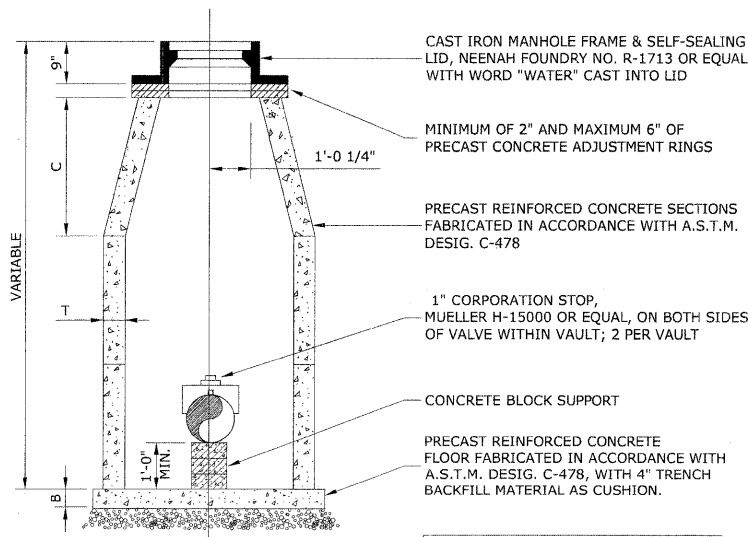
**PROPOSED MANHOLE INSTALLED ON EXISTING SEWER MAIN**



**TYPE 1 FRAME ADJUSTMENT**

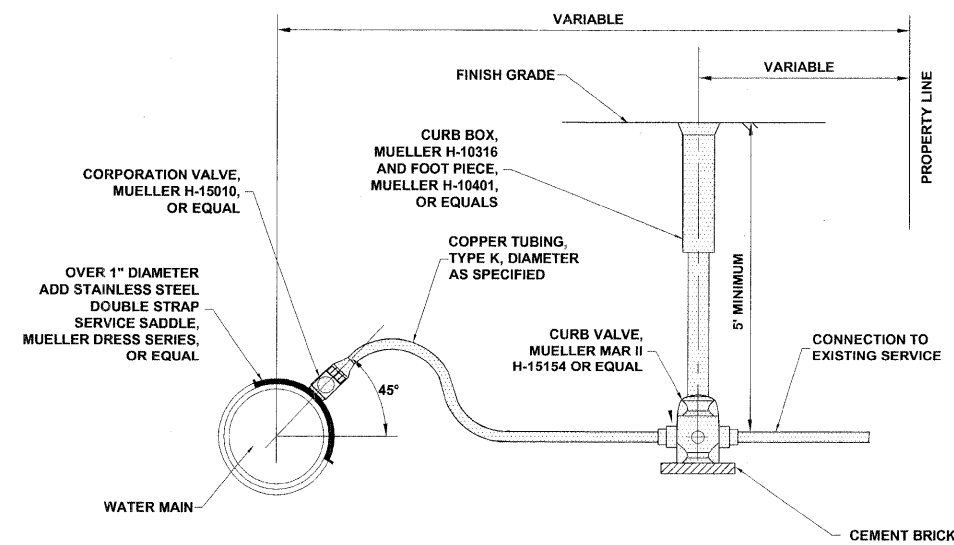


**GUTTER DETAIL AT DRAINAGE STRUCTURE**

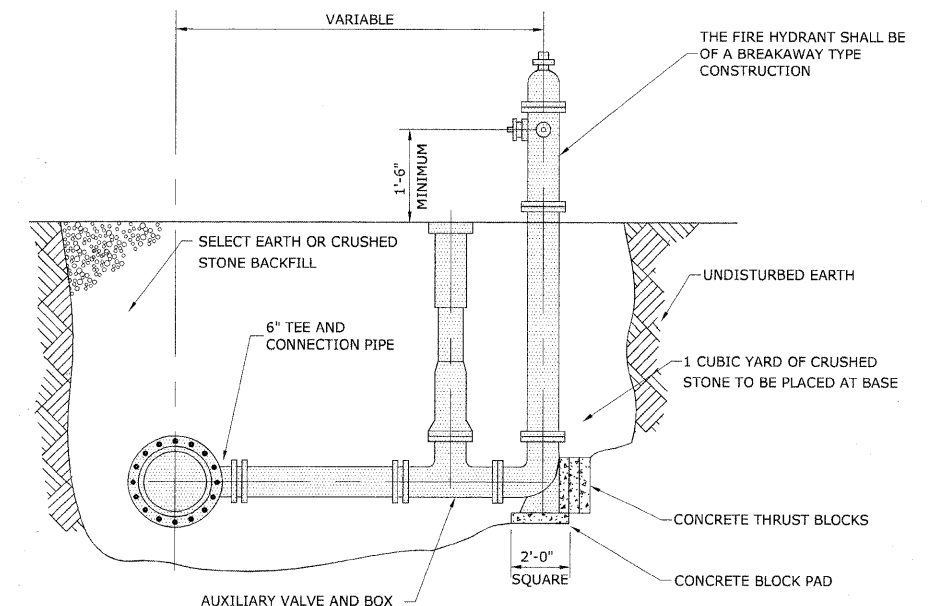


DIMENSIONS			
D	C	T(MIN.)	B
4'-0"	2'-6"	4"	6"
5'-0"	3'-9"	5"	8"

**STANDARD VALVE VAULT DETAIL**



**WATER SERVICE DETAIL**



**FIRE HYDRANT DETAIL**

Drawing file: W:\Projects\65082900 - St. Charles Rd\49\_Drainage-Details.dwg Dec 07, 2009 - 10:51am