

**M.W.R.D.G.C. GENERAL NOTES**

1. THE MWRD SEWER SYSTEMS SECTION FIELD OFFICE MUST BE NOTIFIED AT LEAST TWO (2) WORKING DAYS PRIOR TO THE COMMENCEMENT OF WORK AT (708) 588-4055.
2. ELEVATION DATUM IS U.S.G.S.
3. ALL FLOOR DRAINS SHALL DISCHARGE TO THE SANITARY SEWER SYSTEM.
4. ALL DOWNSPOUTS AND FOOTING DRAINS SHALL DISCHARGE INTO THE STORM SEWER SYSTEM.
5. ALL PVC STORM SEWER PIPE JOINTS SHALL CONFORM TO ASTM D-3139. ALL PVC SEWER PIPE 12" IN DIAMETER OR LESS SHALL CONFORM TO ASTM D-2241 (WATER QUALITY PIPE). ALL PVC SEWER PIPE SHALL BE SDR 26.
6. ALL D.I.P. STORM, COMBINED AND SANITARY SEWER PIPE JOINTS SHALL CONFORM TO ASTM A-21.11. ALL D.I.P. SEWER PIPE SHALL CONFORM TO ASTM A-21.51. ALL D.I.P. SEWER PIPE SHALL BE CLASS 52.
7. ALL SANITARY, COMBINED, AND STORM SEWER CONSTRUCTION IN COMBINED SEWER AREAS, REQUIRES STONE BEDDING 1/4" TO 1" IN SIZE, WITH A MINIMUM THICKNESS EQUAL TO 1/4 THE OUTSIDE DIAMETER OF THE SEWER PIPE, BUT NOT LESS THAN FOUR INCHES (4") NOR MORE THAN EIGHT INCHES (8"). MATERIAL SHALL BE CA-11 OR CA-13 AND SHALL BE EXTENDED AT LEAST 12" ABOVE THE TOP OF THE PIPE.
8. "BAND SEAL" OR SIMILAR FLEXIBLE-TYPE COUPLINGS SHALL BE USED IN THE CONNECTION OF SEWER PIPE OF DISSIMILAR MATERIALS.
9. WHEN CONNECTING TO AN EXISTING SEWER MAIN BY MEANS OTHER THAN AN EXISTING WYE, TEE, OR AN EXISTING MANHOLE, ONE OF THE FOLLOWING METHODS SHALL BE USED:
  - a) CIRCULAR SAW-CUT OF SEWER MAIN BY PROPER TOOLS ("SEWER TAP" MACHINE, OR SIMILAR) AND PROPER INSTALLATION OF HUB-WYE SADDLE OR HUB-TEE SADDLE.
  - b) REMOVE AN ENTIRE SECTION OF PIPE (BREAKING ONLY THE TOP OF ONE BELL) AND REPLACE WITH A WYE OR TEE BRANCH SECTION. AFTER THE WYE OR TEE BRANCH IS INSERTED, CONCRETE SHALL BE PLACED OVER THE BROKEN AREA TO A MINIMUM THICKNESS OF 4" AND TO A DIMENSION OF 8" IN ALL DIRECTIONS.
  - c) USING PIPE CUTTER, NEATLY AND ACCURATELY CUT OUT DESIRED LENGTH OF PIPE FOR INSERTION OF PROPER FITTING. USE "BAND SEAL" OR SIMILAR COUPLINGS TO HOLD FIRMLY IN PLACE. FOLLOW MANUFACTURER'S RECOMMENDATIONS FOR THE INSTALLATION.
10. WHEREVER A SEWER CROSSES UNDER A WATER MAIN, THE MINIMUM VERTICAL DISTANCE FROM THE TOP OF THE SEWER TO THE BOTTOM OF THE WATER MAIN SHALL BE 18 INCHES. FURTHERMORE, A MINIMUM HORIZONTAL DISTANCE OF 10 FEET BETWEEN SANITARY/COMBINED SEWERS AND WATER MAINS SHALL BE MAINTAINED UNLESS: THE SEWER IS LAID IN A SEPARATE TRENCH, KEEPING A MINIMUM 18" VERTICAL SEPARATION; OR THE SEWER IS LAID IN THE SAME TRENCH WITH THE WATER MAIN LOCATED AT THE OPPOSITE SIDE ON A BENCH OF UNDISTURBED EARTH, KEEPING A MINIMUM 18" VERTICAL SEPARATION. IF EITHER THE VERTICAL OR HORIZONTAL DISTANCES DESCRIBED ABOVE CANNOT BE MAINTAINED, OR THE SEWER CROSSES ABOVE THE WATER MAIN, THE SEWER SHALL BE CONSTRUCTED TO WATER MAIN STANDARDS.
11. ALL SANITARY MANHOLES, (AND STORM MANHOLES IN COMBINED SEWER AREAS), SHALL HAVE A MINIMUM INSIDE DIAMETER OF 48 INCHES, AND SHALL BE PRE-CAST REINFORCED CONCRETE.
12. ALL ABANDONED SEWERS SHALL BE PLUGGED AT BOTH ENDS WITH A MINIMUM OF TWO (2) FEET LONG, NON-SHRINK CONCRETE/MORTAR PLUG.
13. ALL INLET AND OUTLET PIPES OF SANITARY SEWER MANHOLES AND OTHER UNDERGROUND STRUCTURES (AND IN COMBINED SEWER AREAS, ALSO ALL COMBINED/STORM SEWER MANHOLES, CATCH BASINS, INLETS, AND UNDERGROUND DETENTION STORAGE STRUCTURES) SHALL BE JOINED WITH WATERTIGHT FLEXIBLE RUBBER CONNECTORS CONFORMING TO A.S.T.M. C-443 & C-923 WITH STAINLESS STEEL BANDS.
14. THE MAXIMUM ALLOWABLE INFILTRATION OR EXFILTRATION IS 100 GAL/DAY/MILE/INCH DIA OF THE SEWER PIPE.

**DRAINAGE AND UTILITIES NOTES**

THE LOCATIONS OF EXISTING DRAINAGE STRUCTURES, STORM SEWERS, COMBINED SEWERS, TELEPHONE LINES, COMMUNICATION LINES, ELECTRIC LINES, GAS MAINS, AND WATER SERVICES ARE APPROXIMATE AND THEIR SPECIFIC LOCATIONS ARE TO BE DETERMINED IN THE FIELD AT NO COMPENSATION TO THE CONTRACTOR.

COORDINATION OF ALL UTILITY WORK INVOLVED WITHIN THE CONSTRUCTION AREAS SHALL BE SUBJECT TO DISCUSSION AND CLARIFICATION AT A PRECONSTRUCTION MEETING.

WHEN EXISTING DRAINAGE FACILITIES ARE DISTURBED, THE CONTRACTOR SHALL PROVIDE AND MAINTAIN TEMPORARY OUTLETS AND CONNECTIONS FOR ALL PRIVATE OR PUBLIC DRAINAGE STRUCTURES OR SEWERS UNTIL PERMANENT CONNECTIONS TO SEWERS ARE BUILT AND IN SERVICE. THIS WORK SHALL NOT BE PAID FOR DIRECTLY, BUT SHALL BE CONSIDERED INCIDENTAL TO THE CONTRACT.

WHEN, DURING CONSTRUCTION OPERATIONS, ANY LOOSE MATERIALS ARE DEPOSITED IN THE FLOW LINES OF GUTTERS OR DRAINAGE STRUCTURES SO THAT THE NATURAL FLOW OF WATER IS OBSTRUCTED, THE OBSTRUCTING MATERIALS SHALL BE REMOVED AT THE CLOSE OF EACH WORK DAY. AT THE CONCLUSION OF THE CONSTRUCTION OPERATIONS, ALL DRAINAGE STRUCTURES ARE TO BE FREE OF ALL DIRT, DEBRIS, AND OBSTRUCTING MATERIALS. THE WORK SPECIFIED ABOVE WILL NOT BE PAID FOR SEPARATELY, BUT SHALL BE CONSIDERED AS INCIDENTAL TO THE CONTRACT.

ALL COSTS INVOLVED IN CONNECTING OF PROPOSED STORM SEWERS AND STORM STRUCTURES TO EXISTING STORM SEWERS OR PROPOSED STORM SEWERS SHALL BE CONSIDERED INCLUDED IN THE COST OF PROPOSED ITEMS BEING CONSTRUCTED.

ALL PROPOSED WATER MAINS SHALL BE INSTALLED IN ACCORDANCE WITH IN THE "STANDARD SPECIFICATIONS FOR WATER AND SEWER MAIN CONSTRUCTION IN ILLINOIS", FIFTH EDITION, DATED 1996, AND ALL REVISIONS THERETO.

THE CONTRACTOR SHALL VERIFY THE TYPE OF ALL WATER MAIN HARDWARE INCLUDING VALVES, FIRE HYDRANTS, VALVE BOXES, CORPORATION STOPS, CURB STOPS, AND WATER SERVICES BOXES WITH THE UTILITY SUPERINTENDENT PRIOR TO ORDERING SUCH MATERIAL.

THE TYPE OF FRAMES AND GRATES REQUIRED FOR ALL CATCH BASINS AND MANHOLES LISTED IN THE SUMMARY OF QUANTITIES MAY BE FOUND ON THE PLANS AT THEIR RESPECTIVE LOCATIONS. WHERE LIDS ARE CALLED FOR ON THE PLANS, THEY SHALL BE IN ACCORDANCE WITH ARTICLE 604.01 OF THE STANDARD SPECIFICATIONS AND THE TERM LID IS USED IN LIEU OF GRATE.

ON ALL IMPROVEMENTS, THE FRAMES AND LIDS OF EXISTING CATCH BASINS, INLETS, MANHOLES, AND VALVE VAULTS WHICH ARE TO BE ABANDONED DUE TO CONSTRUCTION OF THIS IMPROVEMENT ARE TO REMAIN THE PROPERTY OF THE VILLAGE OF MAYWOOD AND BE SALVAGED. THE CONTRACTOR IS TO DELIVER FRAMES AND LIDS TO THE VILLAGE OF MAYWOOD PUBLIC WORKS YARD LOCATED AT 40 MADISON STREET.

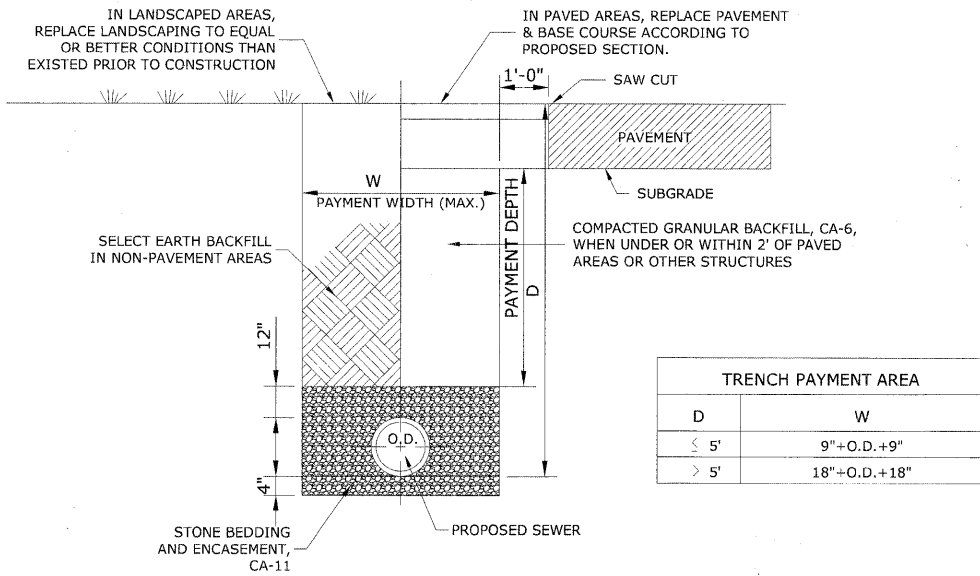
ANY COSTS FOR SHEETING OR SHORING REQUIRED FOR THE STORM SEWER INSTALLATION OR OTHER CONSTRUCTION ELEMENTS REQUIRING RELATIVELY DEEP EXCAVATIONS SHALL BE INCLUDED IN THE PARTICULAR PAYMENT ITEM AND NO ADDITIONAL COMPENSATION WILL BE ALLOWED FOR ANY SUPPLEMENTAL WORK ASSOCIATED WITH THE MAINTENANCE OF TRENCH SIDES OR OTHER EXCAVATED AREAS.

UNLESS OTHERWISE SPECIFIED, ABANDONED SEWERS AND DRAINS, AS DESIGNATED BY THE ENGINEER, SHALL BE PLUGGED WITH CLASS "SI" CONCRETE OR BRICK AND SUITABLE MORTAR TO THE SATISFACTION OF THE ENGINEER. THIS WORK SHALL NOT BE PAID FOR SEPARATELY, BUT SHALL BE INCLUDED IN THE PAY ITEMS FOR REMOVING AND/OR FILLING THE VARIOUS TYPES OF STRUCTURES.

SEWER PIPE INSTALLED ON THIS PROJECT SHALL CONFORM TO THE FOLLOWING STANDARD:

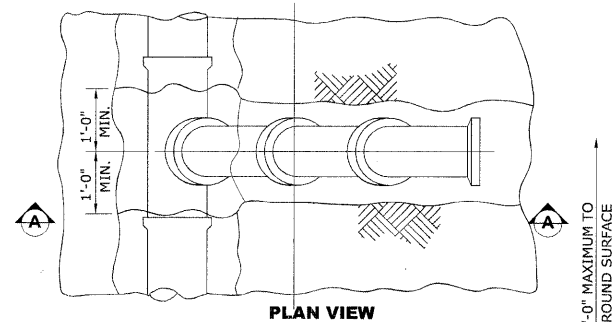
TYPE OF PIPE	MATERIAL STANDARD	JOINT STANDARD
REINFORCED CONCRETE PIPE	ASTM C-76	ASTM C-443
POLYVINYLCHLORIDE PIPE, SDR 26	ASTM D-2241	ASTM D-3139
DUCTILE IRON PIPE, CLASS 52	ASTM A-21.51	ASTM A-21.11

FINAL ADJUSTMENT OF ALL STRUCTURES IN THE PAVEMENT, INCLUDING THOSE IN THE PROPOSED BASE COURSE, SHALL NOT BE COMPLETED UNTIL AFTER THE PLACEMENT OF THE BITUMINOUS CONCRETE BINDER COURSE ON 19TH AVE. (NORTH AND SOUTH) AND 9TH AVE. (SOUTH).

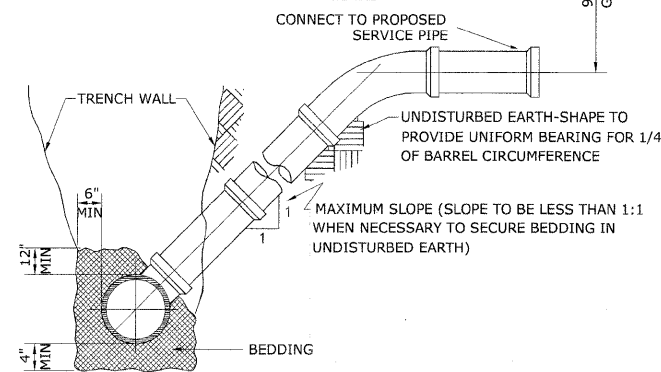


TRENCH PAYMENT AREA	
D	W
≤ 5'	9"+O.D.+9"
> 5'	18"+O.D.+18"

**TYPICAL SEWER TRENCH DETAIL**



**PLAN VIEW**



**SECTION A-A VIEW**

**TYPICAL RISER FOR SERVICE LATERAL**

Drawing file: W:\Projects\05002900 - St. Charles Rd\49\_Drainage-Details.dwg Dec 07, 2009 - 3:04pm

**HANCOCK ENGINEERING**  
 Civil Engineers  
 Municipal Consultants  
 Established 1911

9933 Riverchase Road  
 Westchester, Illinois 60152-2780  
 Phone: 708-665-0300  
 Fax: 708-665-1212

USER NAME -	DESIGNED - MK/SBC	REVISED -
PLOT SCALE -	DRAWN - MK/LEV	REVISED -
PLOT DATE -	CHECKED - SBC/JG/MV	REVISED -
	DATE - 11-30-09	REVISED -

**STATE OF ILLINOIS  
 DEPARTMENT OF TRANSPORTATION**

**DRAINAGE AND UTILITIES DETAILS**

SCALE: NONE SHEET NO. 4 OF 4 SHEETS STA. TO STA.

F.A.U. RTE.	SECTION	COUNTY	TOTAL SHEETS	SHEET NO.
1397	09-00129-00-PV	COOK	103	51
CONTRACT NO. 63428				
FED. ROAD DIST. NO. 1 ILLINOIS FED. AID PROJECT M-9003 (267)				
(BOOK NOS. 1579, 1583, 1589) E.H.E PROJECT NO. 565-08-29001				