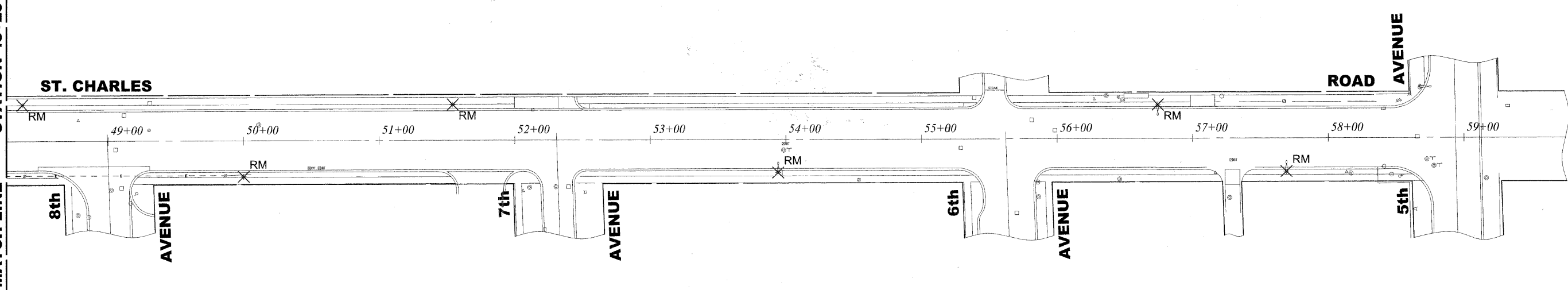




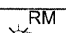




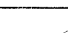

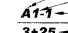
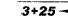


STATION 48+25
MATCH LINE



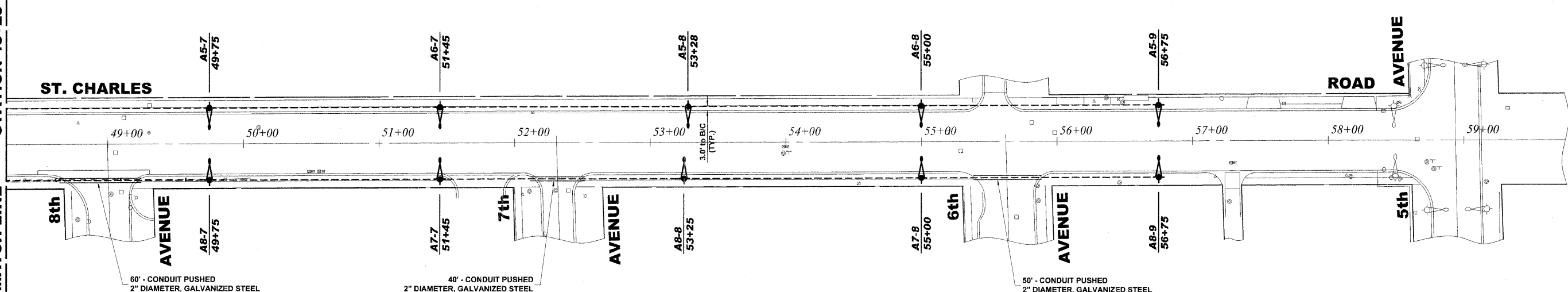
EXISTING TOPOGRAPHY

LEGEND OF SYMBOLS

	EXISTING POST TOP LIGHT POLE AND FIXTURE TO BE REMOVED		EXISTING OVERHEAD WIRING
	EXISTING LIGHT POLE AND FIXTURE TO BE REMOVED		PROPOSED UNIT DUCT WITH 3-1/C No.6 & 1-1/C No.8 GROUND, 600V (XLP-(TYPE USE)), 1" DIAMETER OR AS NOTED, BORED & PULLED
	PROPOSED 35' MH POLE WITH 6' ARM & 250 WATT METAL HALIDE LAMP		PROPOSED GALVANIZED STEEL CONDUIT IN TRENCH OR PUSHED AS NOTED
	PROPOSED CONTROL CENTER		CONTROLLER IDENTIFICATION (TYP.)
			CIRCUIT NUMBER (TYP.)
			POLE NUMBER (TYP.)
			STATION NUMBER (TYP.)



STATION 48+25
MATCH LINE



PROPOSED IMPROVEMENT

Drawing file: W:\Projects\36508290 - St. Charles Rd\36508290 - St. Charles Lighting.dwg Nov 30, 2009 - 2:53pm

HANCOCK ENGINEERING
 Civil Engineers
 Municipal Consultants
 Established 1911

9931 Riverchase Road
 Westchester, Illinois 60591-2700
 Phone: 708.661.8800
 Fax: 708.661.1212

USER NAME -	DESIGNED - MK/SBC	REVISED -
PLOT SCALE -	DRAWN - MK/LEV	REVISED -
PLOT DATE -	CHECKED - SBC/JG/MV	REVISED -
	DATE - 11-30-09	REVISED -

STATE OF ILLINOIS DEPARTMENT OF TRANSPORTATION

ILLUMINATION PLAN
 SCALE: 1" = 40'
 SHEET NO. 5 OF 5 SHEETS
 STA. 48+25 TO STA. 58+40

F.A.U. RTE. 1397	SECTION 09-00129-00-PV	COUNTY COOK	TOTAL SHEETS 103	SHEET NO. 56
FED. ROAD DIST. NO. 1 ILLINOIS FED. AID PROJECT M-9003 (267)			CONTRACT NO. 63428	
(BOOK NOS. 1579, 1583, 1589) E.H.E PROJECT NO. 565-08-29001				