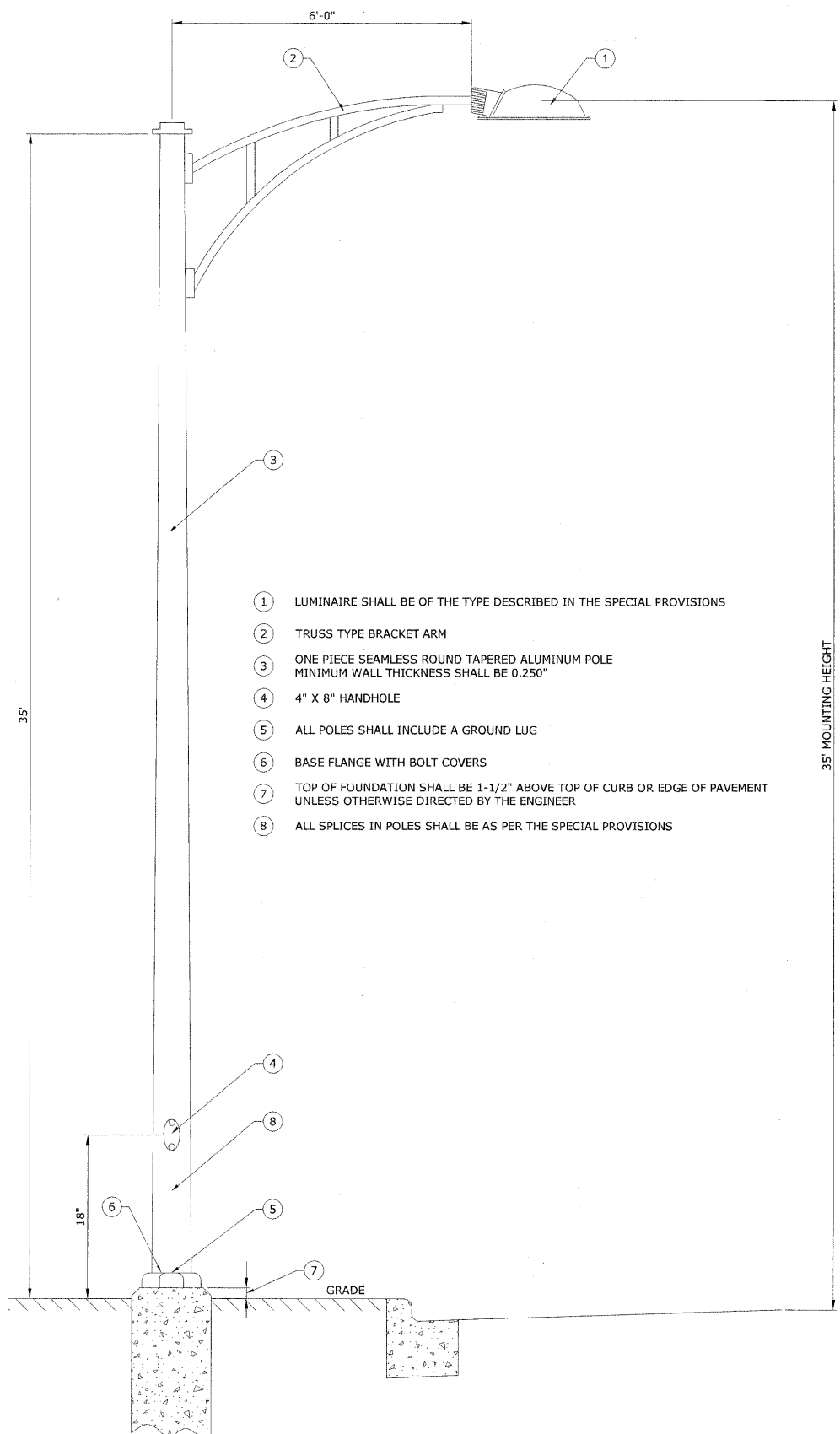
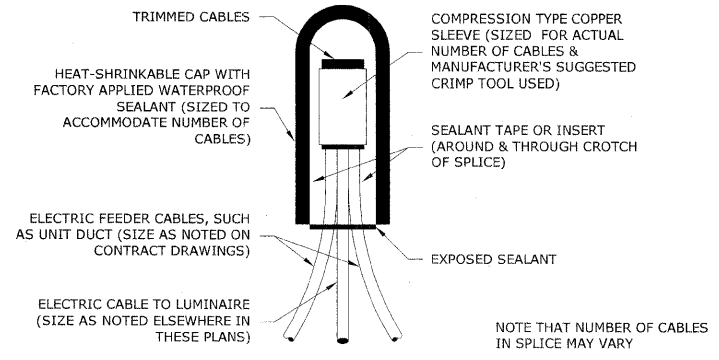


Drawing file: W:\Projects\65508290 - St. Charles Rd\69\_St. Charles Lighting-Details.dwg Nov. 30, 2009 - 2:47pm

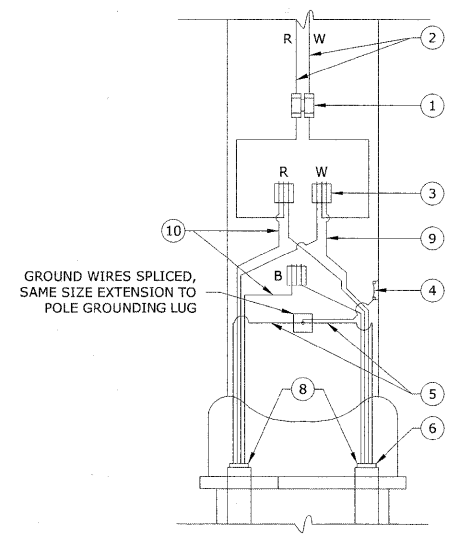


**LIGHT POLE, ALUMINUM,  
35' MOUNTING HEIGHT WITH 1 - 6' MAST ARM**

- ① LUMINAIRE SHALL BE OF THE TYPE DESCRIBED IN THE SPECIAL PROVISIONS
- ② TRUSS TYPE BRACKET ARM
- ③ ONE PIECE SEAMLESS ROUND TAPERED ALUMINUM POLE MINIMUM WALL THICKNESS SHALL BE 0.250"
- ④ 4" X 8" HANDHOLE
- ⑤ ALL POLES SHALL INCLUDE A GROUND LUG
- ⑥ BASE FLANGE WITH BOLT COVERS
- ⑦ TOP OF FOUNDATION SHALL BE 1-1/2" ABOVE TOP OF CURB OR EDGE OF PAVEMENT UNLESS OTHERWISE DIRECTED BY THE ENGINEER
- ⑧ ALL SPLICES IN POLES SHALL BE AS PER THE SPECIAL PROVISIONS



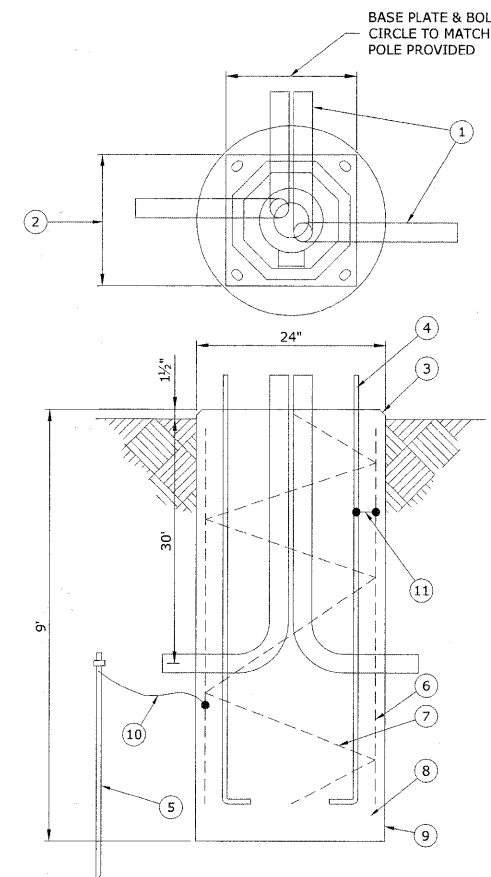
**SPLICING ELECTRIC CABLES  
BASIC MATERIALS AND METHODS**



- ① STANDARD-TYPE SMALL DIMENSION DOUBLE POLE FUSEHOLDER WITH INSULATED BOOTS, FUSING AND SOLID NEUTRAL. (SEE SPECS)
- ② 2-1/2 #10 AWG, 600V TYPE RHW, SOLID COLOR CODED CABLES
- ③ SPLICE AS SPECIFIED
- ④ 3/8" - 16 TAPPED HOLE BE PROVIDED FOR GROUND LUG
- ⑤ INSULATED GROUND WIRE, 600V TYPE RHW, SOLID COLOR GREEN, SIZE AS SPECIFIED
- ⑥ UNIT DUCT
- ⑦ 3" P.V.C. CONDUIT RACEWAYS
- ⑧ ENDS OF THE UNIT DUCT SHALL BE SEALED AGAINST THE ENTRANCE OF WATER
- ⑨ NEUTRAL CONDUCTOR, 600V TYPE RHW, SOLID COLOR WHITE, SIZE AS SPECIFIED
- ⑩ PHASE CONDUCTORS, 600V TYPE RHW, SOLID COLOR, SIZE AS SPECIFIED

NOTE:  
ALLOW 30" LOOP OF CABLES TO INSURE SUFFICIENT SLACK FOR WITHDRAWAL OF THE CONNECTORS OUTSIDE OF THE POLE HANDHOLE.

**POLE HANDHOLE WIRING DIAGRAM**



- ① DUAL 3" DIA. P.V.C. ELBOW RACEWAYS. EITHER PARALLEL OR OPPOSITE EACH OTHER AS SHOWN ON PLAN SHEETS.
- ② MANUFACTURER TO FURNISH TEMPLATE DRAWING FOR SETTING OF ANCHOR BOLTS.
- ③ 1" CHAMFER
- ④ 4 - 1" x 60" STEEL ANCHOR BOLTS, TOP 10" THREADED AND GALVANIZED.
- ⑤ 5/8" x 10' GROUND ROD CONNECTED TO GROUND WIRE WITH EXOTHERMIC WELD AT ALL POLE LOCATIONS.
- ⑥ 8 - #5 REINFORCING BARS EQUALLY SPACED AROUND AN 18" DIA. CIRCLE
- ⑦ #4 SPIRAL TIE BARS WITH 6" PITCH
- ⑧ CLASS SI CONCRETE
- ⑨ FOUNDATION LOCATIONS AS SHOWN ON PLAN SHEETS.
- ⑩ No. 2/0 BARE COPPER GROUND WIRE TO GROUND ROD AND REINFORCING BARS WITH EXOTHERMIC WELD.
- ⑪ No. 2/0 BARE COPPER GROUND WIRE TO GROUND ROD WITH EXOTHERMIC WELD.

**CONCRETE LIGHT POLE FOUNDATION**

**HANCOCK ENGINEERING**  
Civil Engineers  
Municipal Consultants  
Established 1911

USER NAME -	DESIGNED - MK/SBC	REVISED -
PLOT SCALE -	DRAWN - MK/LEV	REVISED -
PLOT DATE -	CHECKED - SBC/JG/MV	REVISED -
	DATE - 11-30-09	REVISED -

**STATE OF ILLINOIS  
DEPARTMENT OF TRANSPORTATION**

**ILLUMINATION DETAILS**

SCALE: NONE SHEET NO. 1 OF 2 SHEETS STA. TO STA.

F.A.U. RTE.	SECTION	COUNTY	TOTAL SHEETS	SHEET NO.
1397	09-00129-00-PV	COOK	103	59
CONTRACT NO. 63428				
FED. ROAD DIST. NO. 1 ILLINOIS FED. AID PROJECT M-9003 (267)				
(BOOK NOS. 1579, 1583, 1589) E.H.E PROJECT NO. 565-08-28001				