

LANDSCAPING NOTES

SODDING:

ALL DISTURBED AREAS INDICATED ON CROSS SECTION OR LANDSCAPING PLANS TO BE SODDED, INCLUDING FERTILIZER NUTRIENTS*, AND SUPPLEMENTAL WATERING WHICH IS TO BE USED AFTER THE INITIAL WATERING (AS SPECIFIED AND AS DIRECTED BY THE ENGINEER) AT THE RATE OF 10 GALLONS PER SQUARE YARD SODDING. SODDED SLOPES WHICH ARE 2:1 OR STEEPER SHALL BE STAKED. (PROVIDE A 3" STRIP AROUND CATCH BASINS IN SEEDDED AREAS).

4" TOP SOIL LAYER:

SOIL SHALL BE SPREAD AS INDICATED ON THE TYPICAL CROSS SECTIONS.

FERTILIZER NUTRIENTS* FOR SODDING:

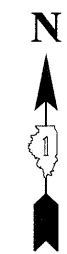
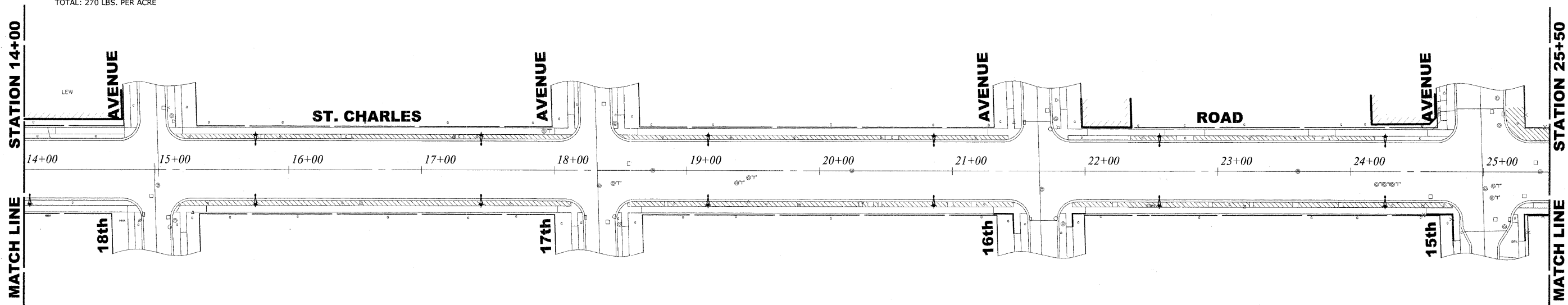
USE A FERTILIZER WITH A 1:1:1 RATIO PER ACRE:

- 90 LBS. NITROGEN FERTILIZER NUTRIENT
- 90 LBS. PHOSPHORUS FERTILIZER NUTRIENT
- 90 LBS POTASSIUM FERTILIZER NUTRIENT

TOTAL: 270 LBS. PER ACRE

LEGEND OF SYMBOLS

SYMBOL	DESCRIPTION
	PROPOSED CONCRETE AREA
	PROPOSED HOT MIX ASPHALT AREA
	PROPOSED SODDED PARKWAY



Drawing file: W:\Projects\565082900 - St. Charles Rd\61_ST. Charles 40 Scale.dwg Dec. 08, 2009 - 10:05am

HANCOCK ENGINEERING
 Civil Engineers
 Municipal Consultants
 Established 1911

9913 Riverhill Road
 Westchester, Illinois 60154-2780
 Phone: 708/681-0100
 Fax: 708/681-1212

USER NAME -	DESIGNED - MK/SBC	REVISED -
PLOT SCALE -	DRAWN - MK/LEV	REVISED -
PLOT DATE -	CHECKED - SBC/JGMV	REVISED -
	DATE - 11-30-09	REVISED -

**STATE OF ILLINOIS
 DEPARTMENT OF TRANSPORTATION**

ASPHALT AND LANDSCAPING PLAN

SCALE: 1" = 40' SHEET NO. 1 OF 3 SHEETS STA. 3+50 TO STA. 25+50

F.A.U. RTE.	SECTION	COUNTY	TOTAL SHEETS	SHEET NO.
1397	09-00129-00-PV	COOK	103	69
CONTRACT NO. 6342B				
FED. ROAD DIST. NO. 1 ILLINOIS			FED. AID PROJECT M-9003 (267)	

(BOOK NOS. 1579, 1583, 1589) E.H.E PROJECT NO. 565-08-29001