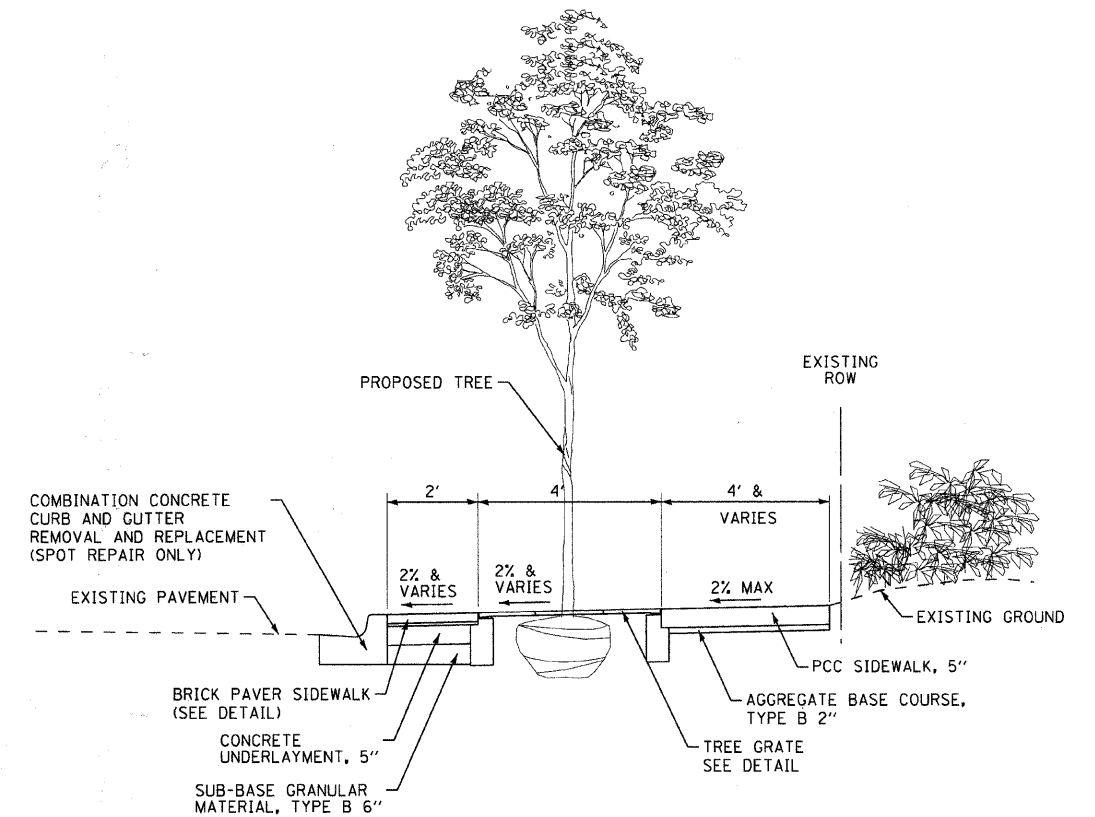


EXISTING TYPICAL SECTION
NOT TO SCALE

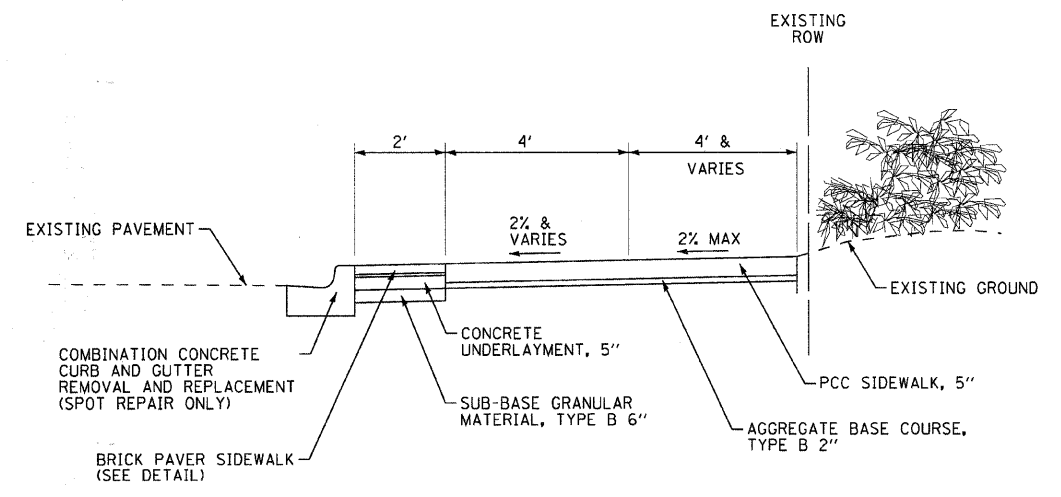


PROPOSED TYPICAL SECTION
NOT TO SCALE

HOT-MIX ASPHALT MIXTURE REQUIREMENTS

MIXTURE TYPE	AIR VOIDS @ Ndes
INCIDENTAL HMA SURFACING	
HMA SURFACE COURSE, MIX "C", N50 (9.5mm)	4% @ 50 GYR.

THE UNIT WEIGHT USED TO CALCULATE ALL HMA SURFACE MIXTURE QUANTITIES IS 112 LBS/SQ YD/IN. THE "AC TYPE" FOR POLYMERIZED HMA MIXES SHALL BE "SBS/SBR PG 70-22" AND FOR NON-POLYMERIZED HMA THE "AC TYPE" SHALL BE "PG 64-22" UNLESS MODIFIED BY DISTRICT ONE SPECIAL PROVISIONS. FOR "PERCENT OF RAP" SEE DISTRICT ONE SPECIAL PROVISIONS.



PROPOSED TYPICAL SECTION
NOT TO SCALE

COPYRIGHT © 2009 BY BAXTER & WOODMAN, INC. ...
 LICENSE NO. 00000101 ... EXPIRES 4/30/2011 ...
 11/20/2009 8:34:43 AM



DESIGNED -	DJS	REVISED -	IDOT REVIEW 11/23/09
DRAWN -	RKM/CJC/MAC	REVISED -	
CHECKED -	MDW	REVISED -	
DATE -	10-16-2009	FILE -	091028-TYP.sht

**VILLAGE OF SKOKIE, ILLINOIS
U.S. ROUTE 41 (SKOKIE BOULEVARD)
STREETSCAPE IMPROVEMENTS**

TYPICAL SECTIONS	
SCALE: NONE	STA. TO STA.

F.A.P. RTE.	SECTION	COUNTY	TOTAL SHEETS	SHEET NO.
350	09-00283-00-LS	COOK	27	7
C-91-285-10			CONTRACT NO. 63430	
FED. ROAD DIST. NO. 1 (ILLINOIS) FED. AID PROJECT ARA-9003647				