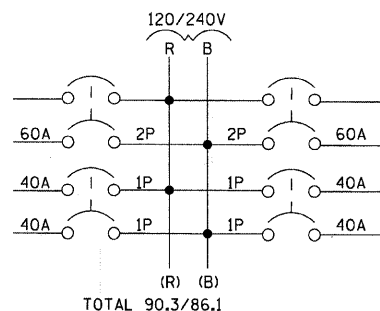


| CKT. | AMPS | |
|------|------|------|
| | R | B |
| A | 30.0 | 29.2 |
| C | 16.5 | |
| E | | 15.0 |
| SUB | 46.5 | 44.2 |



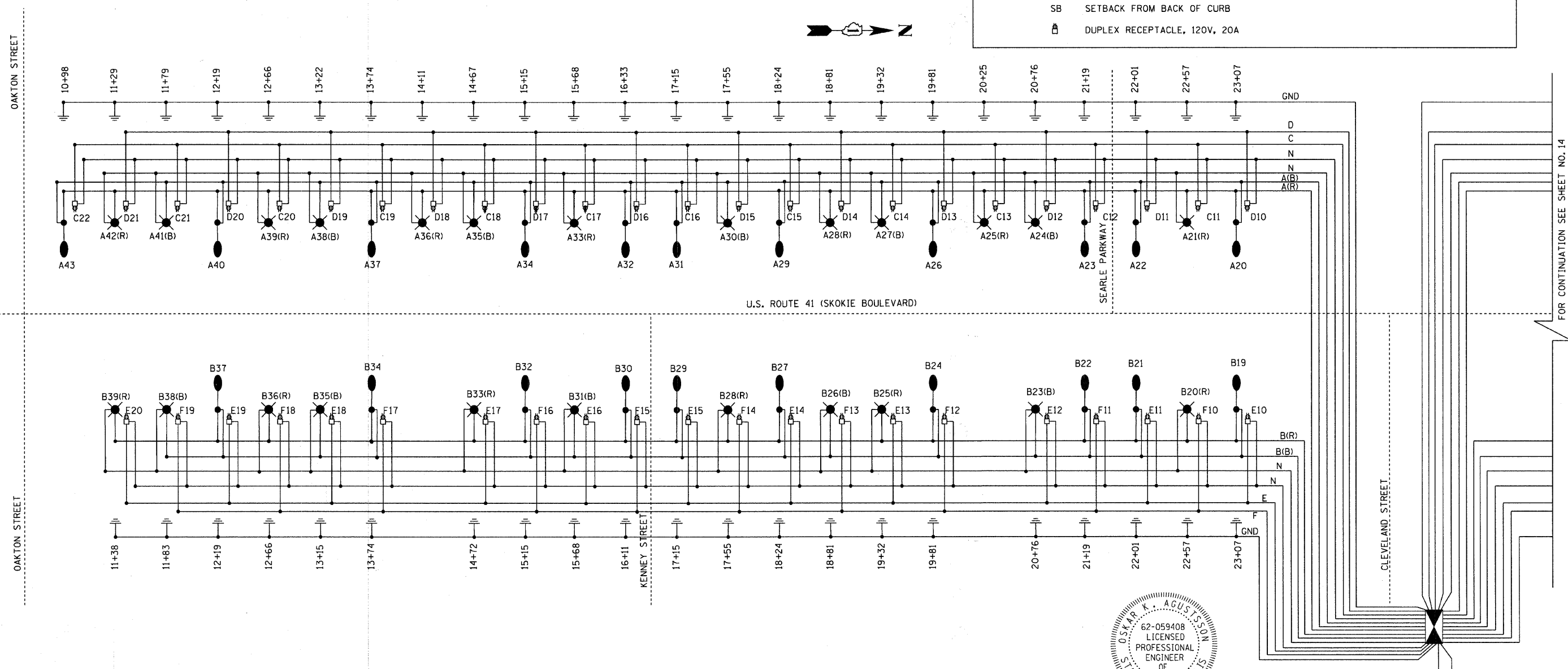
| AMPS | CKT. |
|------|------|
| | |
| 28.0 | B |
| 27.6 | |
| 15.8 | D |
| 14.3 | F |
| 43.8 | SUB |

TOTAL 90.3/86.1

LIGHTING CONTROLLER - LOADING

LEGEND

- EXISTING COM ED POWER POLE
- SERVICE PEDESTAL
- 1 1/2" UD, W/6*6 & 1*8 GND → 1 1/2" UNIT DUCT 6*6 & 1*8 GROUND (UNLESS NOTED OTHERWISE)
- 2 1/2" C, W/1 1/2" UD → 2 1/2" CONDUIT, PUSHED LENGTH AS SHOWN WITH 1 1/2" UNIT DUCT OR AS NOTED
- PROPOSED ORNAMENTAL STREET LIGHT, SINGLE TEARDROP FIXTURE, HPS, 250 WATT, 240 VOLT, TYPE IV, 36.5' M.H.
- ⊙ PROPOSED ORNAMENTAL STREET LIGHT, SINGLE ACORN FIXTURE, HPS, 35 WATT, 120 VOLT, TYPE III, 15.5' M.H.
- EXISTING STREET LIGHT
- ⊠ PROPOSED LIGHTING CONTROLLER
- EXISTING HANDHOLE
- SB SETBACK FROM BACK OF CURB
- Ⓜ DUPLEX RECEPTACLE, 120V, 20A



OSCAR K. AGUSTASON
62-059408
LICENSED
PROFESSIONAL
ENGINEER
OF
STATE OF ILLINOIS
Oscar K. Agustason
"LICENSE EXPIRES 11-30-11"

CONTROLLER "X1"
200A, 120/240V,
1 PHASE, 3 WIRE
STA 23+69

COPYRIGHT © 2009 BY BAXTER A. WOODMAN, INC.
 STATE OF ILLINOIS - PROFESSIONAL DESIGN FIRM
 LICENSE NO. - 014-00128 - EXPIRES 4/30/2011
 11/20/2009 9:01:52 AM \\C:\p\ba\woodman.com\projects\091028-SL-single_line.sht



| | |
|-------------------|----------------------------------|
| DESIGNED - OKA | REVISED - IDOT REVIEW 11/23/09 |
| DRAWN - MAC | REVISED - IDOT REVIEW 01/19/10 |
| CHECKED - OKA | REVISED - |
| DATE - 10-16-2009 | FILE - 091028-SL-single_line.sht |

**VILLAGE OF SKOKIE, ILLINOIS
U.S. ROUTE 41 (SKOKIE BOULEVARD)
STREETSCAPE IMPROVEMENTS**

STREET LIGHTING - SINGLE LINE DIAGRAM

SCALE: NONE STA. TO STA.

| F.A.P. RTE. | SECTION | COUNTY | TOTAL SHEETS | SHEET NO. |
|---|----------------|--------------------|--------------|-----------|
| 350 | 09-00283-00-LS | COOK | 27 | 13 |
| C-91-285-10 | | CONTRACT NO. 63430 | | |
| FED. ROAD DIST. NO. 1 ILLINOIS FED. AID PROJECT ARA-9003547 | | | | |

FOR CONTINUATION SEE SHEET NO. 14