

### Specifications

**POLE DESCRIPTION**  
The aluminum post shall be one piece in construction and complete assembly will compose of a Ø24" clamshell base, mounted around the base, and a West Liberty series single roadway arm mounted atop the post. Two 32" clamp on banner arms and a duplex receptacle with small white in-use weatherproof cover will mount at specified heights and orientations.

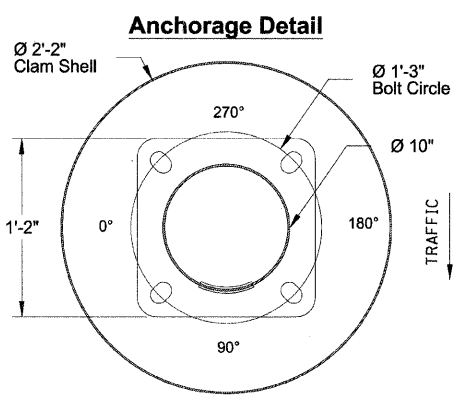
**MATERIALS**  
Welds conform to applicable AWS structural welding code. Pole shaft is one piece, 6063 aluminum alloy, heat treated to a T6 temper. Pole base shall be 356 or A356 aluminum alloy, heat treated to a T6 temper after welding. A 2" x 4" minimum hand hole (covers and fasteners included) will mount 18" above the base of the post and will be concealed by the cast aluminum clamshell base.

**DIMENSIONS**  
The post will be 35'-0" in height with a 14" square base plate. The post shaft shall be .312" thick with a Ø10" shaft base. The base plate will accept Ø1.25" anchor bolts on a Ø15" bolt circle (3.25" bolt projection). The roadway arm will span 72" from shaft center to luminaire center.

**LUMINAIRE DESCRIPTION**  
- Memphis Utility Series Fixture  
- 250 Watt High Pressure Sodium (Mogul), Multivolt (Prewired 240V)  
- Teardrop Type IV Glass Optics (IES Classification SC-3)  
- Black Finish  
- Protected Starter  
For complete specifications see LUM\_MPU.

### Accessory Mounting Detail

	Orientation	Height
FGIUS-SBKH (HANDHOLE)	90°	12'-0"
<i>Clamp-On</i>		Shaft Ø
BA32A/1/CO-CA/BKH	180°	6.5"
BA32A/1/CO-CA/BKH	180°	7.5"



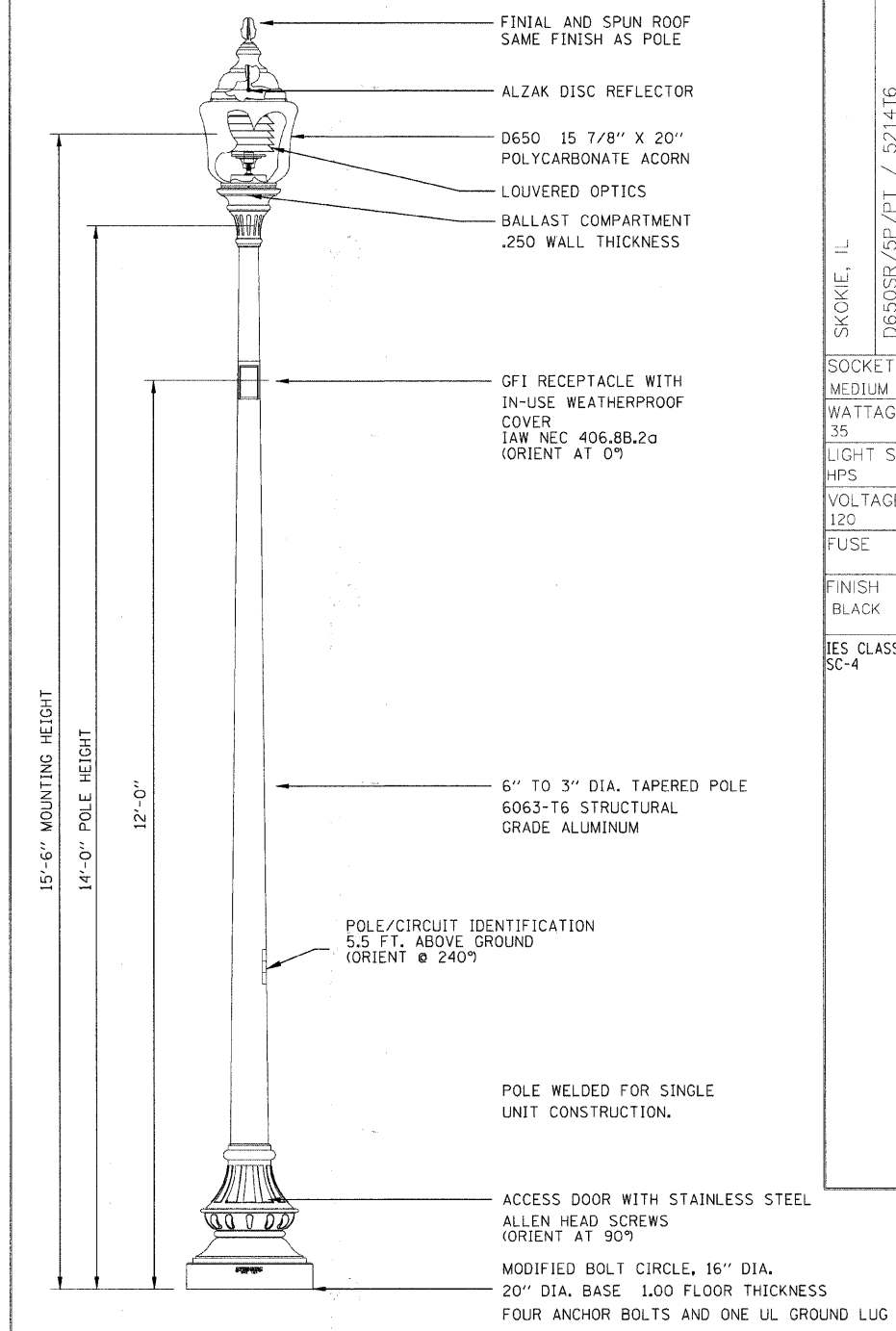
**Catalog #'s:**  
(AOL-24615)RTA35G1C4-BKH - WLC72/1-CA/BKH - C26CSB-CA/BKH - (2)BA32A/1/CO-CA/BKH - HAP-FGIUS-SBKH - WLLF/200-SCA/BK - MPU250HPMCB4 PS



### ORNAMENTAL STREET LIGHTING – SINGLE TEARDROP FIXTURE

NO SCALE

NOTE: POLES SHALL BE MANUFACTURED TO MEET LATEST AASHTO REQUIREMENTS WITH ACCESSORIES SHOWN.

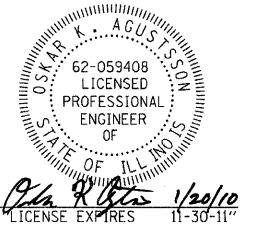
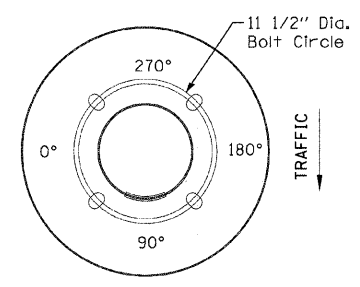


### ORNAMENTAL STREET LIGHTING – SINGLE ACORN FIXTURE

NO SCALE

POLE HEIGHTS HAVE A TOLERANCE OF ± 1/8" - 2"	DRAWING NUMBER
SKOKIE, IL	SINCE 1923
D650SR/5P/PT / 5214T6	
<b>STERNBERG</b>	
SOCKET TYPE	MEDIUM
WATTAGE	35
LIGHT SOURCE	HPS
VOLTAGE	120
FUSE	
FINISH	BLACK
IES CLASSIFICATION	SC-4

### ANCHORAGE DETAIL



COPYRIGHT © 2009 BY BAXTER & WOODMAN, INC.  
 STATE OF ILLINOIS - PROFESSIONAL DESIGN FIRM  
 LICENSE NO. 084-00028 - EXPIRES 4/30/2011  
 122072010



DESIGNED - OKA	REVISED - IDOT REVIEW 11/23/09
DRAWN - MAC	REVISED - IDOT REVIEW 01/19/10
CHECKED - OKA	REVISED -
DATE - 10-16-2009	FILE - 091028-SL-details-1.sht

**VILLAGE OF SKOKIE, ILLINOIS  
U.S. ROUTE 41 (SKOKIE BOULEVARD)  
STREETSCAPE IMPROVEMENTS**

### STREET LIGHTING DETAILS

SCALE: STA. TO STA.

F.A.P. RTE.	SECTION	COUNTY	TOTAL SHEETS	SHEET NO.
350	09-00283-00-LS	COOK	27	21
C-91-285-10			CONTRACT NO. 63430	
FED. ROAD DIST. NO. 1   ILLINOIS   FED. AID PROJECT ARA-9003547				