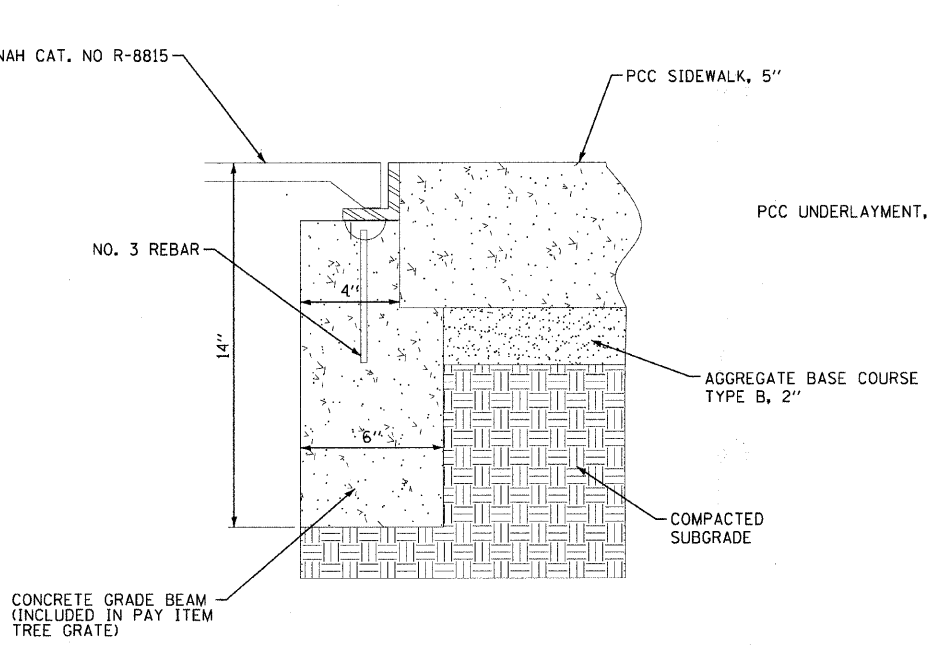
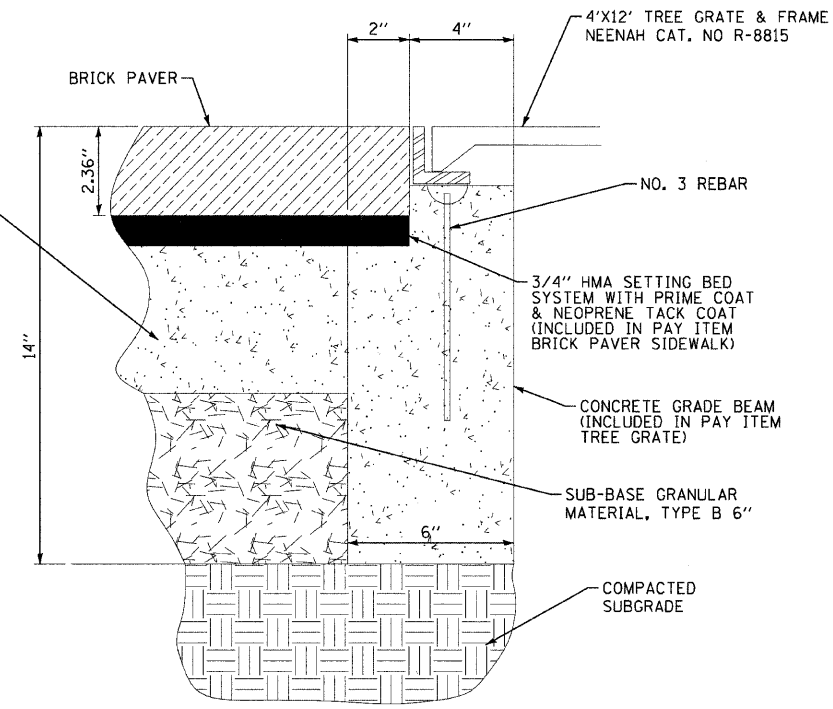


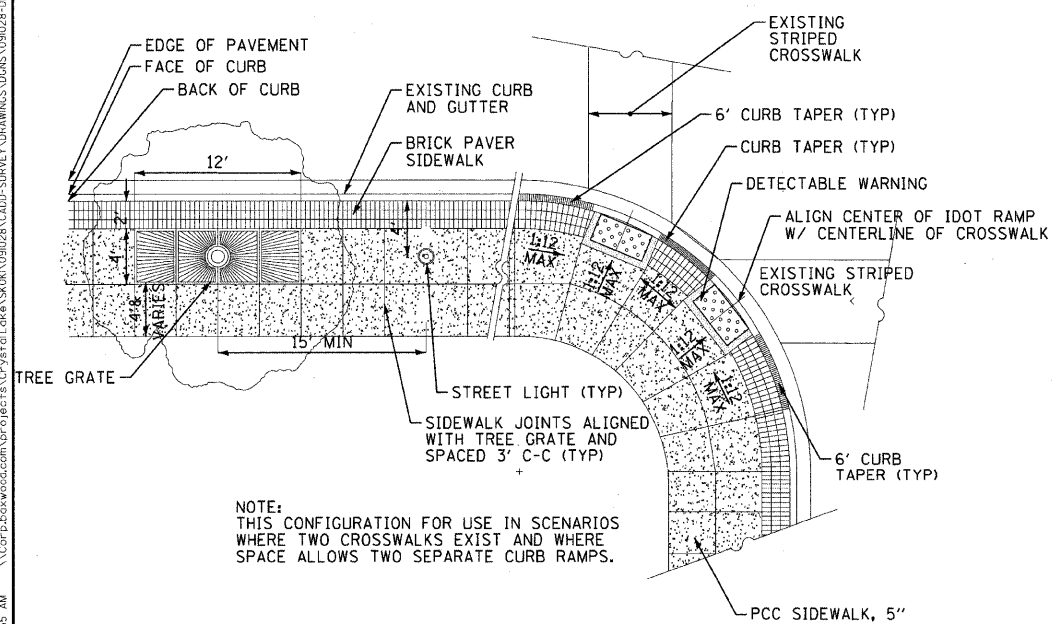
**TREE GRATE REFERENCE DIAGRAM**  
NOT TO SCALE



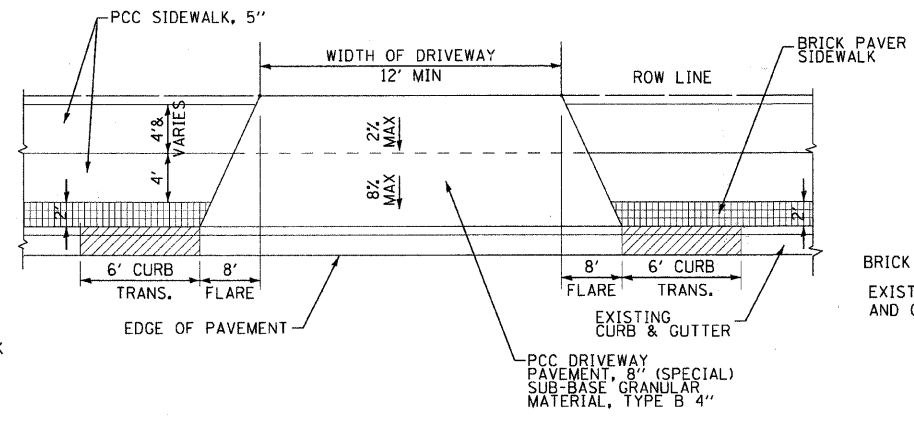
**TREE GRATE TO NEW SIDEWALK - SECTION B-B**  
NOT TO SCALE



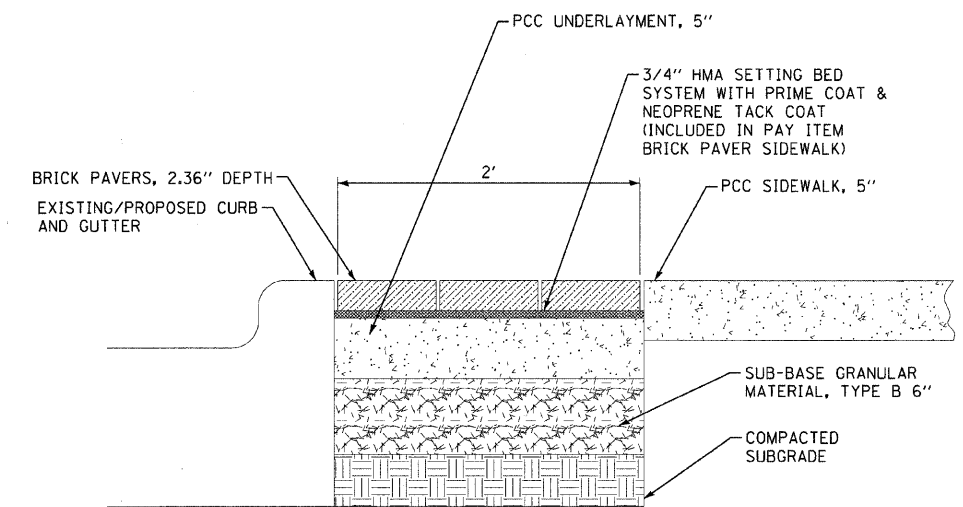
**TREE GRATE TO NEW BRICK PAVER SIDEWALK - SECTION C-C**  
NOT TO SCALE



**STREETSCAPE TYPICAL PLAN**  
NOT TO SCALE



**TYPICAL DRIVEWAY DETAIL**  
NOT TO SCALE



**BRICK PAVER SIDEWALK - SECTION D-D**  
NOT TO SCALE

COPYRIGHT © 2009 BY BAXTER & WOODMAN, INC. ALL RIGHTS RESERVED. PROJECT NO. 091028-DETAILS.SHT  
 LICENSE NO. 004-00129 - EXPIRES 4/30/2011  
 11/20/2009 10:25:55 AM



DESIGNED -	DJS	REVISED -	IDOT REVIEW 11/23/09
DRAWN -	RKM/CJC/MAC	REVISED -	
CHECKED -	MDW	REVISED -	
DATE -	10-16-2009	FILE -	091028-DETAILS.sht

**VILLAGE OF SKOKIE, ILLINOIS  
U.S. ROUTE 41 (SKOKIE BOULEVARD)  
STREETSCAPE IMPROVEMENTS**

SCALE: NONE		STA. TO STA.		F.A.P. RTE.	SECTION	COUNTY	TOTAL SHEETS	SHEET NO.
				350	09-00283-00-LS	COOK	27	22
					C-91-285-10		CONTRACT NO. 63430	
				FED. ROAD DIST. NO. 1 ILLINOIS FED. AID PROJECT ARA-9003(547)				