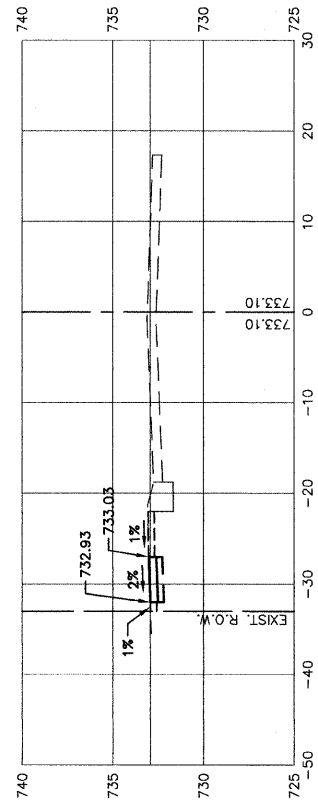
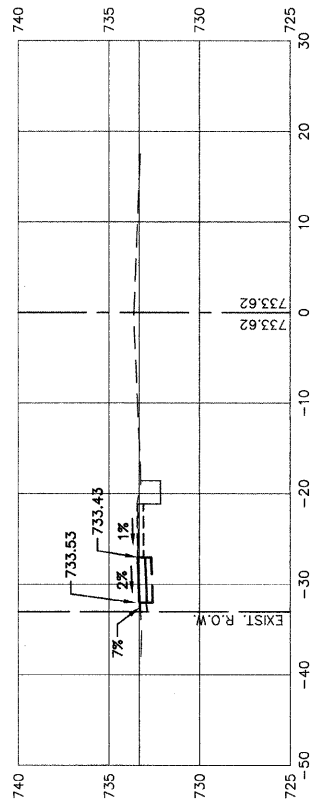


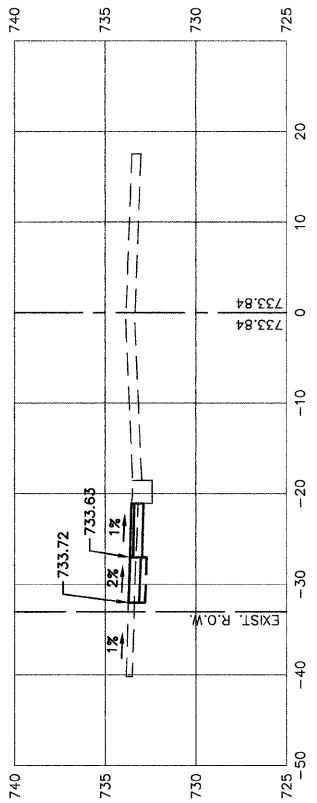
CUT=8  
16+88  
FILL=0



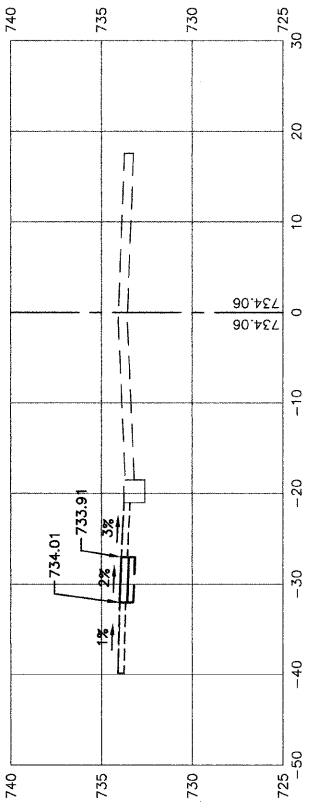
CUT=6  
16+50  
FILL=0



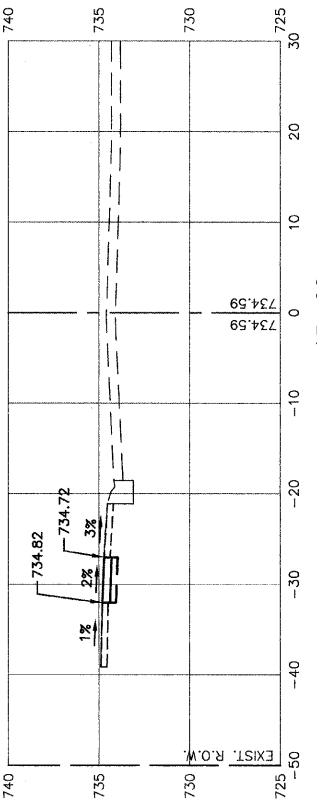
CUT=6  
16+00  
FILL=0



CUT=8  
15+73  
FILL=0



CUT=8  
15+50  
FILL=0



CUT=8  
15+00  
FILL=0

FILE NAME = 06912\_01.XSCT-01

USER NAME =	DESIGNED -- JN/MN	REVISED --
CHECKED -- JN/MN	REVISIONS	
PLOT SCALE =	DRAWN -- KWM	REVISED --
PLOT DATE = 12-01-09	CHECKED -- KWM	REVISED --

STATE OF ILLINOIS  
DEPARTMENT OF TRANSPORTATION

EXCHANGE ST. AND SANGAMON ST.  
SOUTHLAND SAFE ROUTE TO SCHOOL PROGRAM  
CROSS SECTIONS

SCALE: H 1"=10' V 1"=5' SHEET NO. 11 OF 17 SHEETS STA. 15+00 TO STA. 16+88

F.A.U. RTE.	SECTION	COUNTY	TOTAL SHEETS	SHEET NO.
1638	06-00162-01-SW	WILL	17	11
FED. ROAD DIST. NO. 1 ILLINOIS			CONTRACT NO. 63435	
FED. AID PROJECT CMM-9003 (077)				