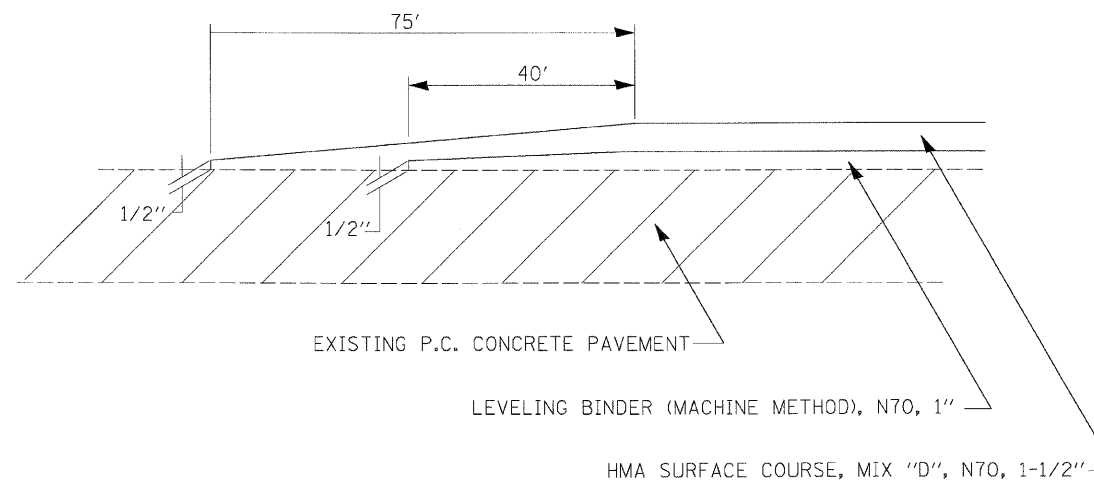


TYPICAL TAPER  
US RT. 20



FILE NAME =	USER NAME = #USER#	DESIGNED: KAC	REVISED -
G:\ENG\06-6798-13_TASK7\Civil\Shr\DI164068.S	T006.typical Joint.dgn	DRAWN BY: CKL/JMF	REVISED -
	PLOT SCALE = #SCALE#	CHECKED BY: KAC	REVISED -
	PLOT DATE = 12/1/2009	DATE: 11/13/2008	REVISED -

STATE OF ILLINOIS  
DEPARTMENT OF TRANSPORTATION

TYPICAL SECTIONS  
TYPICAL TAPER

SCALE: N.T.S. SHEET NO. 17 OF 80 SHEETS STA. 99+27 TO STA. 114+33

F.A.E. RTE.	SECTION	COUNTY	TOTAL SHEETS	SHEET NO.
301	43T&M	JODAVIESS	80	17
FED. ROAD DIST. NO. - [ILLINOIS] FED. AID PROJECT			CONTRACT NO. 64C68	