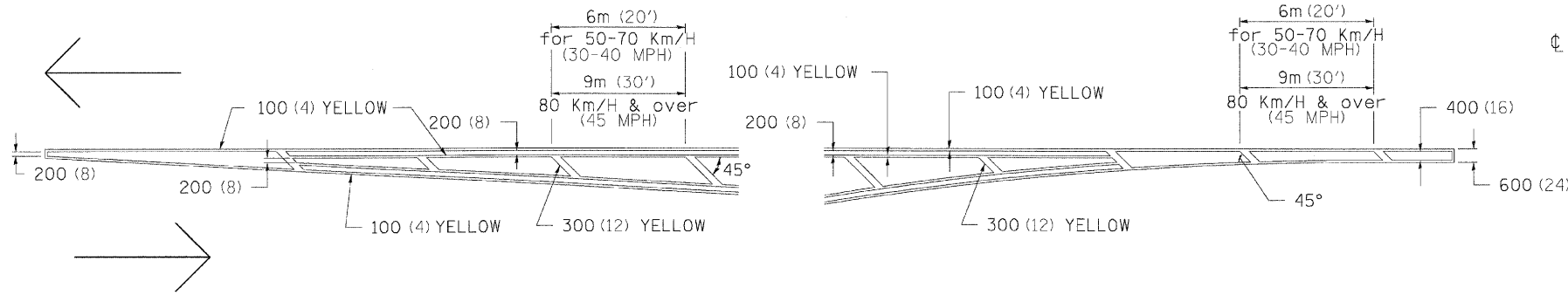
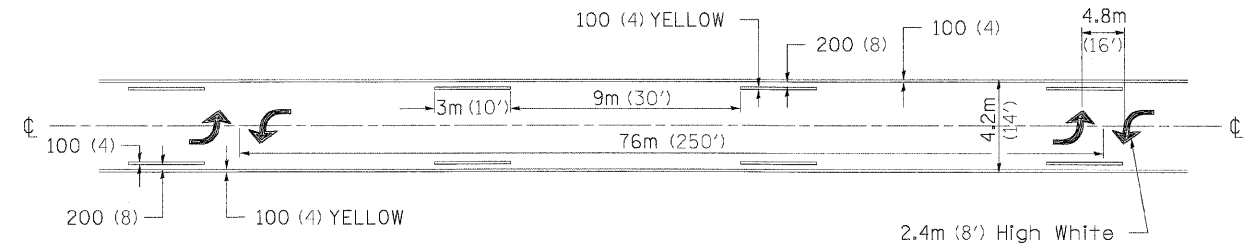


TYPICAL PAVEMENT MARKINGS

TYPICAL PAVEMENT MARKING FOR FLUSH MEDIAN AT LEFT TURN LANE

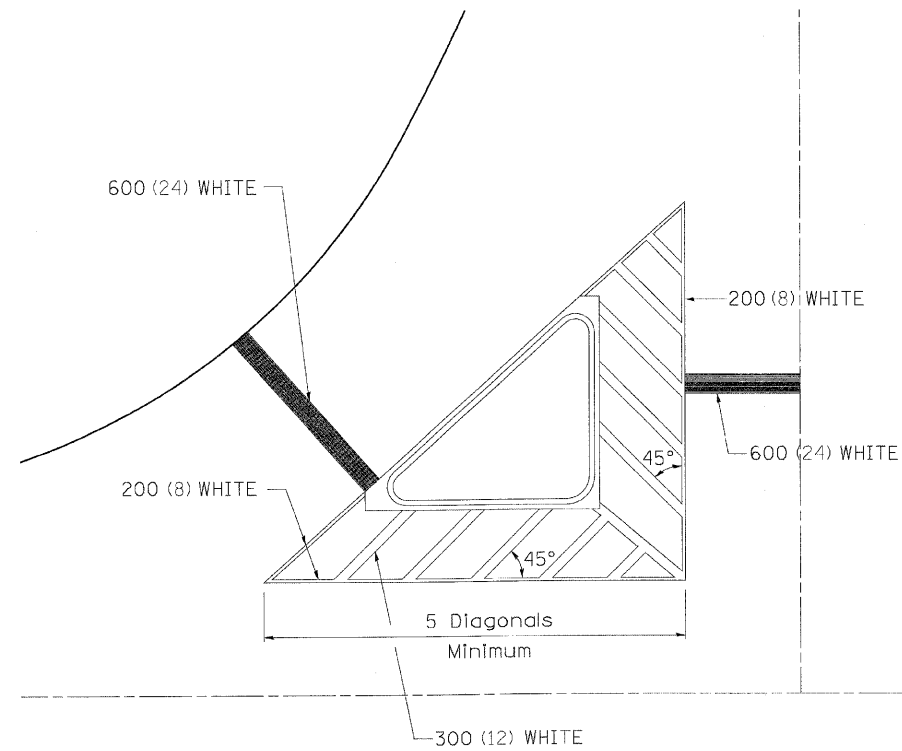


MEDIAN PAVEMENT MARKING

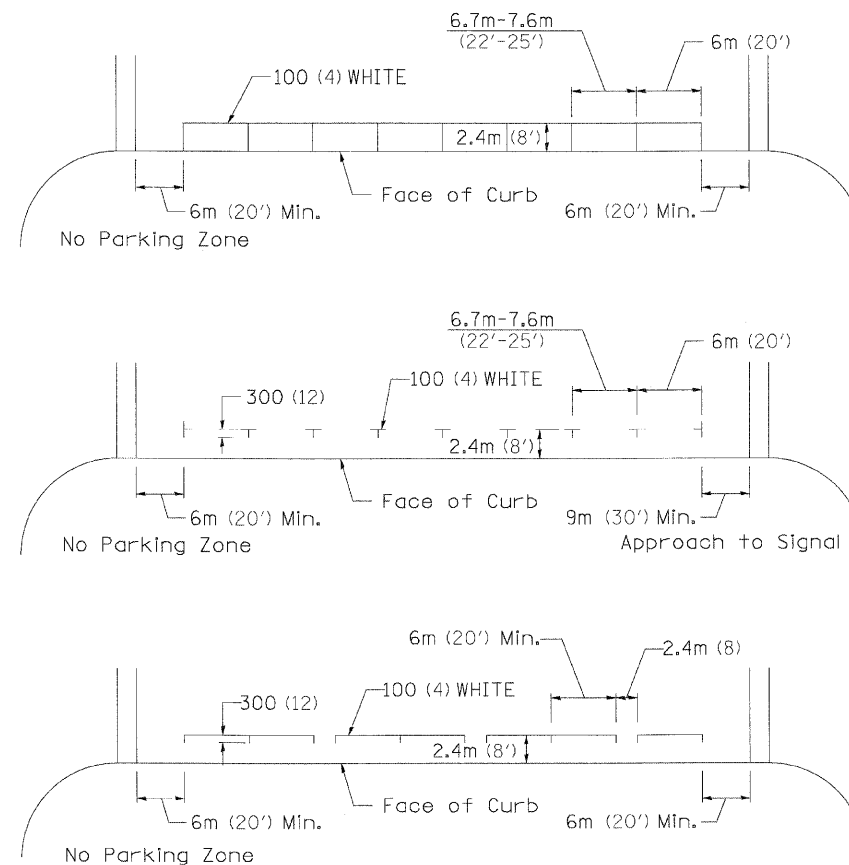


** ALL DIMENSIONS ARE IN MILLIMETERS (INCHES) UNLESS OTHERWISE NOTED.

TYPICAL ISLAND OFFSET SHOULDER WIDTH

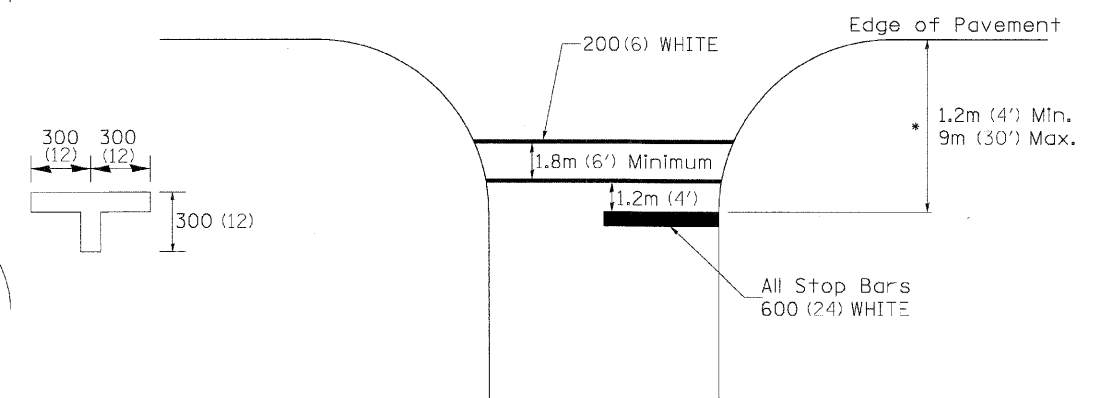


TYPICAL PARKING SPACING



STANDARD CROSSWALK MARKING

See Schedules for Locations



* Distance to the nearest edge of the intersecting roadway in the absence of a marked crosswalk.

FILE NAME =	USER NAME = \$USER\$	DESIGNED -	REVISED - 10-21-08	STATE OF ILLINOIS DEPARTMENT OF TRANSPORTATION	REGION 2 / DISTRICT 2 STANDARD			F.A. RTE.	SECTION	COUNTY	TOTAL SHEETS	SHEET NO.
G:\ENGR\06-6790-13_TASK7\C1v\Sh\DI164C68	S-11037_243_DIS2_STAND.dgn	DRAWN -	REVISED -		SCALE: N.T.S.	SHEET NO. 59 OF 80 SHEETS	STA. 99+27 TO STA. 114+33	301	43T&M	JODAVIESS	80	59
	PLOT SCALE = \$SCALE\$	CHECKED -	REVISED -					CONTRACT NO. 64C68				
	PLOT DATE = 12/1/2009	DATE -	REVISED -					FED. ROAD DIST. NO. ILLINOIS FED. AID PROJECT				