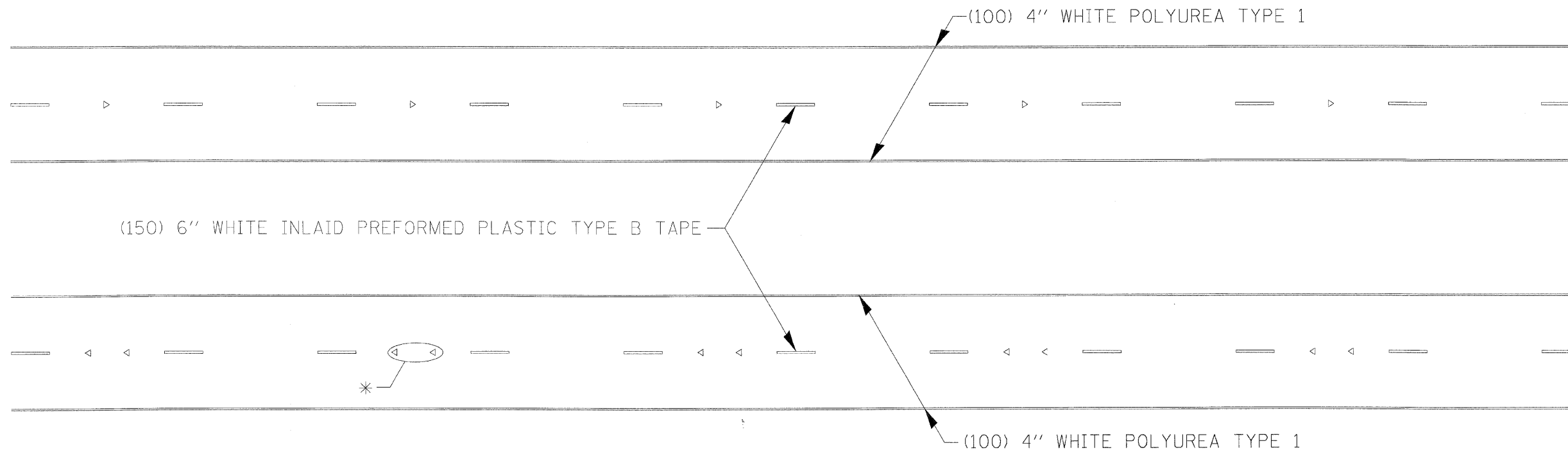
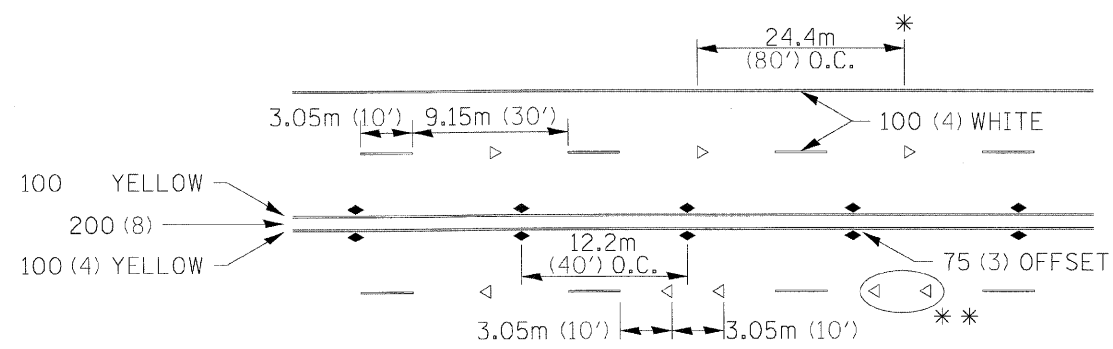


# TYPICAL PAVEMENT MARKINGS



\* SEE HIGHWAY STANDARD 781001 FOR SPACING DETAILS.  
USE DOUBLE MARKERS WHEN ADT  $\geq$  25,000.

## MULTI-LANE / DIVIDED



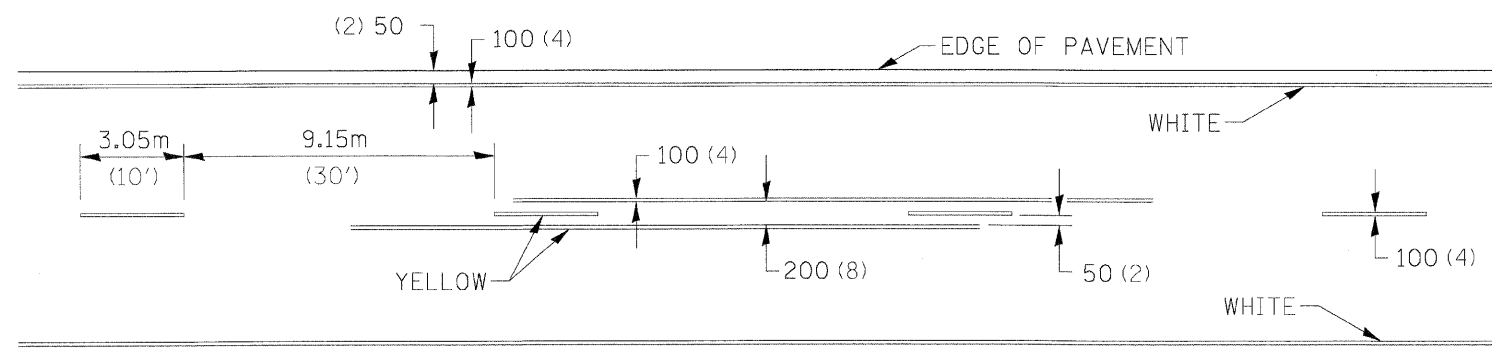
SYMBOLS

\* REDUCE TO 12.2m (40') O.C. ON CURVES WHERE ADVISORY SPEEDS ARE 15Km/H (10MPH) LOWER THAN POSTED SPEEDS.

\*\* USE DOUBLE MARKERS WHEN ADT  $\geq$  25,000

## MULTI-LANE / UNDIVIDED

## TYPICAL PAVEMENT MARKING FOR TWO LANE SECTION – NO PASSING ZONES



FILE NAME =	USER NAME = #USER#	DESIGNED -	REVISED - 10-21-08	<b>STATE OF ILLINOIS DEPARTMENT OF TRANSPORTATION</b>	<b>REGION 2 / DISTRICT 2 STANDARD</b>			F.A. RTE.	SECTION	COUNTY	TOTAL SHEETS	SHEET NO.
G:\ENG\06-6790-13_TASK7\civ\sh\DI1164C68	SHT037_043_DIS2_STAND.dgn	DRAWN -	REVISED -					301	43T&M	JODAVIESS	80	61
	PLOT SCALE = #SCALE#	CHECKED -	REVISED -		CONTRACT NO. 64C68							
	PLOT DATE = 12/1/2009	DATE -	REVISED -		SCALE: N.T.S.	SHEET NO. 61 OF 80 SHEETS	STA. 99+27 TO STA. 114+33	FED. ROAD DIST. NO. [ILLINOIS] FED. AID PROJECT				