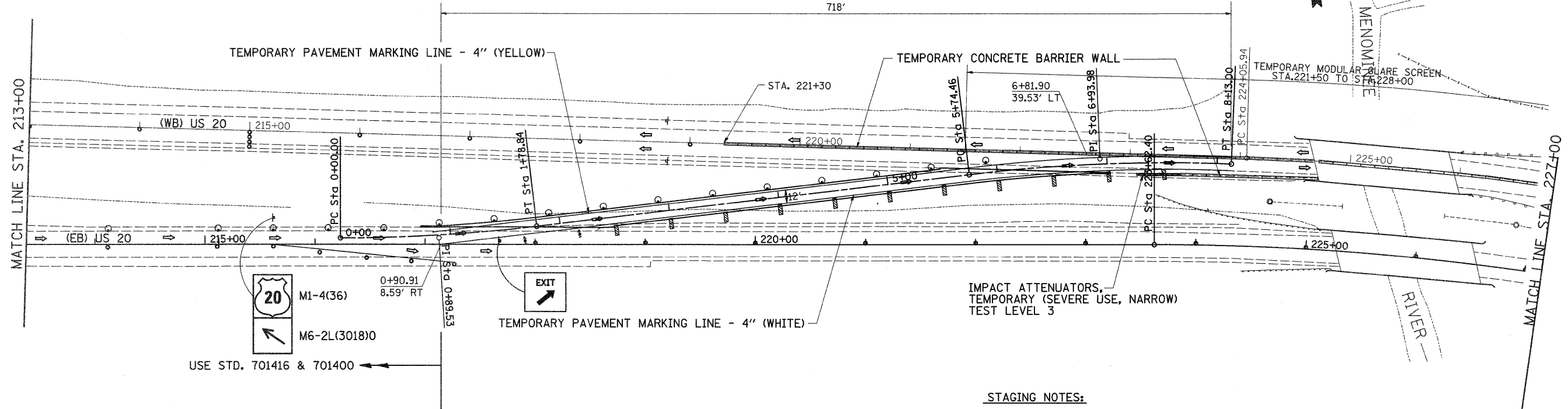
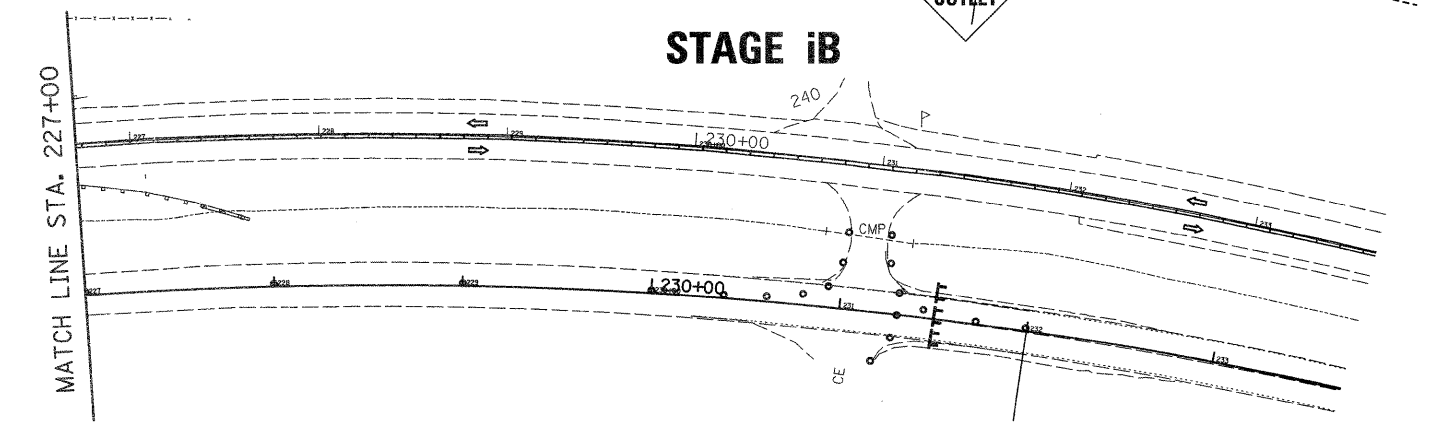
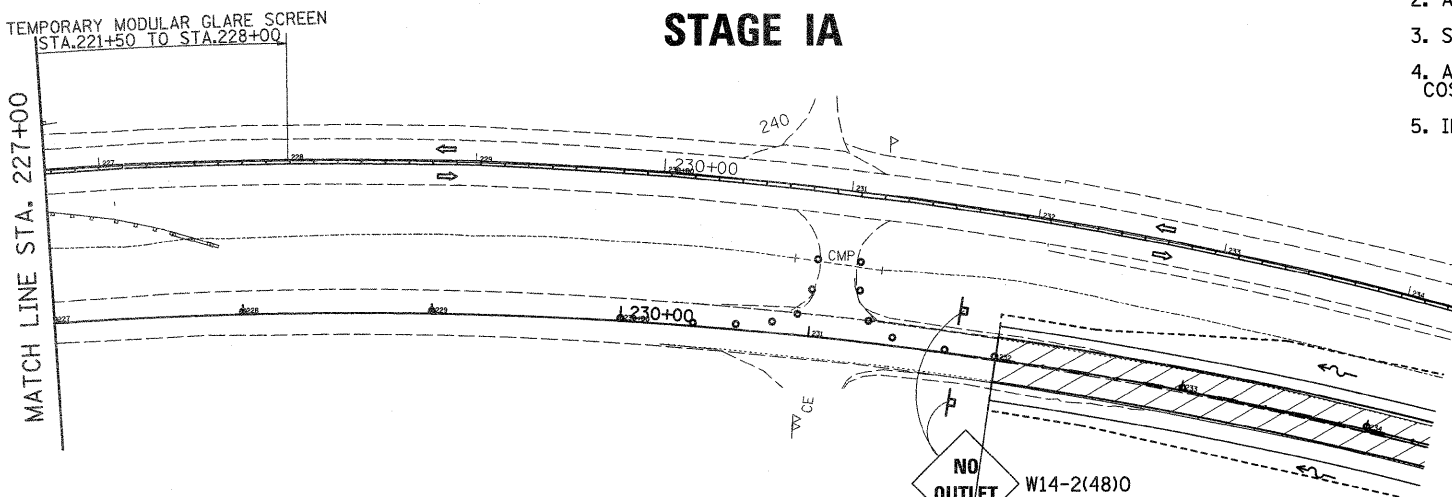


TEMPORARY WEST CROSSOVER STAGE I



- STAGING NOTES:**
1. USE STANDARD 701400 & 701416 WHEN UTILIZING CROSSOVER.
 2. APPLY TEMPORARY PAVEMENT MARKING LINE 4"
 3. SETUP TEMPORARY CONCRETE BARRIER WALL @ $\frac{1}{2}$ OF WESTBOUND LANES INCLUDING ALL TAPERS.
 4. ANY CONFLICTING INLAID PAVEMENT MARKING SHALL BE COVERED WITH BLACKOUT TAPE, COST WILL BE INCLUDED IN TRAFFIC CONTROL STANDARD 701416.
 5. INSTALL TEMPORARY LIGHTING SYSTEM



USE AT ALL ENTRANCES
DETAIL B

W1-6(O)6030

STRIPED AS SHOWN FOR THE TYPE III BARRICADE ON STANDARD 701901

MOUNTED TO THE FACE OF THE TEMPORARY CONCRETE BARRIER WALL COST TO BE INCLUDED

- SYMBOLS**
- Arrow board
 - Work area
 - Sign
 - Direction indicator barricade with steady burn monodirectional light
 - Type II barricade with steady burn monodirectional light
 - Drum with steady burn monodirectional light
 - Vertical Panel (back to back)
 - Type III barricade with flashing lights
 - Temporary concrete barrier
 - Bidirectional barrier marker

FILE NAME =	USER NAME = cushmanbw	DESIGNED -	REVISED -	STATE OF ILLINOIS DEPARTMENT OF TRANSPORTATION	TEMPORARY WEST CROSSOVER STAGE I				F.A.P. RTE.	SECTION	COUNTY	TOTAL SHEETS	SHEET NO.
c:\pwwork\pwwork\cushmanbw\d0117386\022808-staging.dgn	2808-staging.dgn	DRAWN -	REVISED -						301	31T	JO DAVIESS	160	41
PLOT SCALE = 50.0000' / IN.	CHECKED -	REVISED -	REVISED -		CONTRACT NO. 64D92								
PLOT DATE = Wed Dec 09 11:48:11 2009	DATE -	REVISED -	REVISED -		SCALE:	SHEET NO.	OF	SHEETS	STA.	TO STA.	ILLINOIS FED. AID PROJECT		