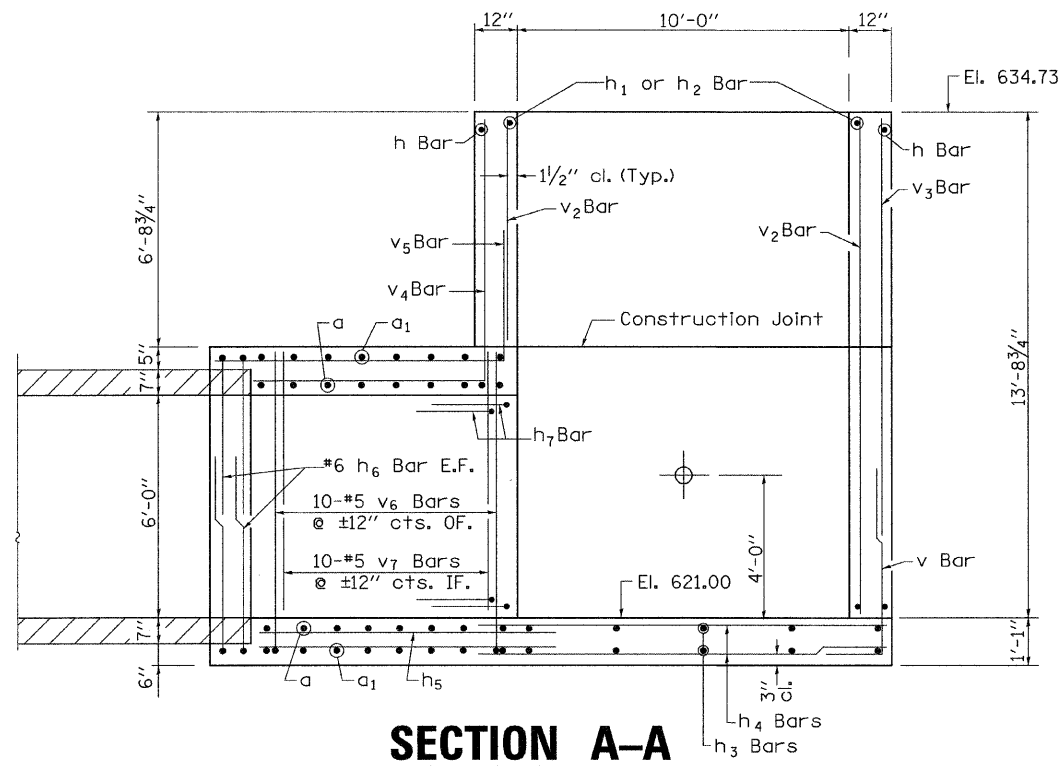
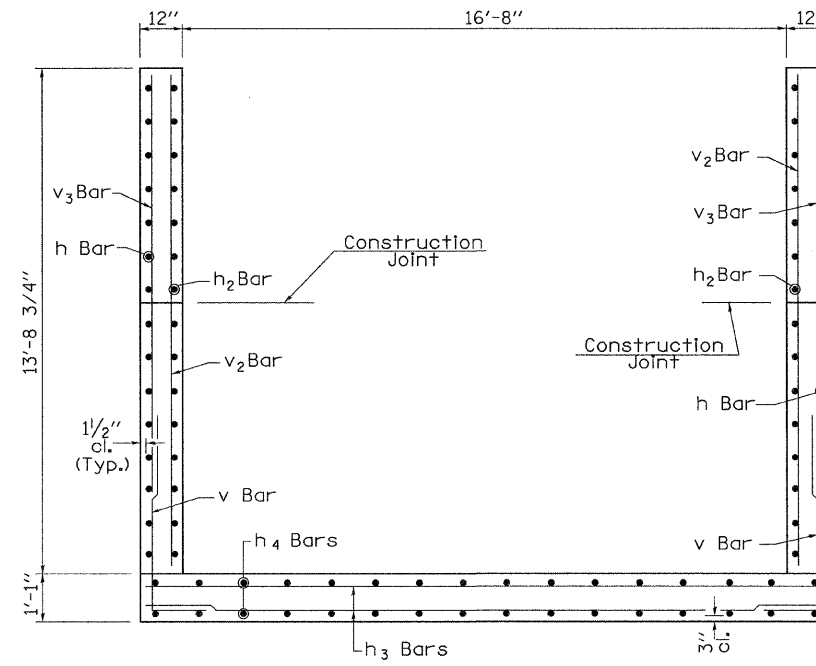


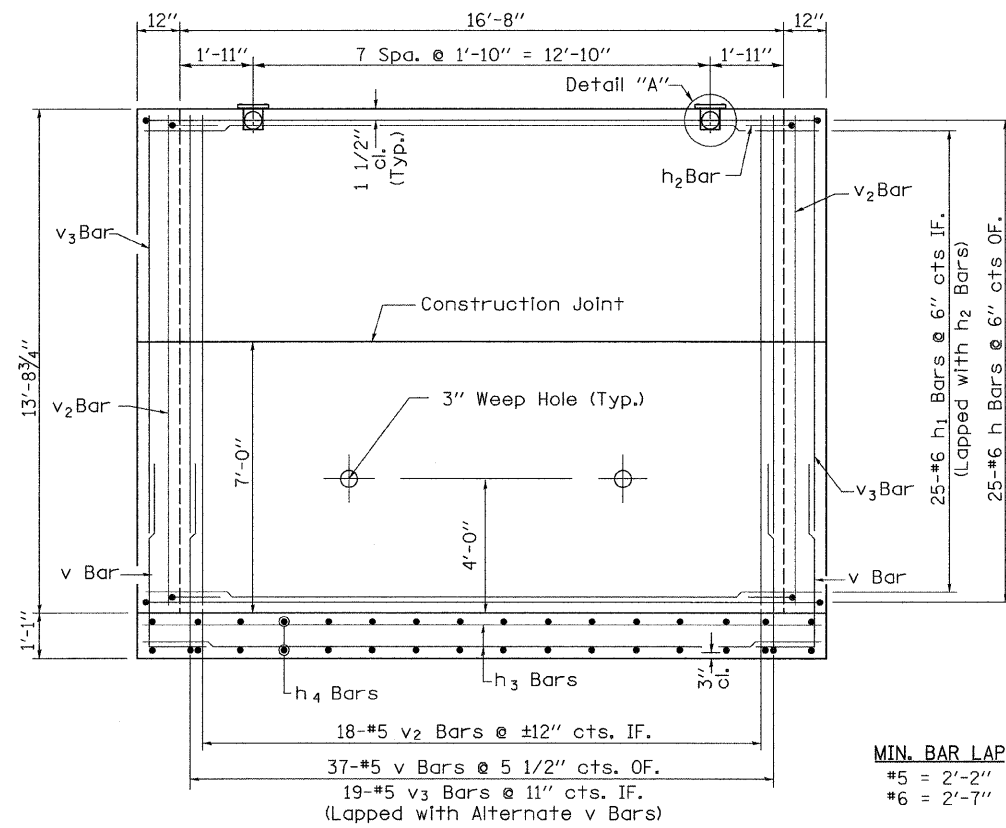
CONTRACT NO. 64D82				
F.A.P. RTE.	SECTION	COUNTY	TOTAL SHEETS	SHEET NO.
301	31T	JODAVIESS	160	46
STA.		TO STA.		
FED. ROAD DIST. NO.		ILLINOIS FED. AID PROJECT		
SH. 2 OF 3				



**SECTION A-A**

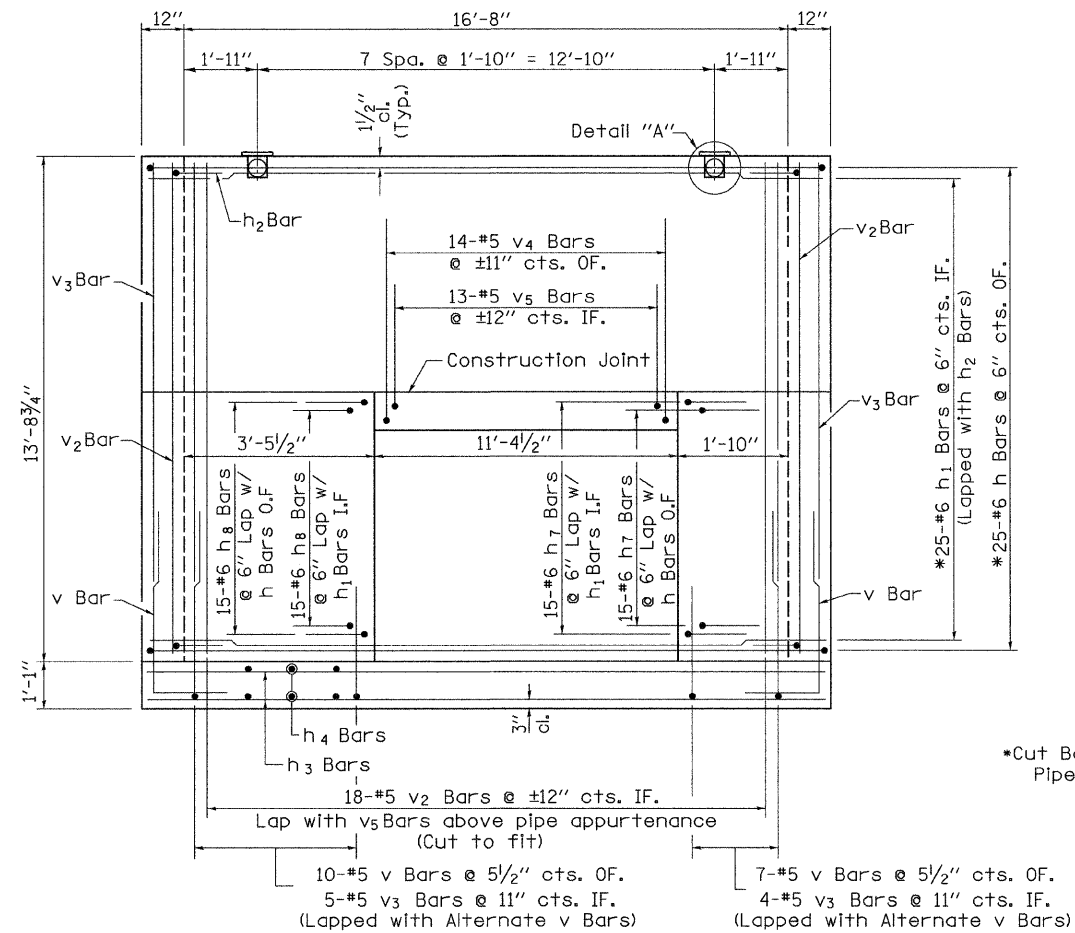


**SECTION B-B**



**VIEW C-C**

**MIN. BAR LAP**  
 #5 = 2'-2"  
 #6 = 2'-7"



**VIEW D-D**

\*Cut Bars to fit around Pipe Appurtenance.

# DROP BOX NO. 1

## RT STA 250+27 (US 20)

PLOT DATE = 11/30/2009  
 FILE NAME = V:\B\rdg\2244\2244-22\080100.dwg  
 PLOT SCALE = 5/16" = 1' IN.  
 USER NAME = rdoody