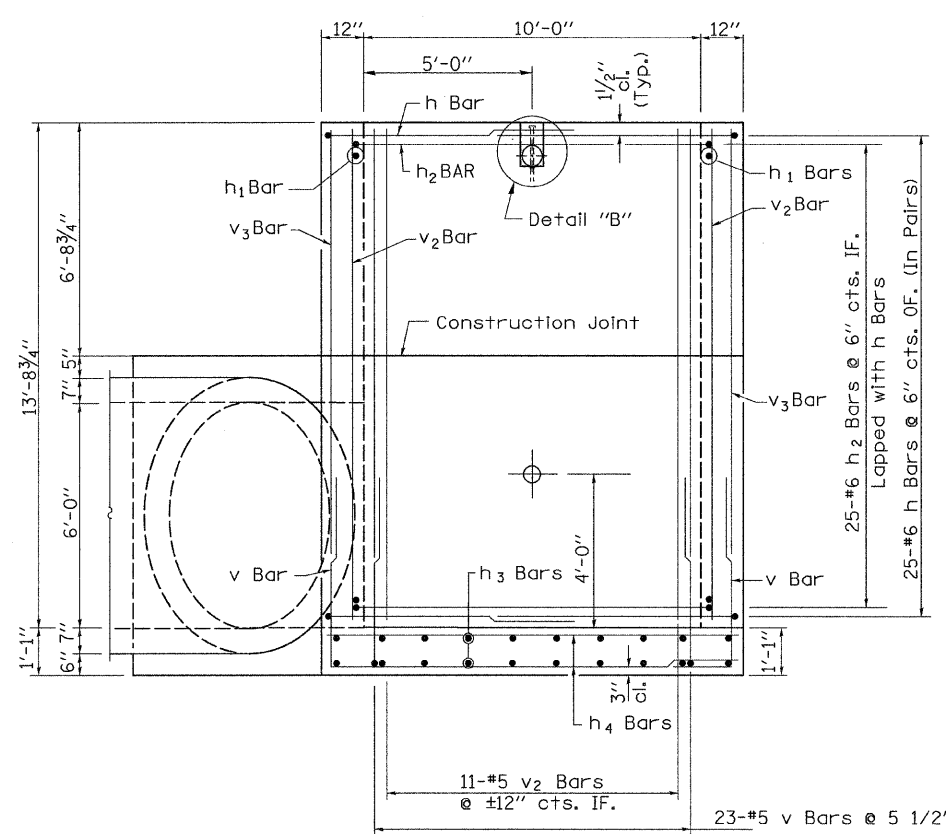


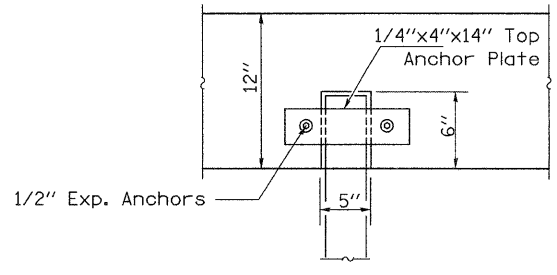
F.A.P. RTE.	SECTION	COUNTY	TOTAL SHEETS	SHEET NO.
301	31T	JODAVIESS	160	47
STA.		TO STA.		
FED. ROAD DIST. NO.		ILLINOIS FED. AID PROJECT		

DROP BOX NO. 1

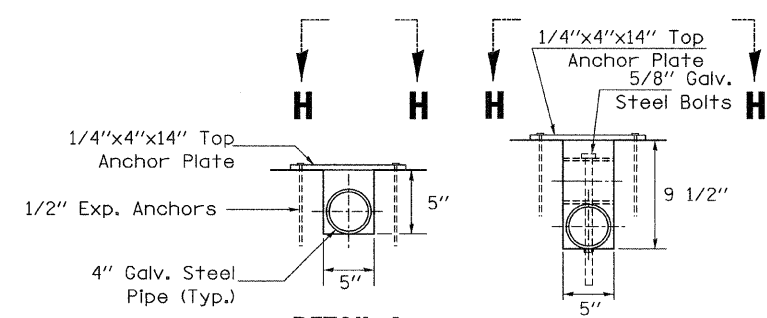
RT STA 250+27 (US 20)



VIEW E-E

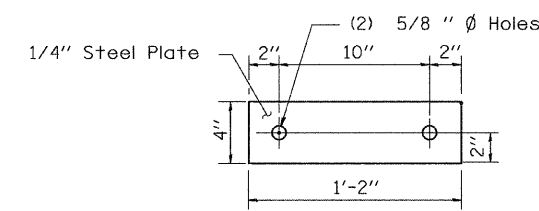


VIEW H-H

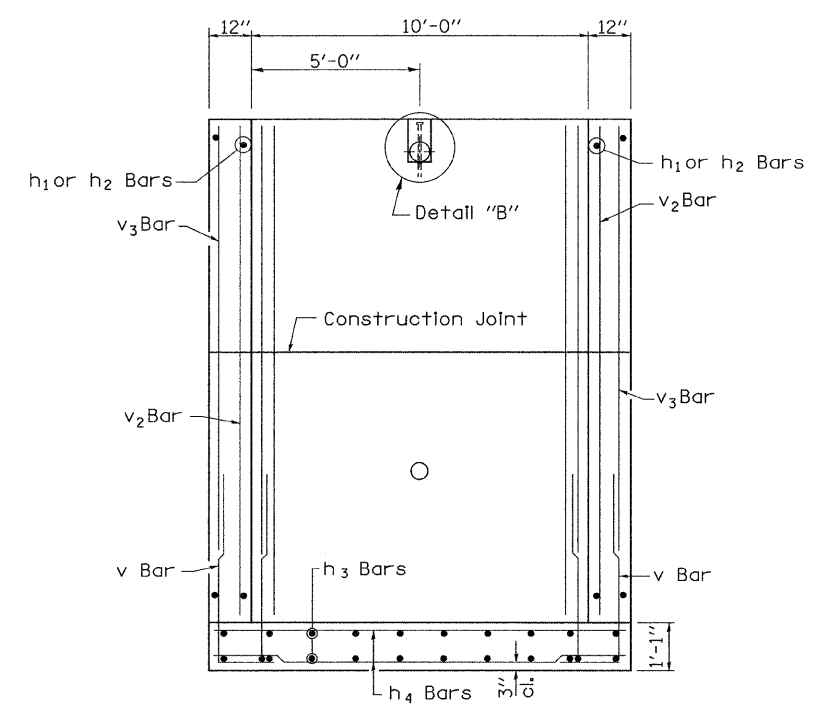


DETAIL A

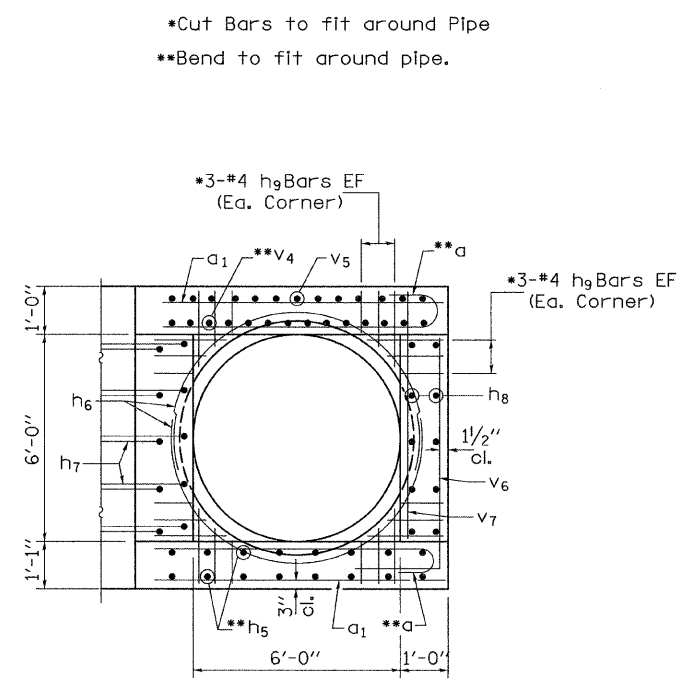
DETAIL B



TOP ANCHOR PLATE

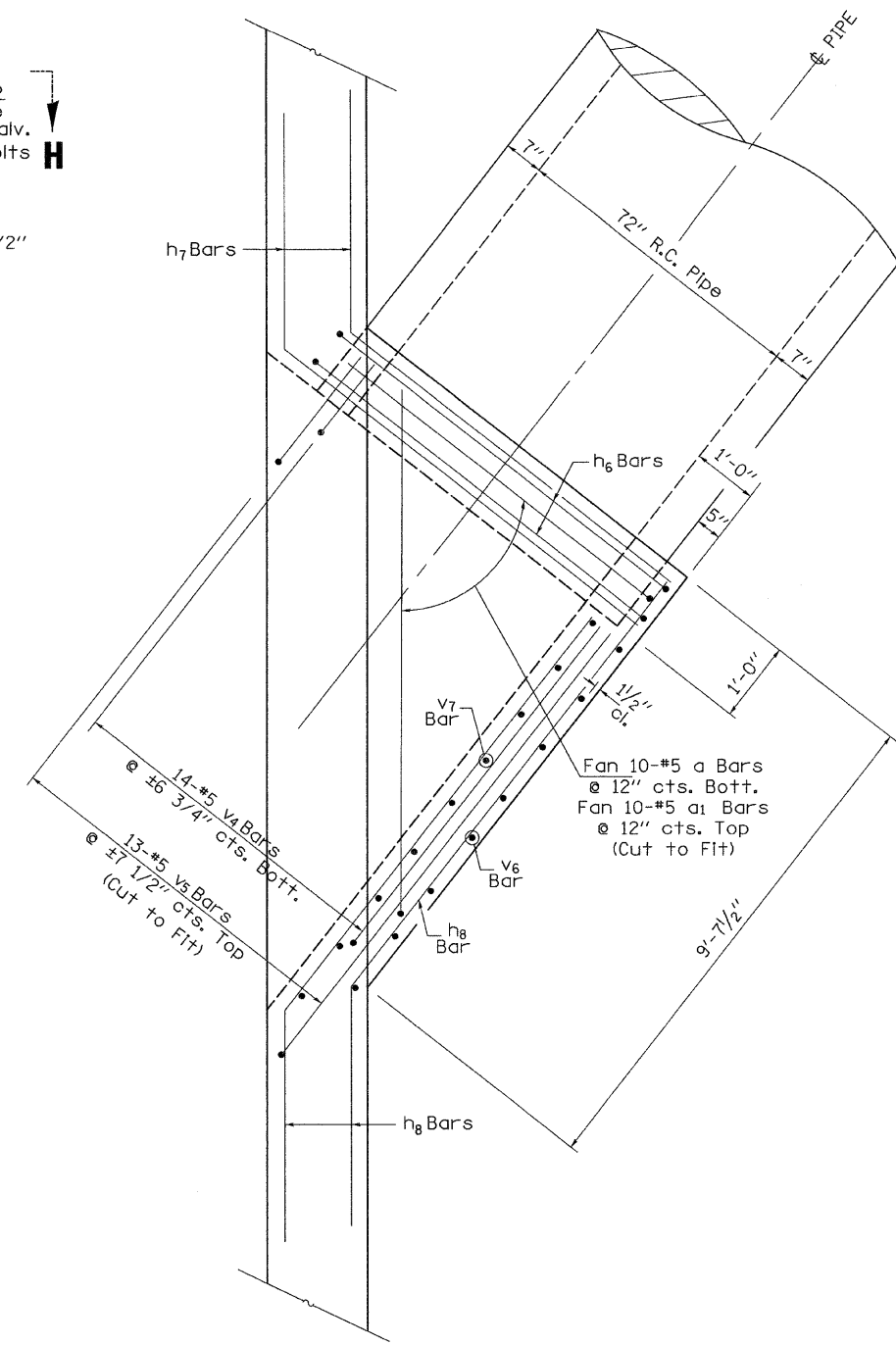


SECTION F-F



VIEW G-G

- *Cut Bars to fit around Pipe
- **Bend to fit around pipe.



DETAIL D
PLAN DETAIL OF APPURTENANCE

PLOT DATE = 11/30/2009
 FILE NAME = V:\Bridges\2244\2244-22.dwg
 PLOT SCALE = 1/8\"/>