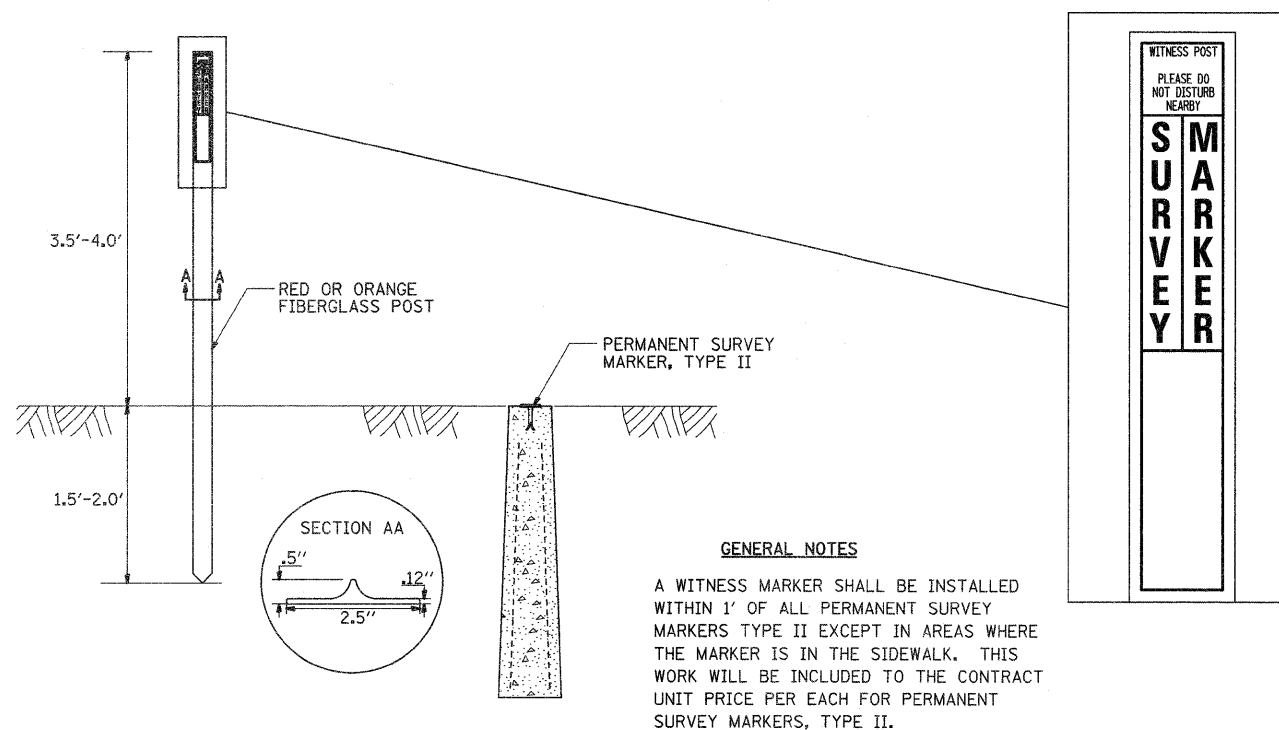
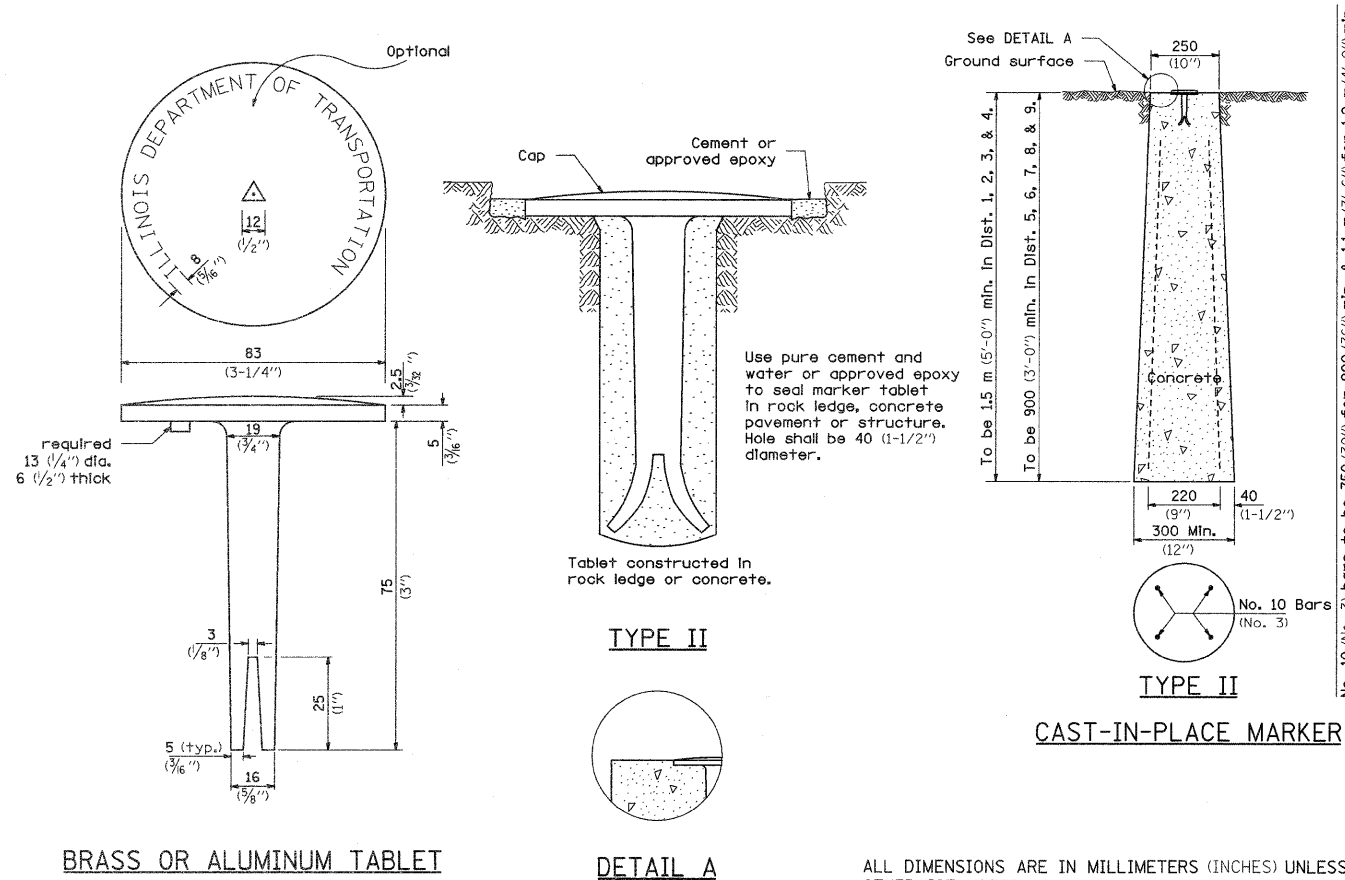


WITNESS MARKER FOR PERMANENT SURVEY MARKERS, TYPE II



PERMANENT SURVEY MARKERS, TYPE II

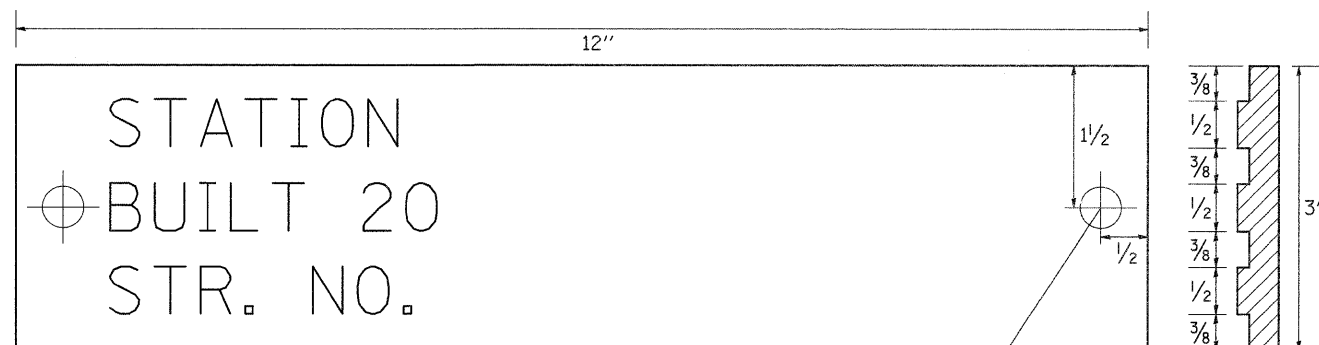


ALL DIMENSIONS ARE IN MILLIMETERS (INCHES) UNLESS OTHERWISE NOTED.

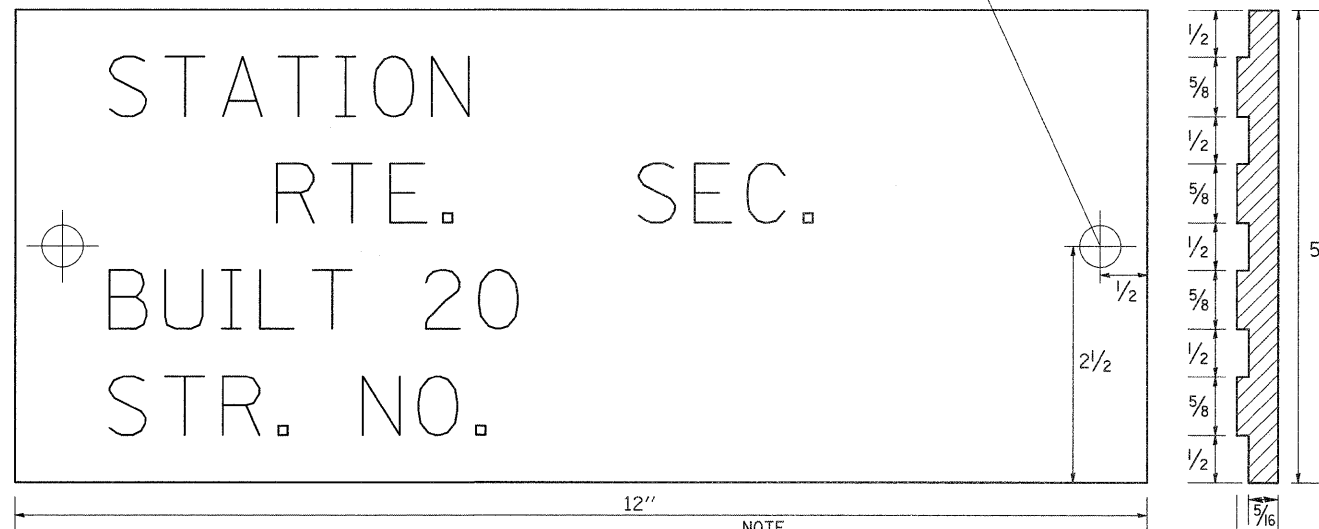
REVISED - 10-21-08

NAME PLATE FOR CULVERTS

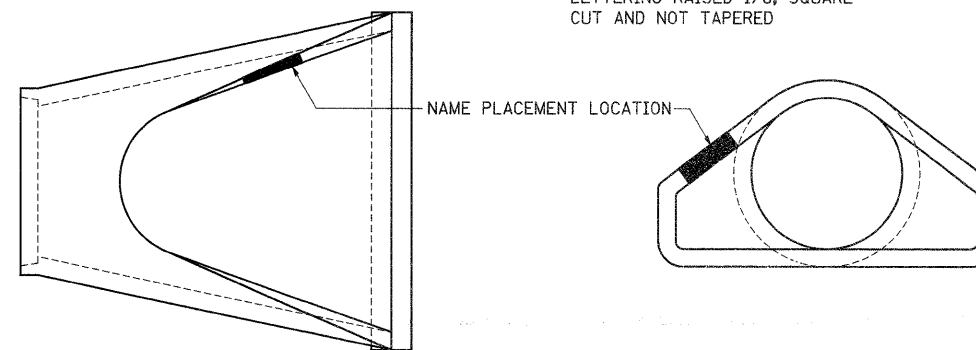
FOR 24"-42" PIPE CULVERTS



FOR 48"-84" PIPE CULVERTS



NOTE
LETTERING RAISED 1/8, SQUARE CUT AND NOT TAPERED



DESIGNERS NOTE

SEE STD. 515001

USE STANDARD 515001 FOR BRIDGES AND MULTI-CELL CULVERTS WITH SPANS OF 20' OR MORE MEASURED ALONG THE CENTERLINE AT THE HIGHWAY.

USE THIS DETAIL FOR ALL OTHER PIPE CULVERTS & BOX CULVERTS WITH STRUCTURE NUMBERS. INCLUDE THE INFORMATION TO FILL OUT THE NAME PLATE FOR EACH CULVERT.

IN BOTH CASES INCLUDE A PAY ITEM FOR NAME PLATES.

STATION	STRUCTURE NO.
STA. 249+74	043-1086

REVISED 5-27-09	REGION 2 / DISTRICT 2 STANDARD		F.A.P. RTE. 301	SECTION 31T	COUNTY JO DAVIESS	TOTAL SHEETS 160	SHEET NO. 59
REVISED -	SCALE: 50,000' / IN	SHEET NO. OF SHEETS	STA. TO STA.	FED. ROAD DIST. NO. ILLINOIS FED. AID PROJECT		CONTRACT NO. 64D92	