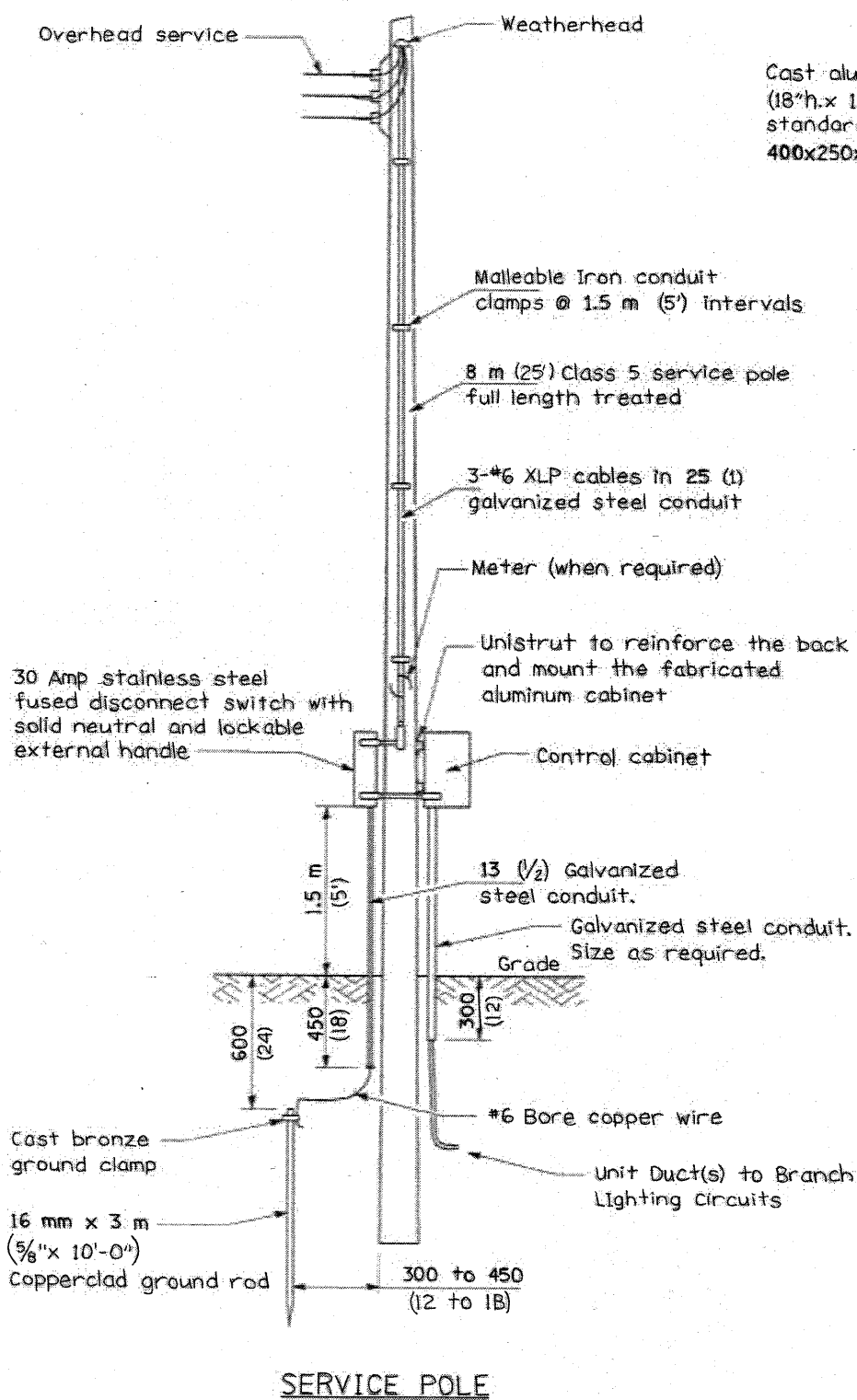


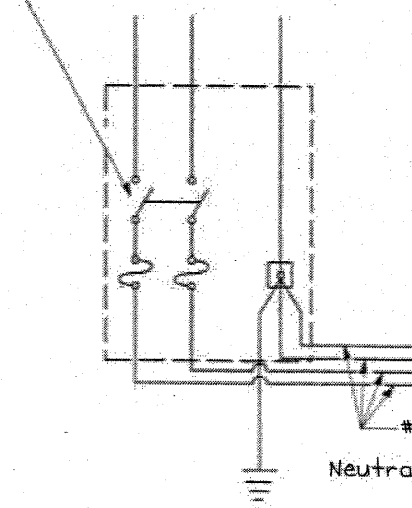
120/240V., 1 PHASE, 3 WIRE SERVICE



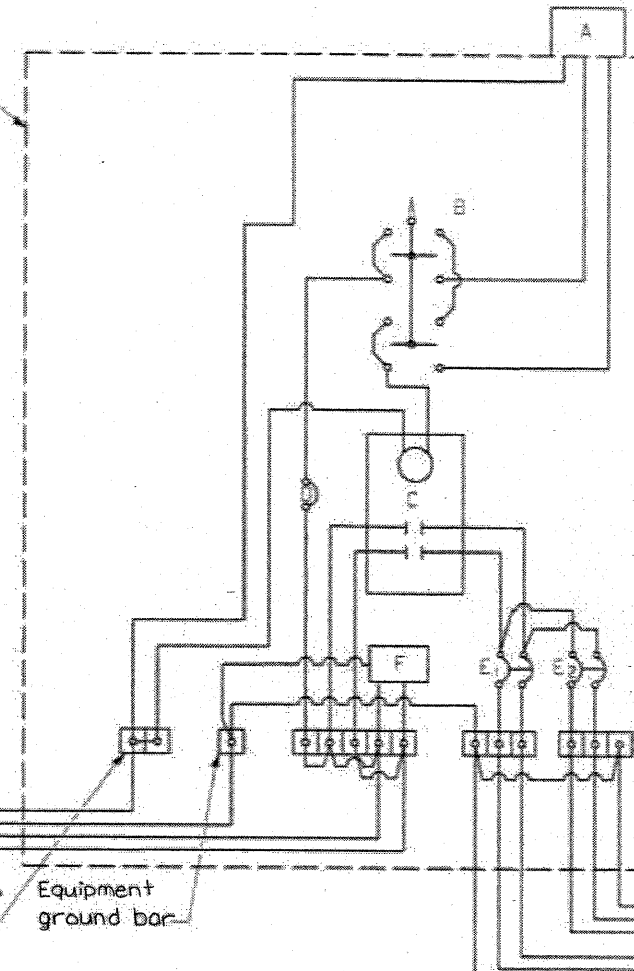
**SERVICE POLE**

Cast aluminum cabinet 450h.x300w.x200d. (18"h.x 12"w.x 8"d.). Aluminum door with standard traffic signal lock and key and 400x250x13 (16"x10"x1/2") mounting board.

2 Pole, 3 wire, 30A. disconnect switch, NEMA 4X, fused 30A.



**DISCONNECT SWITCH**



**PHOTOCELL RELAY**

- A Photocell with integral surge arrester
- B 3 Position selector switch HAND-OFF-AUTO
- C 60 amp electrically held contactor
- D 15 amp, 1 pole, circuit breaker
- E 20 amp, 2 pole, branch circuit breaker. Two spare breakers are required but are not shown
- F Surge arrester (\* = Size larger as needed)

**GENERAL NOTES**

Wiring shall be panel board fashion. All bends shall be right angles. All runs shall be vertical or parallel to panel board. Wires shall be grouped or laced.

All control installation components shall be U.L. listed.

Label equipment ground and neutral.

Locate service pole and control installation adjacent to R.O.W. line with a minimum distance of 9 m (30') from the edge of pavement. Exact location shall be established by the Engineer.

The total distance between the control installation and primary transformer shall not exceed 75 m (250').

This detail should only be used for lighting systems with four (4) light poles or less.

All dimensions are in millimeters (inches) unless otherwise shown.

DATE	REVISIONS
	Corrected 1/19/06
1/17/08	Service disconnect
2/3/08	SA wiring, cabinet notes
1/14/10	Revised for 30A LGT CTL

**CONTROL INSTALLATION Service Pole Mounted**

F.A.P. RTE.	SECTION	COUNTY	TOTAL SHEETS	SHEET NO.
309	(20-1)A	WHITESIDE	53	27

CONTRACT NO 64537