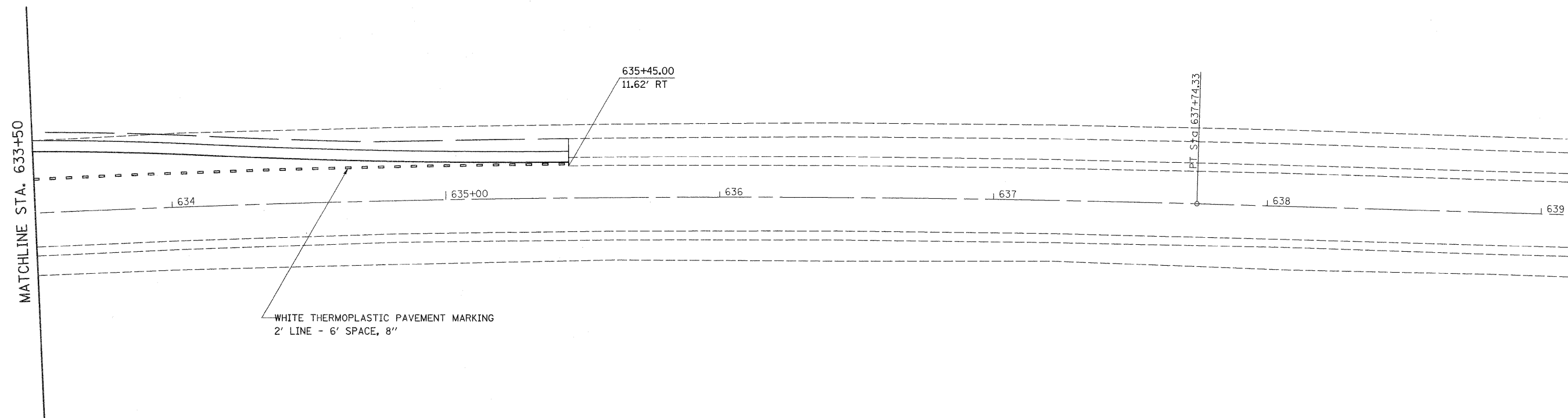
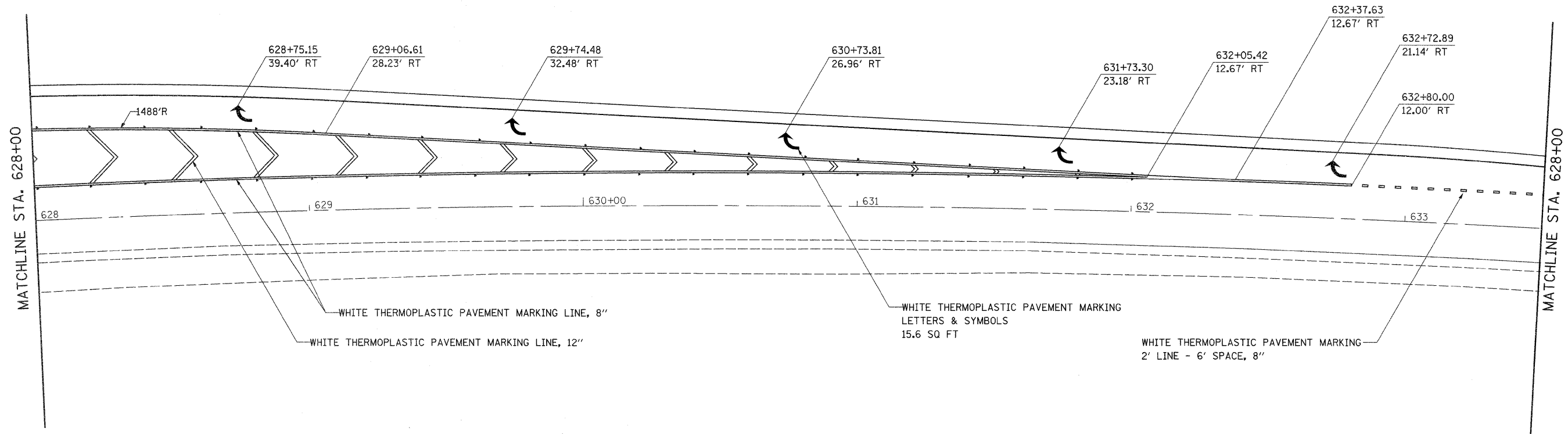


PAVEMENT MARKING DETAILS



▶=ONE-WAY CRYSTAL MARKER
 ◆=TWO-WAY AMBER MARKER

FILE NAME =	USER NAME = hensonke	DESIGNED -	REVISED -
et\pwwork\PWIDOT\HENSONKE\d0128026\p01708p.mxd		DRAWN -	REVISED -
	PLOT SCALE = 20.0000' / IN.	CHECKED -	REVISED -
	PLOT DATE = Tue Dec 01 15:18:47 2009	DATE -	REVISED -

STATE OF ILLINOIS
 DEPARTMENT OF TRANSPORTATION

US RTE 30
 PAVEMENT MARKING DETAILS

SCALE: SHEET NO. OF SHEETS STA. TO STA.

F.A.P. RTE.	SECTION	COUNTY	TOTAL SHEETS	SHEET NO.
309	(20-1)M	WHITESIDE	53	33
CONTRACT NO. 64F37				
ILLINOIS FED. AID PROJECT				