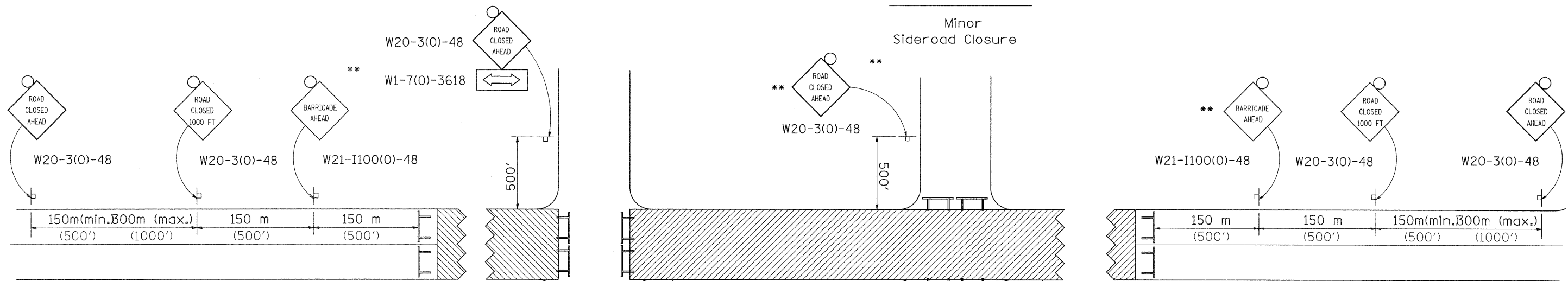


# TRAFFIC CONTROL FOR ROAD CLOSURE

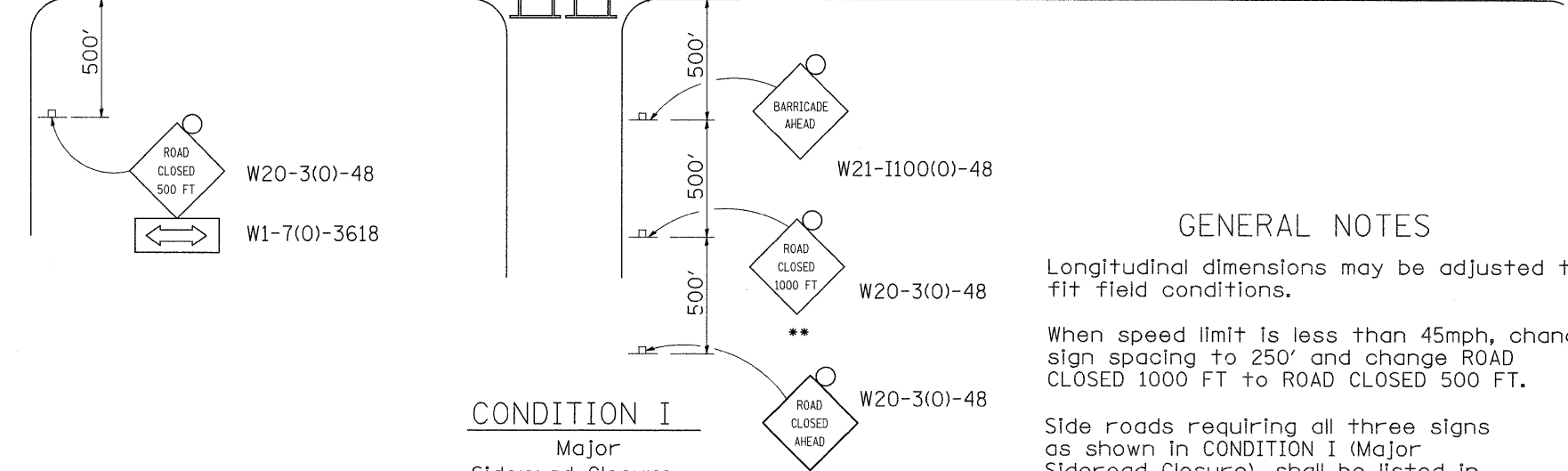
## CONDITION II

Minor Sideroad Closure



## CONDITION I

Major Sideroad Closure



### GENERAL NOTES

Longitudinal dimensions may be adjusted to fit field conditions.

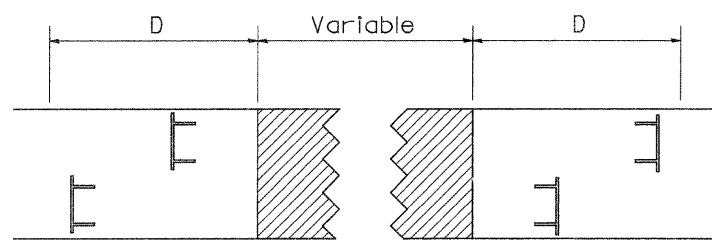
When speed limit is less than 45mph, change sign spacing to 250' and change ROAD CLOSED 1000 FT to ROAD CLOSED 500 FT.

Side roads requiring all three signs as shown in CONDITION I (Major Sideroad Closure), shall be listed in the special provision.

\*\* Where local access is to be maintained, barricades are to be set up as shown in Road Closed to thru traffic. Type III Barricades and R11-2-4830 signs shall be as shown in "Road Closed To All Traffic" detail on Highway Standard 701901.



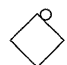
All dimensions are in millimeters (inches) unless otherwise shown.

### ROAD CLOSED TO THRU TRAFFIC BARRICADE SET UP



Type III Barricades and R11-4-4830 signs shall be as shown in "Road Closed To All Thru Traffic" detail on Highway Standard 701901. If the distance "D" exceeds 600 m (2000') an additional set of barricades and R11-4-4830 shall be placed at each end of the work area.

### SYMBOLS

-  Work area
-  Type III Barricade with Flashers
-  Sign with flashing light

### TYPICAL APPLICATION FOR ROAD CLOSURE

FILE NAME =	USER NAME = hensonke	DESIGNED -	REVISED - 1-11-08	<b>STATE OF ILLINOIS DEPARTMENT OF TRANSPORTATION</b>	<b>US RTE 30 REGION 2 / DISTRICT 2 STANDARD</b>	F.A.P. RTE.	SECTION	COUNTY	TOTAL SHEETS	SHEET NO.	
cr\pwwork\pwwork\hensonke\d0128026\020708-details.dgn	708-details.dgn	DRAWN -	REVISED -			309	(20-11M)	WHITESIDE	53	37	
PLOT SCALE = 50.0000' / IN.		CHECKED -	REVISED -			CONTRACT NO. 64F37					
PLOT DATE = Tue Dec 01 14:51:03 2009		DATE -	REVISED -			FED. ROAD DIST. NO. ILLINOIS FED. AID PROJECT					