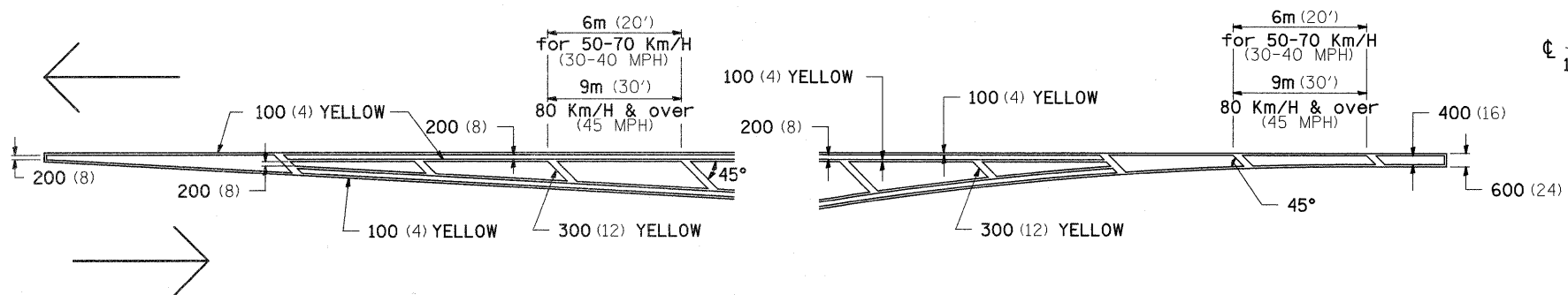
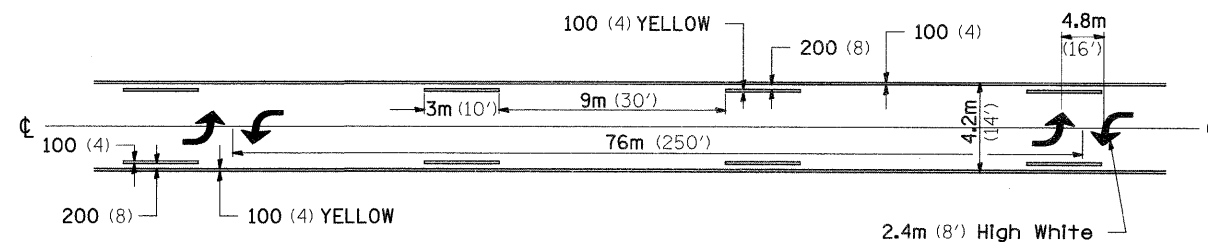


TYPICAL PAVEMENT MARKINGS

TYPICAL PAVEMENT MARKING FOR FLUSH MEDIAN AT LEFT TURN LANE

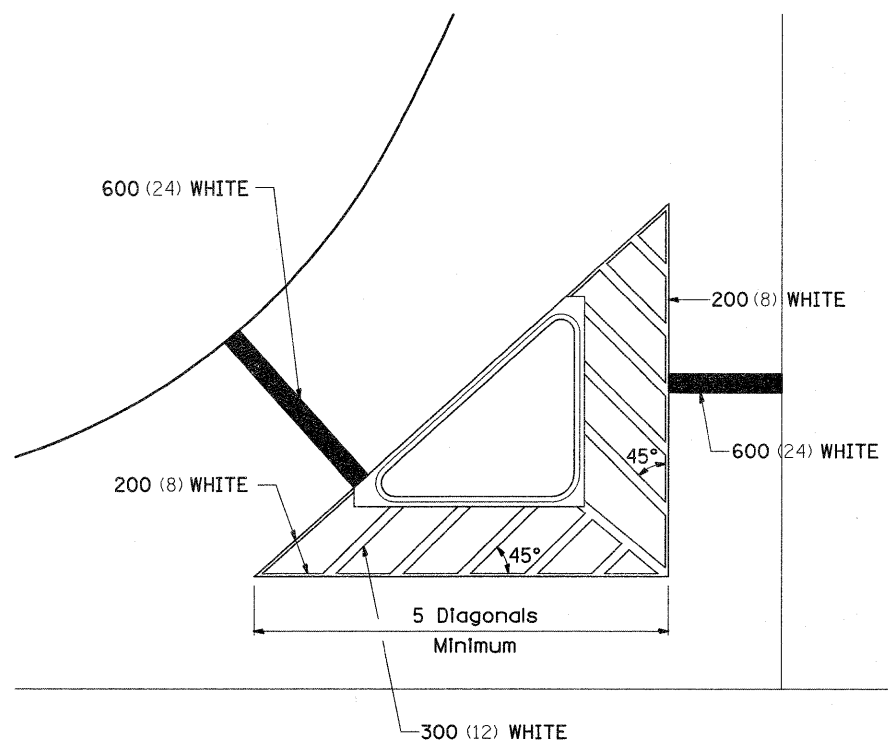


MEDIAN PAVEMENT MARKING

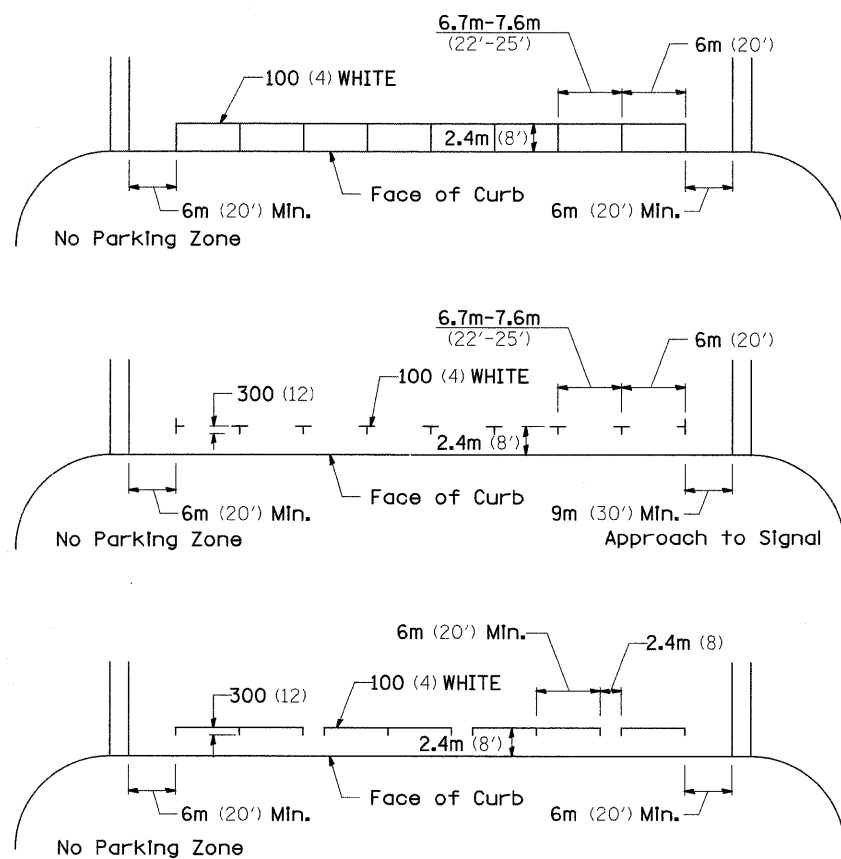


•• ALL DIMENSIONS ARE IN MILLIMETERS (INCHES) UNLESS OTHERWISE NOTED.

TYPICAL ISLAND OFFSET SHOULDER WIDTH

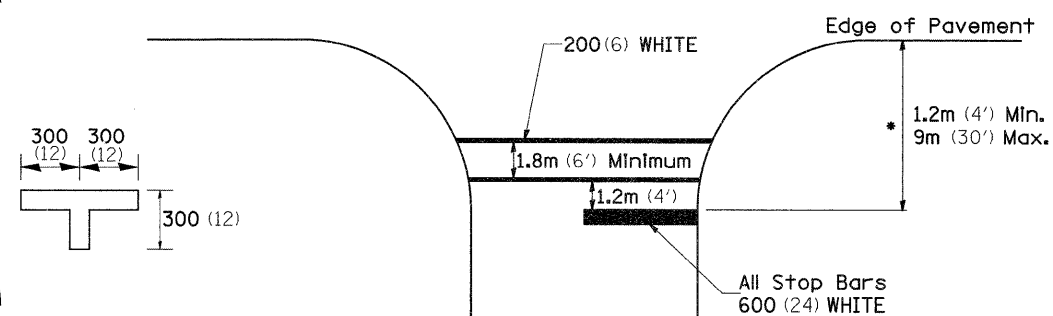


TYPICAL PARKING SPACING



STANDARD CROSSWALK MARKING

See Schedules for Locations



* Distance to the nearest edge of the intersecting roadway in the absence of a marked crosswalk.

FILE NAME =	USER NAME = hensonke	DESIGNED -	REVISED - 10-21-08	STATE OF ILLINOIS DEPARTMENT OF TRANSPORTATION	US RTE 30 REGION 2 / DISTRICT 2 STANDARD	F.A.P. RTE.	SECTION	COUNTY	TOTAL SHEETS	SHEET NO.	
c:\pwwork\pwwork\hensonke\d0128026\020700-deta1s.dgn	PLOT SCALE = 50.0000' / IN.	DRAWN -	REVISED -			309	(20-11M)	WHITESIDE	53	38	
PLOT DATE = Tue Dec 01 14:58:59 2009	DATE -	CHECKED -	REVISED -			CONTRACT NO. 64F37					
						FED. ROAD DIST. NO.	ILLINOIS FED. AID PROJECT				