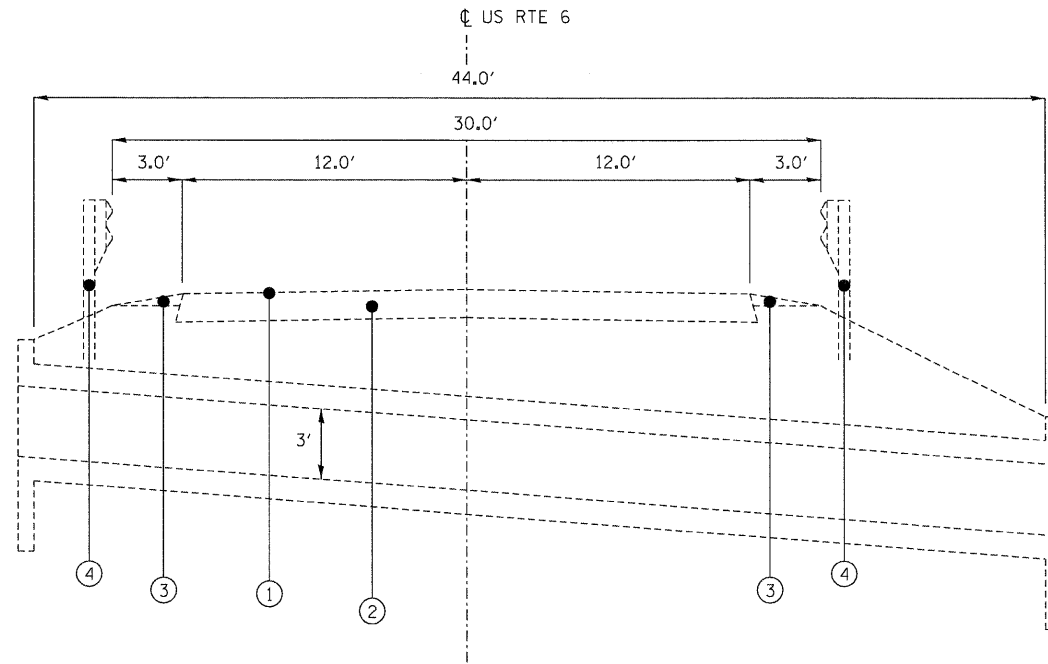


DATE _____ BY _____
 SURVEYED _____ CHECKED _____
 PLAN _____
 NOTE BOOK _____
 NO. _____

DATE _____ BY _____
 SURVEYED _____ CHECKED _____
 PROFILE _____
 NOTE BOOK _____
 NO. _____



EXISTING CULVERT TYPICAL SECTION

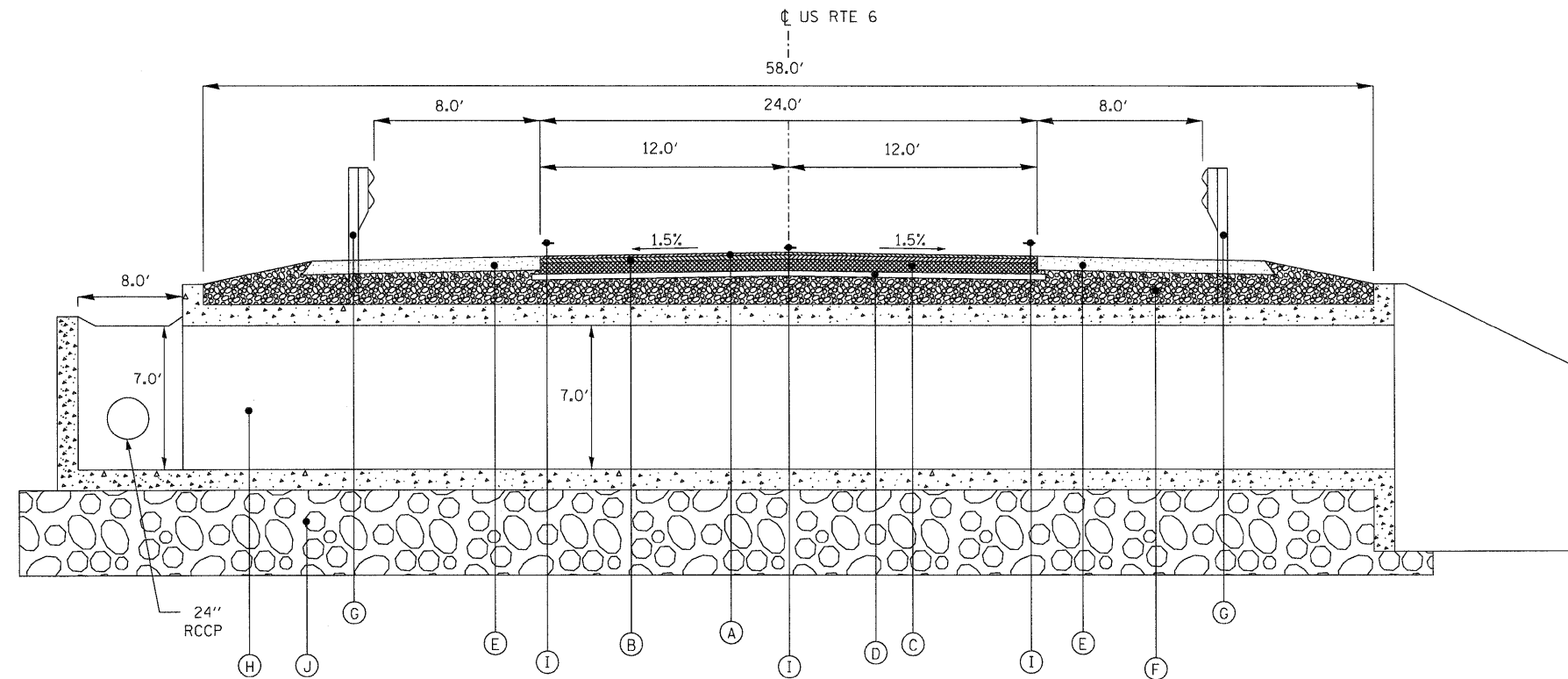
NTS
 FROM STA 149+25.00 TO STA 149+33.00

BITUMINOUS MIXTURE REQUIREMENTS

PAY ITEM	HMA LEVEL BINDER	HMA SURFACE	HMA BASE COURSE	HMA SHOULDERS
PG GRADE	PG64-22	PG64-22	PG64-22	PG58-22
DESIGN AIR VOIDS	4.0% @ N50	4.0% @ N50	4.0% @ N50	2.0% @ N30
MIXTURE COMPOSITION	IL 9.5	IL 12.5 OR IL 9.5	IL 19.0	IL 19.0
FRICTION AGGREGATE		MIXTURE C		
DENSITY TEST METHOD	SATISFACTION OF ENGINEER	CORES	CORES	CORES*

NOTE: WHEN MORE THAN 20% RAP IS USED, A SOFTER ASPHALT BINDER (PG58-22) MAY BE REQUIRED AS DETERMINED BY THE ENGINEER.

* MATERIAL SHALL BE COMPACTED TO 93.0 - 97.4 PERCENT OF THE MAXIMUM THEORETICAL DENSITY, EXCEPT THAT WHEN PLACED AS FIRST LIFT ON AN UNIMPROVED SUBGRADE THE MINIMUM PERCENT COMPACTION SHALL BE 92.0 PERCENT. THE MAXIMUM THEORETICAL DENSITY SHALL BE DETERMINED FROM THE MOVING AVERAGE AS SPECIFIED IN THE QC/QA SPECIFICATION.



PROPOSED BOX CULVERT TYPICAL SECTION LOOKING EAST

NTS
 FROM STA 149+22.42 TO STA 149+35.58

LEGEND:

EXISTING

- ① EXISTING HOT-MIX ASPHALT SURFACE COURSE, 1 1/2"
- ② EXISTING PAVEMENT, ± 12"
- ③ EXISTING AGGREGATE SHOULDER WEDGE
- ④ EXISTING STEEL PLATE BEAM GUARD RAIL

PROPOSED

- Ⓐ PROPOSED HOT-MIX ASPHALT SURFACE COURSE, MIX C, N50, 1 1/2"
- Ⓑ PROPOSED HOT-MIX ASPHALT LEVELING BINDER, N50, 3/4"
- Ⓒ PROPOSED HOT-MIX ASPHALT BASE COURSE, 10 1/2"
- Ⓓ PROPOSED SUB-BASE GRANULAR MATERIAL, TYPE A, 4"
- Ⓔ PROPOSED HOT-MIX ASPHALT SHOULDERS, 8"
- Ⓕ PROPOSED POROUS GRANULAR EMBANKMENT
- Ⓖ PROPOSED STEEL PLATE BEAM GUARD RAIL, ATTACHED TO STRUCTURES
- Ⓗ PROPOSED CONCRETE BOX CULVERT 12' X 7'
- Ⓘ PAVEMENT MARKING
- Ⓝ ROCK FILL

FILE NAME =	USER NAME = #USER*	DESIGNED DB/CW	REVISED -	STATE OF ILLINOIS DEPARTMENT OF TRANSPORTATION	TYPICAL SECTIONS SN 050-2643 SHEET 2 OF 2	F.A.P. RTE.	SECTION	COUNTY	TOTAL SHEETS	SHEET NO.
#FILEL*	DRAWN DB/NS	REVISOR	623			(H)-1	LASALLE	25	5	
PLOT SCALE = #SCALE*	CHECKED AS	REVISOR	CONTRACT NO. 66914							
PLOT DATE = #DATE*	DATE DECEMBER 09, 2009	REVISOR	FED. ROAD DIST. NO. [ILLINOIS] FED. AID PROJECT							
						SCALE: NTS	SHEET NO. 5 OF 25 SHEETS	STA.	TO STA.	