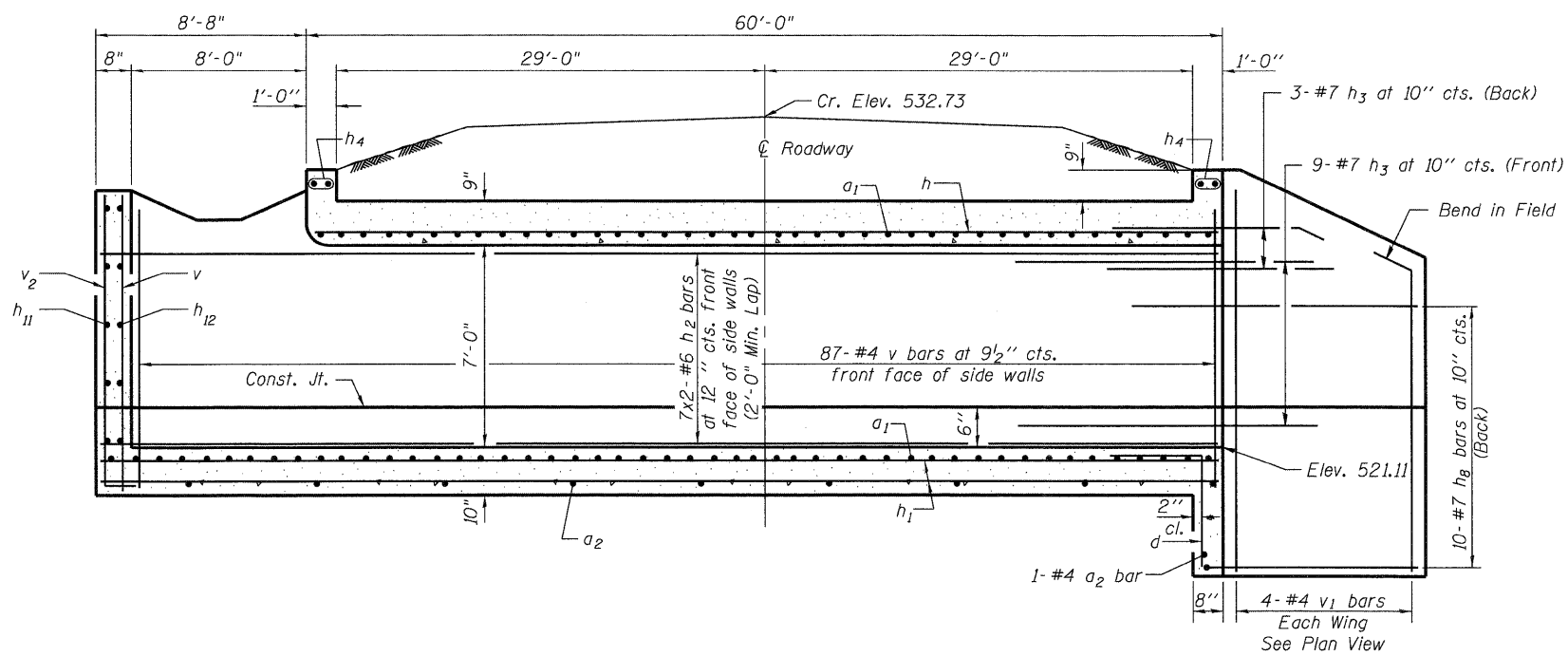
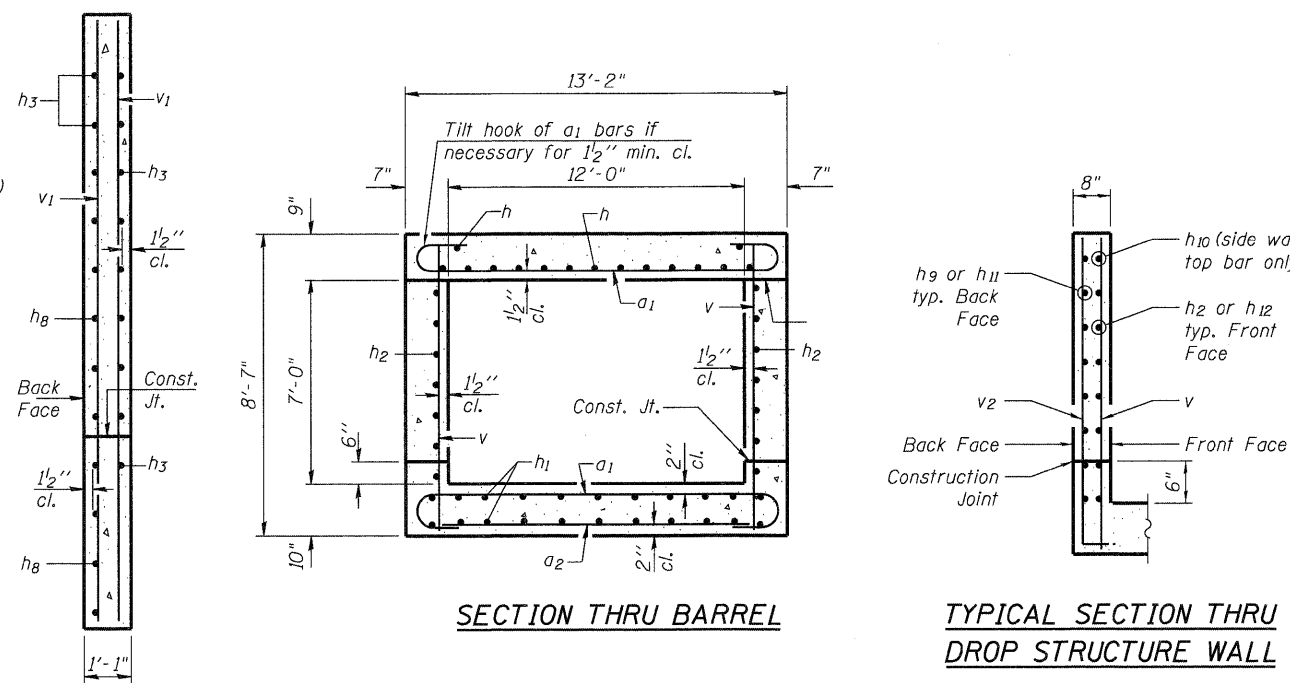


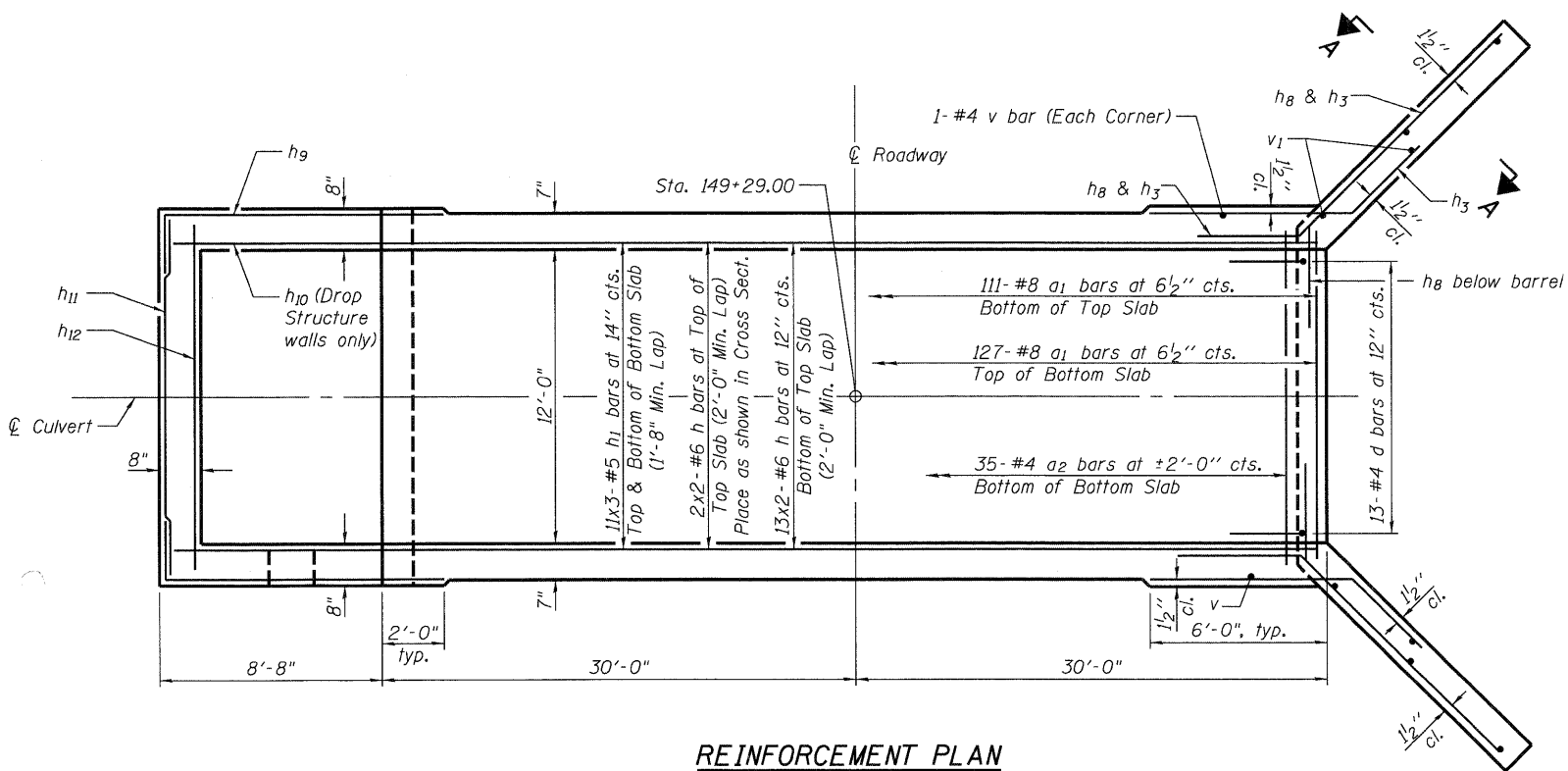
STATE OF ILLINOIS
DEPARTMENT OF TRANSPORTATION



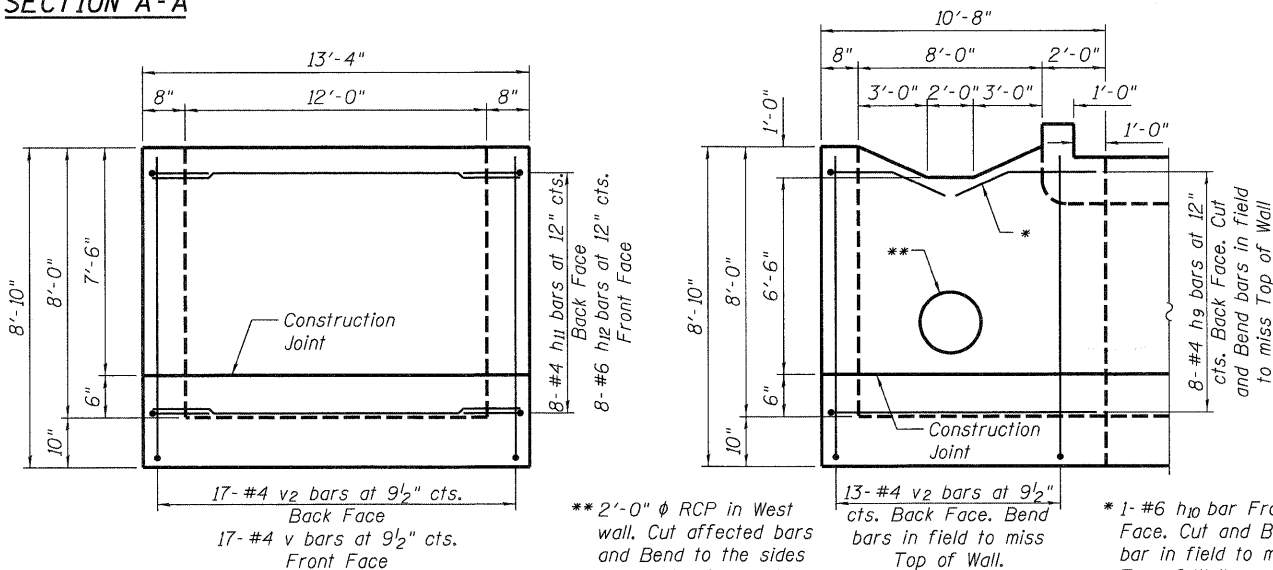
LONGITUDINAL SECTION



SECTION A-A



REINFORCEMENT PLAN



DROP STRUCTURE TYPICAL
END WALL ELEVATION

DROP STRUCTURE TYPICAL
SIDE WALL ELEVATION

MINIMUM BAR LAP
#5 bar = 1'-8"
#6 bar = 2'-0"

REINFORCEMENT DETAILS
US ROUTE 6 OVER UNNAMED
TRIBUTARY TO THE ILLINOIS RIVER
STRUCTURE NO. 050-2643

DESIGNED	LM
CHECKED	GBC / SMK
DRAWN	LM
CHECKED	GBC / SMK

SHEET NO. 3 OF 4 SHEETS	F.A.P. RTE.	SECTION	COUNTY	TOTAL SHEETS	SHEET NO.
	623	(H)-1	LASALLE	25	16
FED. ROAD DIST. NO. 1			ILLINOIS	FED. AID PROJECT	
			CONTRACT NO. 66914		

Delta Engineering, Inc.
CONSULTING ENGINEERS, CONSTRUCTION MANAGERS, SUPERVISORS
111 N. Jackson Blvd. Suite 110 Chicago, IL 60604-2001