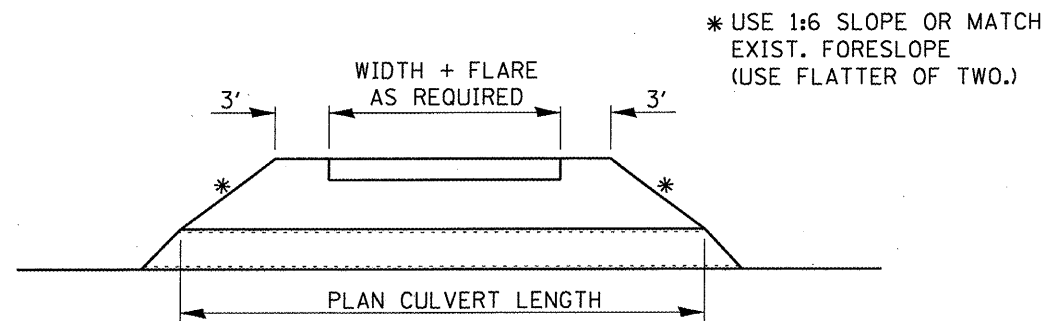


**SECTION A-A**



**FIELD ENTRANCE DETAIL**

FILE NAME *	USER NAME = woodshank-r1	DESIGNED - RON WOOD SHANK	REVISED -
c:\pvt_work\pwwidot\woodshank-r1\d0135041\086939-detail1.s.dgn		DRAWN - RON WOOD SHANK	REVISED -
	PLOT SCALE = 100.0000' / IN.	CHECKED -	REVISED -
	PLOT DATE = Nov 24, 2009 - 01:58:24 PM	DATE -	REVISED -

STATE OF ILLINOIS  
DEPARTMENT OF TRANSPORTATION

**FIELD ENTRANCE DETAILS**

SCALE: SHEET NO. 1 OF 1 SHEETS

F.A.P. RTE.	SECTION	COUNTY	TOTAL SHEETS	SHEET NO.
573/557	(116,128)T	DE KALB	21	16
			CONTRACT NO. 66939	
ILLINOIS				