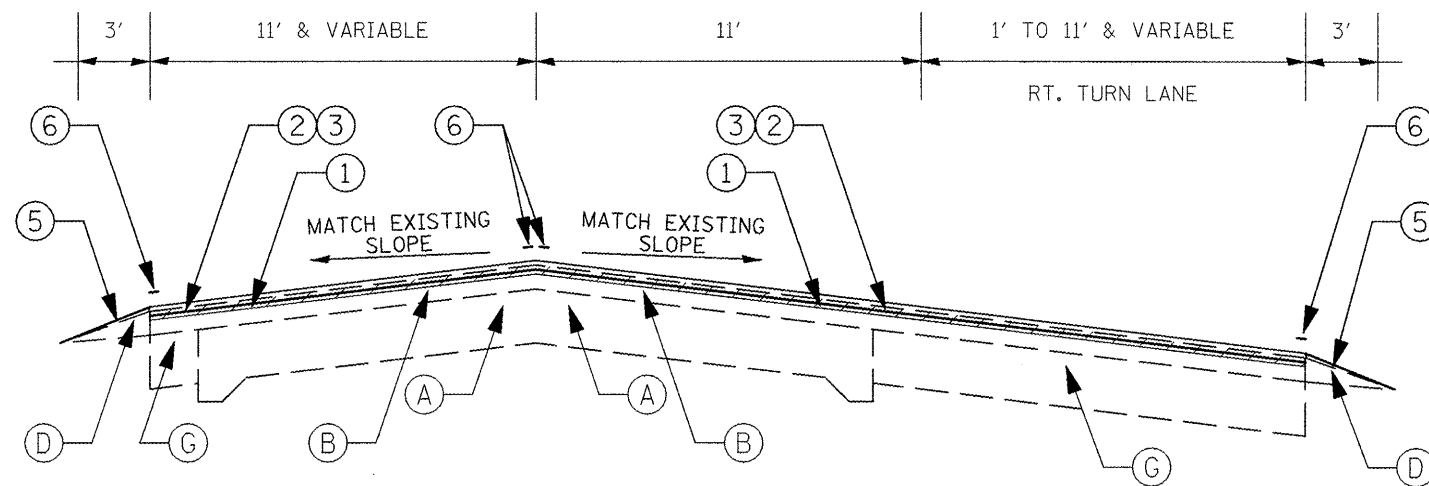


LT. & RT. STA. 493+00.00 TO STA. 504+00.00
 LT. & RT. STA. 521+50.82(BK)=522+32.54(AH) TO STA. 671+68.90
 LT. & RT. STA. 679+68.90 TO STA. 755+19.00

LEGEND - EXISTING

- (A) PCC PAVEMENT
- (B) BITUMINOUS OVERLAY
- (C) BITUMINOUS SHOULDER
- (D) AGGREGATE SHOULDER
- (E) COMB. CONC. CURB & GUTTER
TYPE M-6.12 OR CONC. GUTTER
- (F) CONC. MEDIAN SURFACE OR GRASS MEDIAN
- (G) WIDENING



LT. & RT. STA. 671+68.90 TO STA. 679+68.90

LEGEND - PROPOSED

- (1) HMA SURFACE REMOVAL, 1 1/2"
- (2) HMA - LEVELING BINDER, 3/4"
- (3) HMA - SURFACE CSE., 1-1/2"
- (4) BITUMINOUS SHOULDER
- (5) AGGREGATE SHOULDER, TYPE B
- (6) URETHANE PAVEMENT MARKING

FILE NAME = 0468472-shr-typical.dgn	USER NAME = toroja	DESIGNED -	REVISED -
		DRAWN -	REVISED -
		CHECKED -	REVISED -
		DATE -	REVISED -

**STATE OF ILLINOIS
DEPARTMENT OF TRANSPORTATION**

TYPICAL SECTIONS

SCALE: SHEET NO. 2 OF SHEETS STA. TO STA.

F.A.S. RTE.	SECTION	COUNTY	TOTAL SHEETS	SHEET NO.
2400	106RS-2; 107RS-4; 108RS-3	KNOX	29	10
CONTRACT NO. 68472				
ILLINOIS FED. AID PROJECT				