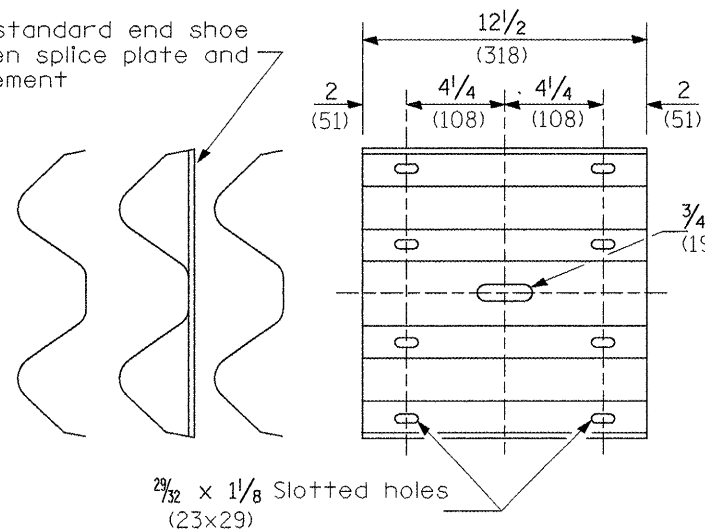
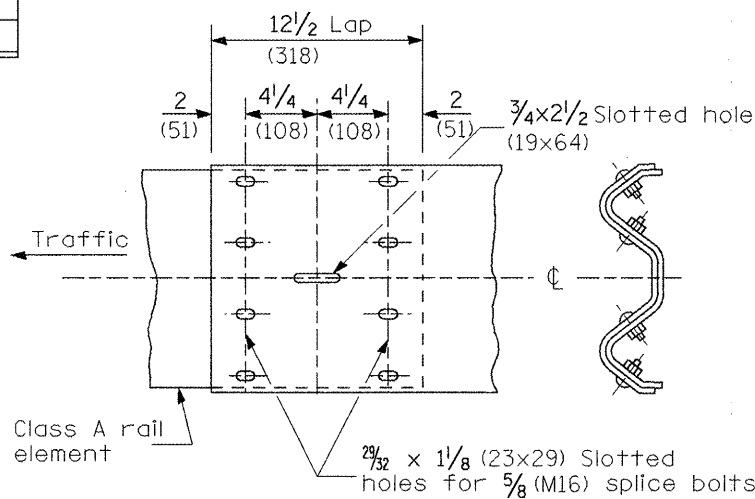


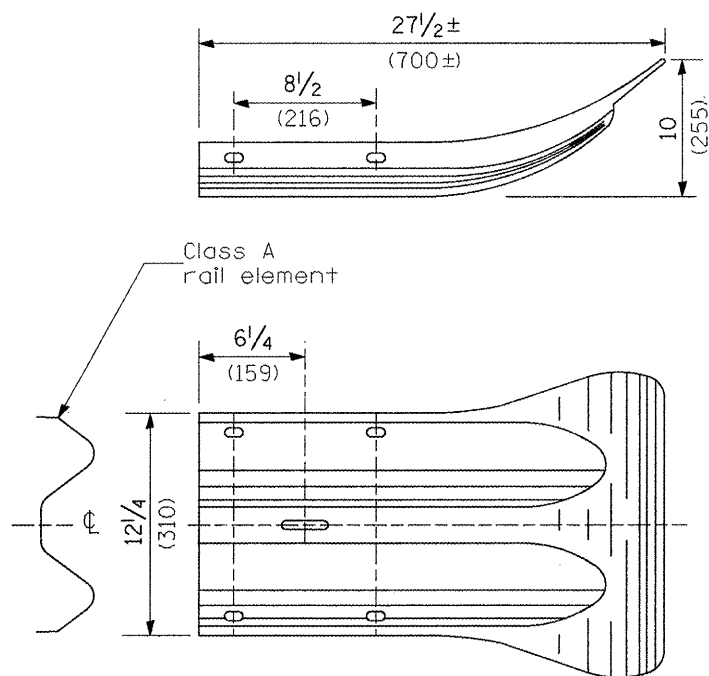
Place standard end shoe between splice plate and rail element



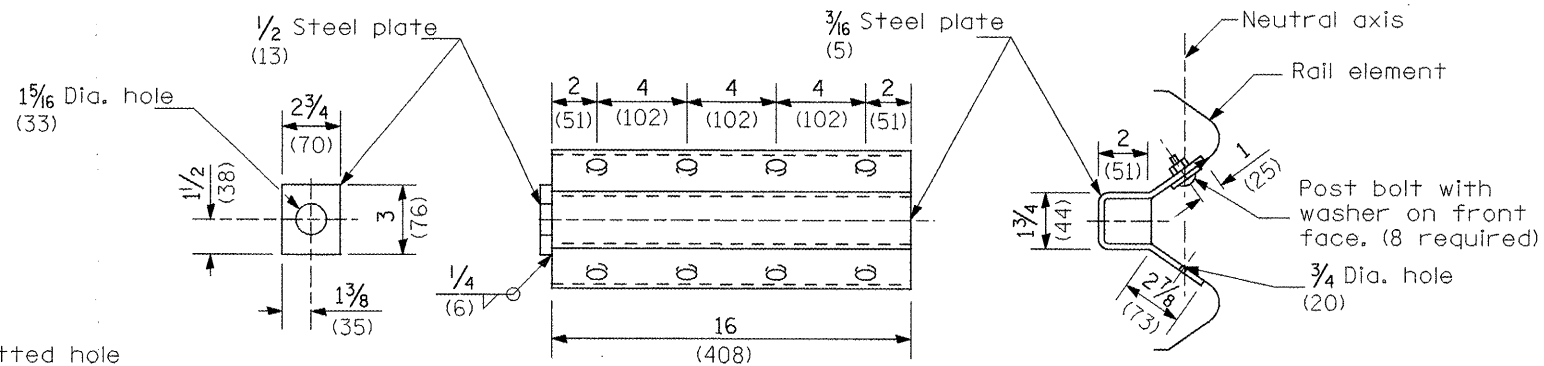
SPLICE PLATE



RAIL ELEMENT SPLICE



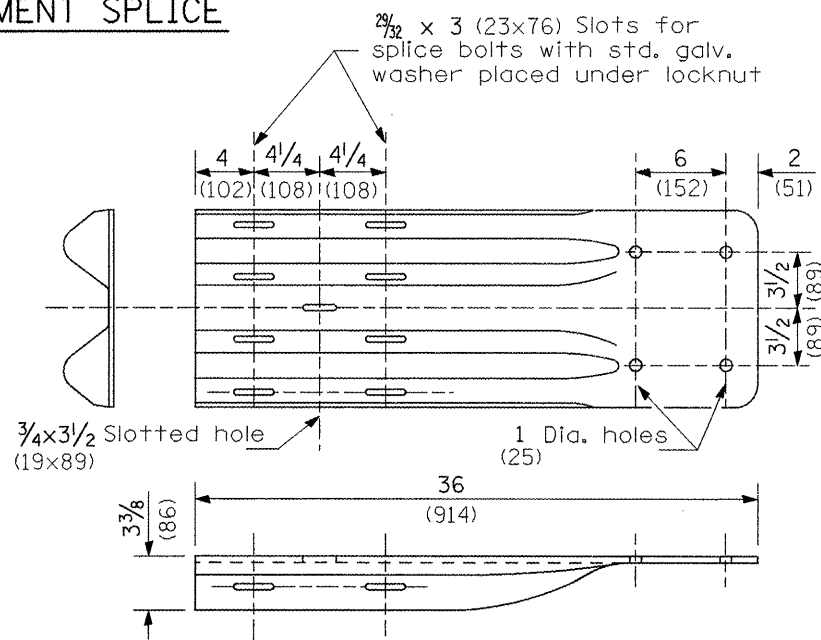
END SECTION



NOTE

Anchor plate T shall be used to attach cable assembly to guardrail when required on traffic barrier terminals.

ANCHOR PLATE T DETAILS



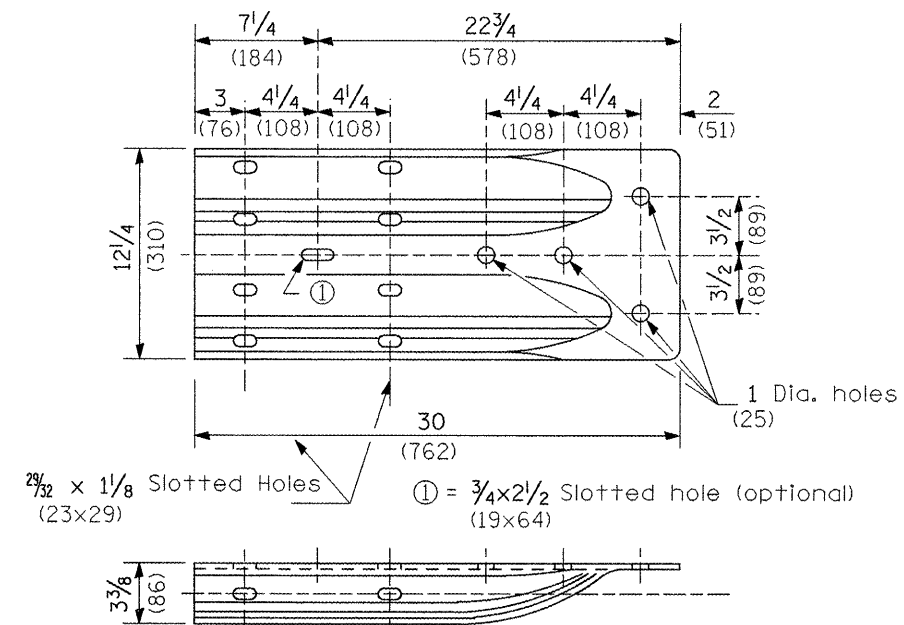
NOTE

When end shoe is attached to a bridge parapet which has an expansion joint, the bolts shall be provided with a locknut or double nut and shall be tightened only to a point that will allow guardrail movement.

The standard end shoe shall be attached to the concrete with pre-drilled or self-drilling anchor bolts. The anchor cone shall be set flush with the surface of the concrete.

Externally threaded studs protruding from the surface of the concrete will not be permitted.

END SHOE



ALTERNATE END SHOE

All dimensions are in inches (millimeters) unless otherwise noted.

STATE OF ILLINOIS
DEPARTMENT OF TRANSPORTATION

GUARDRAIL SPECIAL DETAIL
(See Schedule of Quantities for Applicable H.W. Std or this Detail)

F.A.S. RTE.	SECTION	COUNTY	TOTAL SHEETS	SHEET NO.
2400	106RS-2; 107RS-4; 108RS-3	KNOX	29	20
CONTRACT NO. 68472				

NOT TO SCALE

SHT. 3 OF 4