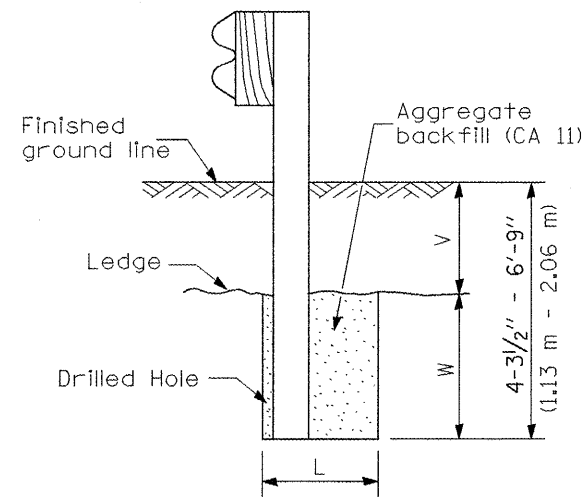


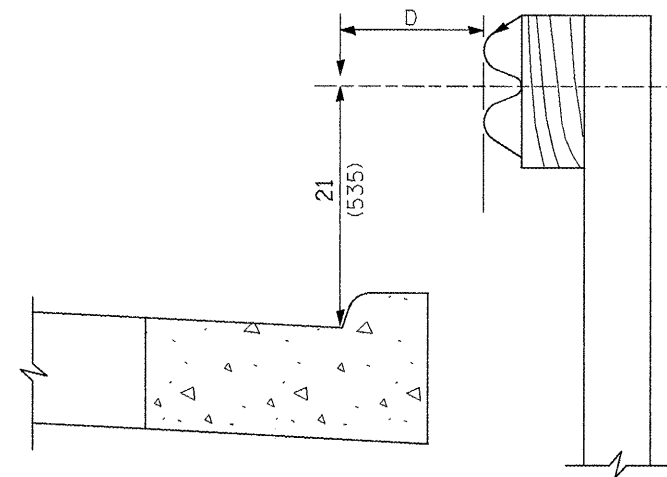
PLAN



Note:
Ledge line is top of rock ledge or hard slag fill.

ELEVATION

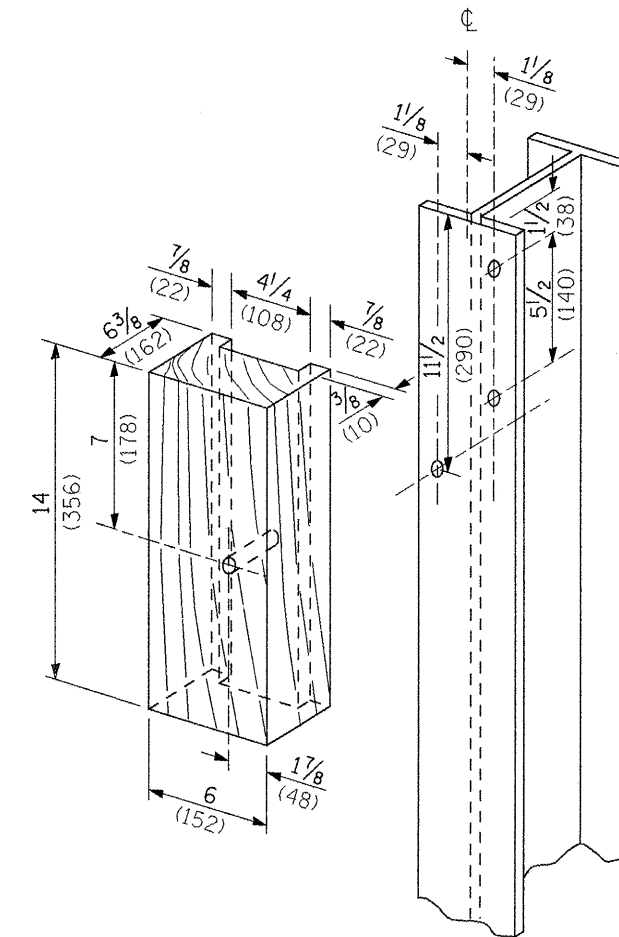
FOOTING FOR POST WHEN IMPERVIOUS MATERIAL IS ENCOUNTERED



Note:
If it is necessary for D to be more than 12 (300) and less than 10'-0" (3.0 m) type M-2 (M-5) curb and gutter (Std. 606001) shall be used in front of and in advance of the guardrail.

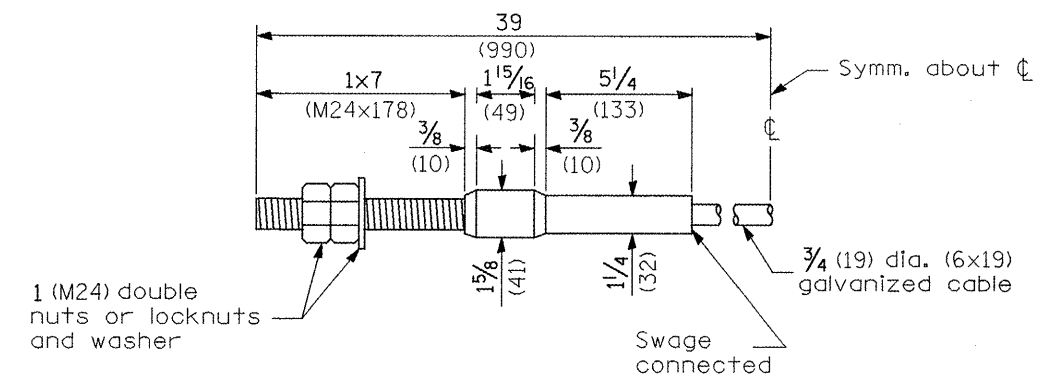
GUARDRAIL PLACED BEHIND CURB

(D = 0 desirable to 12 (300) maximum)



WOOD BLOCK-OUT AND STEEL POST DETAILS

| V | W | L | |
|---------------------------------|---------------------|-------------|-------------|
| | | Steel Post | Wood Post |
| 0 - 18 (0 - 460) | 24 (610) | 21 (530) | 23 (580) |
| >18 - 41.5 (>460 - 825) | 12 (305) | 8 (203) | 10 (250) |
| >41.5 - 53.5 (>825 - 1.13 m) | 12 - 0 (305 - 0) | 8 (203) | 10 (250) |



CABLE ASSEMBLY

(18,100 kg (40,000 lbs.) min. breaking strength)
Tighten to taut tension.

All dimensions are in inches (millimeters) unless otherwise noted.