

IL 17/91

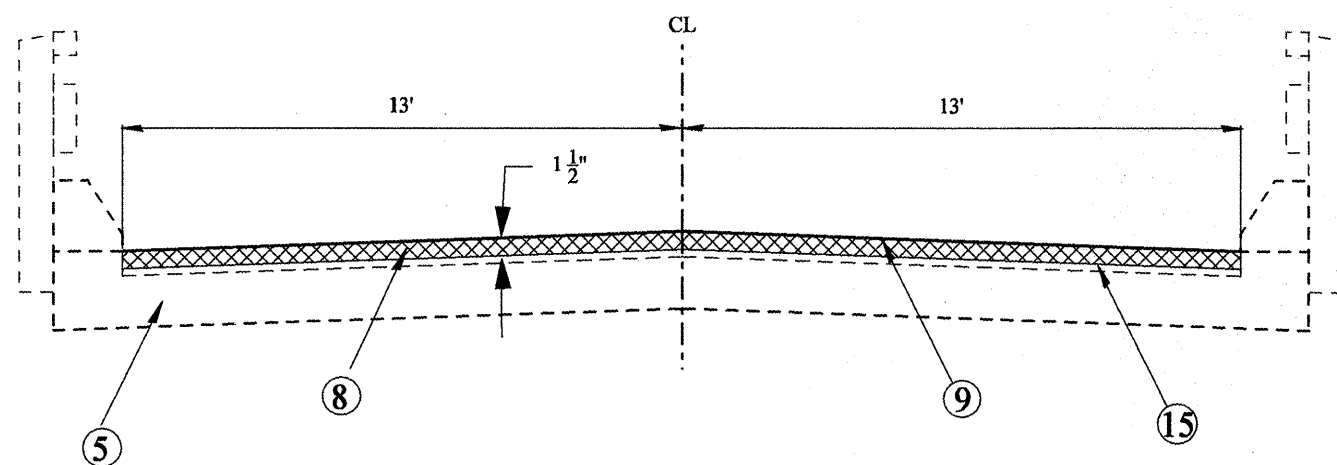
STA 13+28 TO STA 18+92
 STA 22+84 TO STA 30+81
 STA 79+61 TO STA 90+33
 STA 95+35 TO STA 99+23
 STA 111+08 TO STA 129+35
 STA 132+00 TO STA 142+28
 STA 138+12 TO STA 147+89
 STA 187+54 TO STA 209+22

IL 17

STA 7+32 TO STA 21+87
 STA 23+78 TO STA 57+30
 STA 67+20 TO STA 336+20

LEGEND

1. EXISTING PAVEMENT
2. EXISTING BITUMINOUS OVERLAY
3. EXISTING COMBINATION CURB AND GUTTER
4. EXISTING CONCRETE GUTTER
5. EXISTING BRIDGE DECK
6. EXISTING HOT-MIX ASPHALT SHOULDER
7. PROPOSED HOT-MIX ASPHALT SURFACE REMOVAL, 1"
8. PROPOSED HOT-MIX ASPHALT SURFACE REMOVAL 1 1/2"
9. PROPOSED HOT-MIX ASPHALT SURFACES CSE, MIX D, N50, 1 1/2"
10. PROPOSED POLYMERIZED LEVELING BINDER (MACHINE METHOD) N50, 3/4"
11. PROPOSED STRIP REFLECTIVE CRACK CONTROL TREATMENT
12. PROPOSED HOT-MIX ASPHALT SURFACE REMOVAL, VARIABLE DEPTH
13. PROPOSED AGGREGATE SHOULDER TYPE B (WEDGE)
14. PROPOSED GUARDRAIL AGGREGATE EROSION CONTROL
15. EXISTING WATERPROOF MEMBRANE



BRIDGE STA 62+52 TO STA 64+70 (IL 17/91)

FILE NAME = D468747-shr-plan.dgn	USER NAME = mendezpj	DESIGNED -	REVISED -
		DRAWN -	REVISED -
		CHECKED -	REVISED -
		DATE -	REVISED -

STATE OF ILLINOIS
 DEPARTMENT OF TRANSPORTATION

TYPICAL SECTIONS

SCALE: NONE SHEET NO. OF SHEETS STA. TO STA.

F.A.P. RTE.	SECTION	COUNTY	TOTAL SHEETS	SHEET NO.
643	(11,12)RS-2+(6)WRS-3+(10)RS-4	STARK	45	8
CONTRACT NO. 68747				
ILLINOIS FED. AID PROJECT				