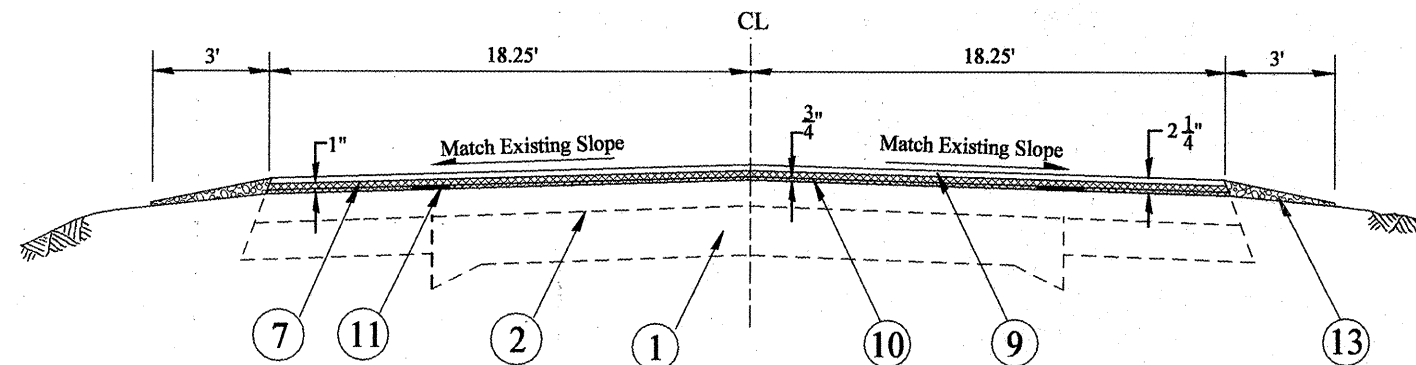
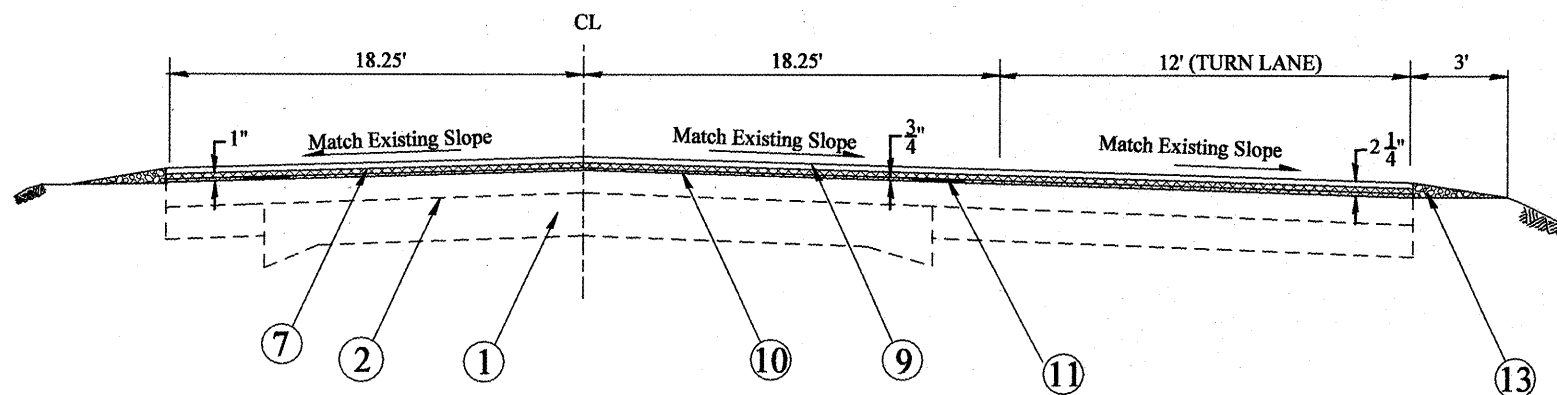


STA 4+00 TO STA 13+28 (IL 17/91)
 STA 21+87 TO STA 23+87 (LT BIT SHOULDER) (IL 17)



STA 336+20 TO STA 339+20 (TAPER) (IL 17)
 STA 339+20 TO STA 343+63 (IL 17)



STA 343+63 TO STA 344+68.55 (IL 17)
 STA 344+68.55 TO STA 346+24 (TAPER) (IL 17)

LEGEND

- 1. EXISTING PAVEMENT
- 2. EXISTING BITUMINOUS OVERLAY
- 3. EXISTING COMBINATION CURB AND GUTTER
- 4. EXISTING CONCRETE GUTTER
- 5. EXISTING BRIDGE DECK
- 6. EXISTING HOT-MIX ASPHALT SHOULDER
- 7. PROPOSED HOT-MIX ASPHALT SURFACE REMOVAL, 1"
- 8. PROPOSED HOT-MIX ASPHALT SURFACE REMOVAL 1 1/2"
- 9. PROPOSED HOT-MIX ASPHALT SURFACES CSE, MIX D, N50, 1 1/2"
- 10. PROPOSED POLYMERIZED LEVELING BINDER (MACHINE METHOD) N50, 3/4"
- 11. PROPOSED STRIP REFLECTIVE CRACK CONTROL TREATMENT
- 12. PROPOSED HOT-MIX ASPHALT SURFACE REMOVAL, VARIABLE DEPTH
- 13. PROPOSED AGGREGATE SHOULDER TYPE B (WEDGE)
- 14. PROPOSED GUARDRAIL AGGREGATE EROSION CONTROL
- 15. EXISTING WATERPROOF MEMBRANE

FILE NAME =
 D468747-sht-plan.dgn

USER NAME = mendezp
 PLOT SCALE = 1/8" = 100.0000' / IN.
 PLOT DATE = 12/7/2009

DESIGNED -	REVISED -
DRAWN -	REVISED -
CHECKED -	REVISED -
DATE -	REVISED -

**STATE OF ILLINOIS
 DEPARTMENT OF TRANSPORTATION**

TYPICAL SECTIONS

SCALE: NONE SHEET NO. OF SHEETS STA. TO STA.

F.A.P. RTE.	SECTION	COUNTY	TOTAL SHEETS	SHEET NO.
643	(11,12)RS-2+(6)WRS-3+(10)RS-4	STARK	45	11
CONTRACT NO. 68747			ILLINOIS FED. AID PROJECT	