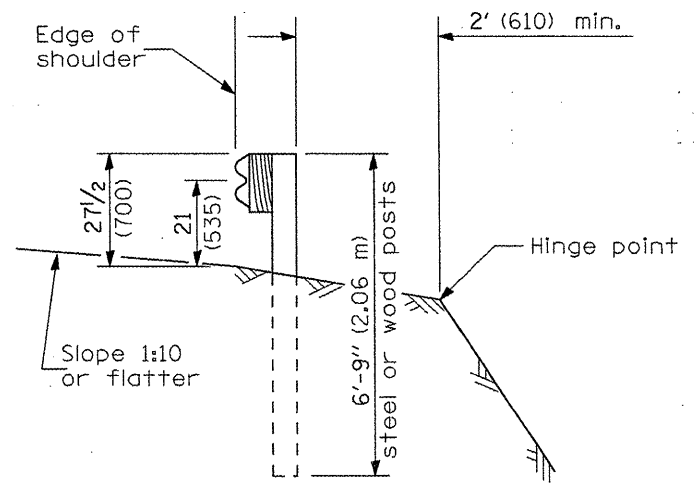
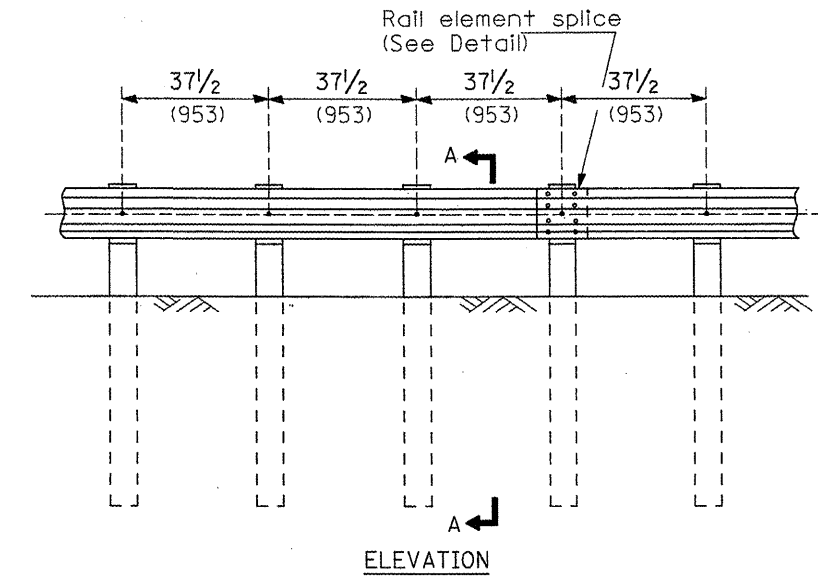


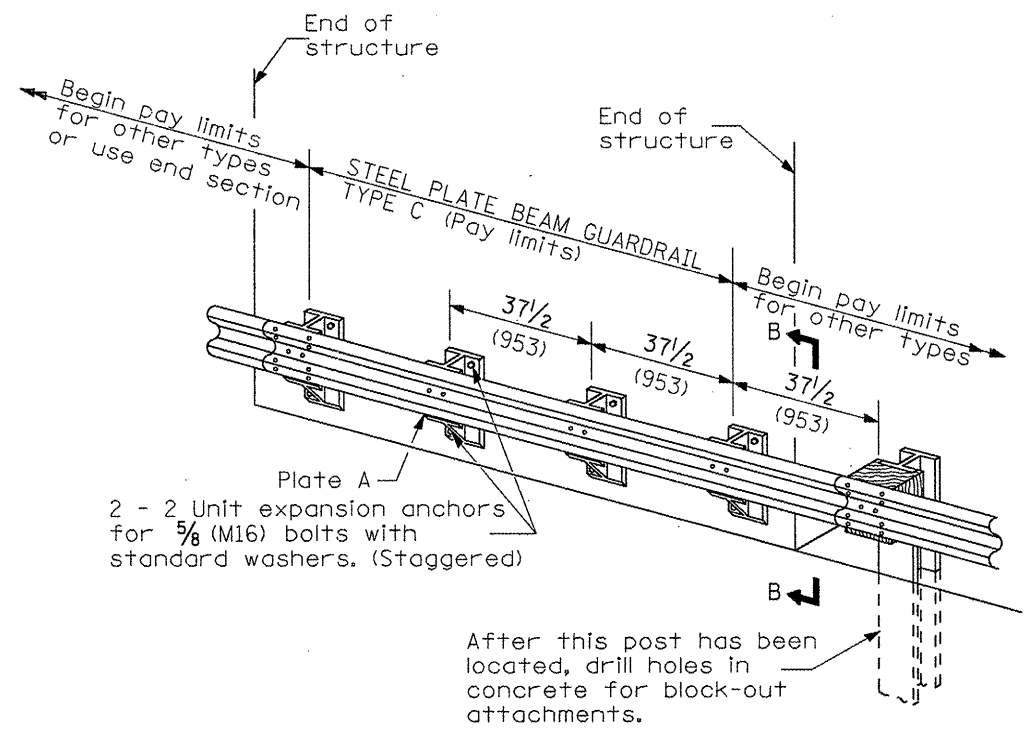
**TYPE A**  
6'-3" (1.905 m) Typical post spacing



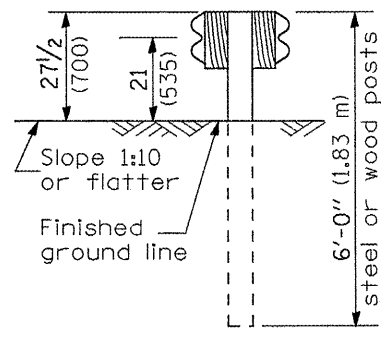
SECTION A-A



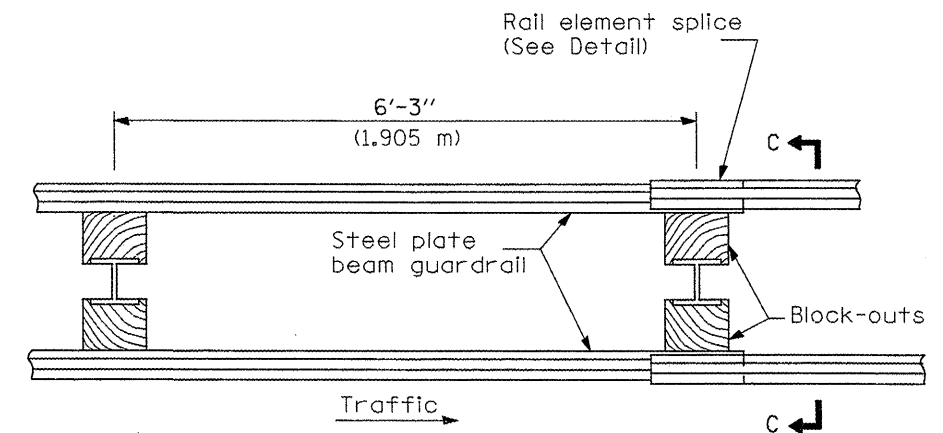
**TYPE B**  
37 1/2 (953) Closed post spacing



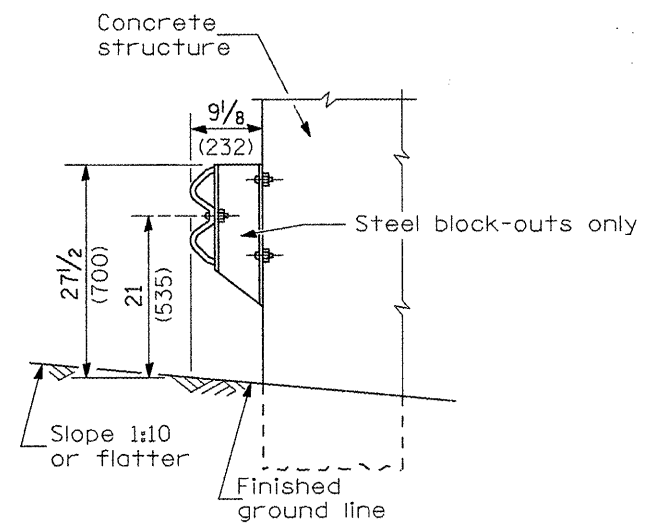
**TYPE C**  
37 1/2 (953) Block-out spacing



SECTION C-C



**TYPE D**  
Double steel plate beam guardrail  
6'-3" (1.905 m) typical post spacing



SECTION B-B

**GENERAL NOTES**

All slope ratios are expressed as units of vertical displacement to units of horizontal displacement (V:H).

All dimensions are in millimeters (inches) unless otherwise shown.

The existing steel posts may be drilled to match the bolt pattern shown herein for the wood block-out, or a new steel post shall be provided.

This detail is applicable to the guardrail system used prior to January 1, 2007. For details on the Midwest Guardrail System, see Standard 630001.

All dimensions are in Inches (millimeters) unless otherwise noted.

03-01-07	NEW DETAIL	RJD			
----------	------------	-----	--	--	--

STATE OF ILLINOIS  
DEPARTMENT OF TRANSPORTATION

GUARDRAIL INSTALLATION DETAIL  
NOT TO SCALE SHEET NO. 1 OF 4 SHEETS

F.A.S. RTE.	SECTION	COUNTY	TOTAL SHEETS	SHEET NO.
698 849	123RS-4, 122, 124RS-5, 2RS-3, 3RS-4	MARSHALL PITKIN	40	25
CONTRACT NO. 68915				
FED. ROAD DIST. NO. [ILLINOIS] FED. AID PROJECT				