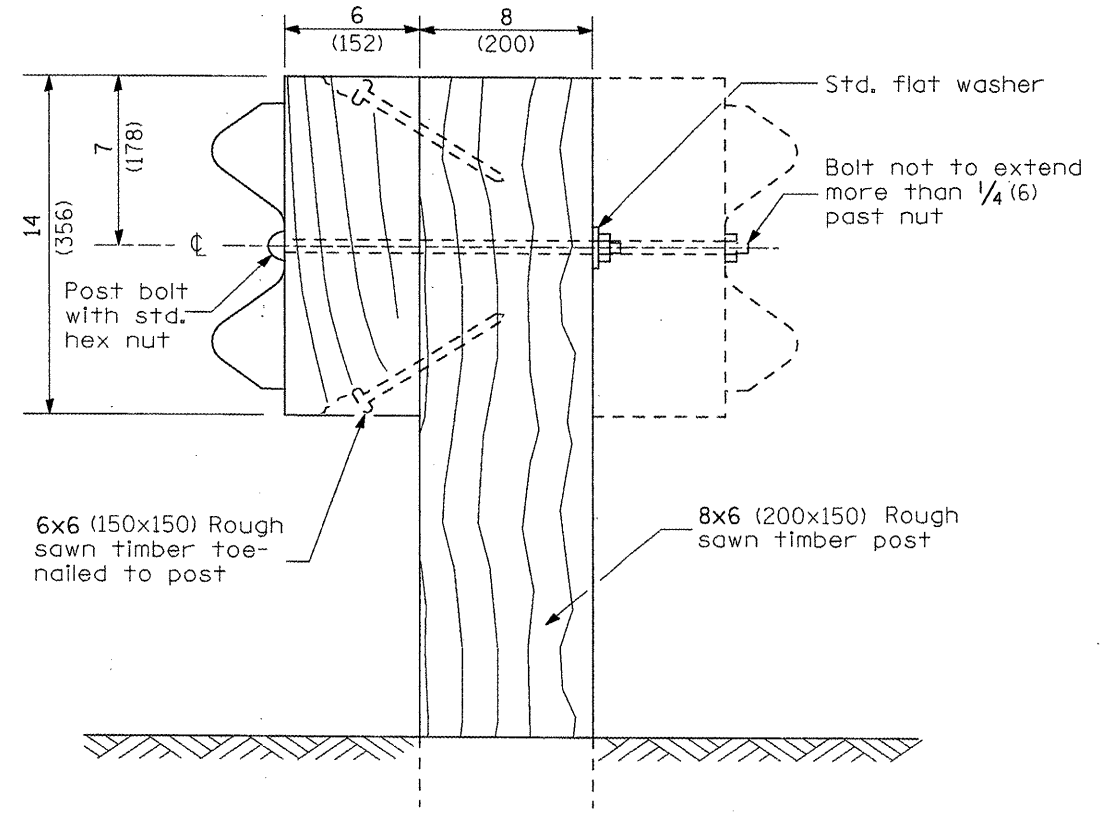
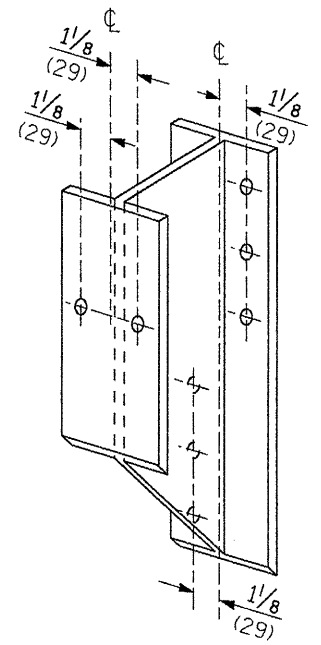


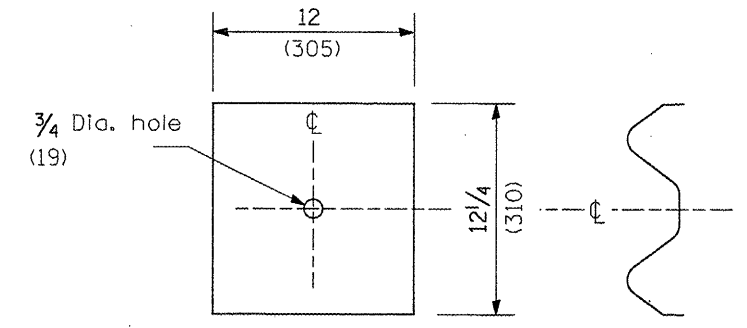
STEEL POST CONSTRUCTION



WOOD POST CONSTRUCTION

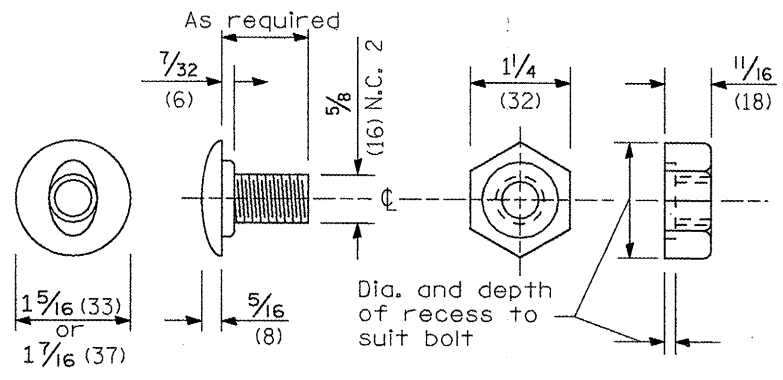


STEEL BLOCK-OUT DETAIL



NOTE
 Plate A shall be placed between rail element and block-out at non-splice mounting points only when steel block-outs are used.

PLATE A



POST OR SPLICE BOLT & NUT

All dimensions are in inches (millimeters) unless otherwise noted.

**STATE OF ILLINOIS
 DEPARTMENT OF TRANSPORTATION**

GUARDRAIL INSTALLATION DETAIL

NOT TO SCALE SHEET NO. 2 OF 4 SHEETS

F.A.S. RTE. 698 649	SECTION 123RS-4, 122, 124RS-5, 2RS-3, 3RS-4	COUNTY MARSHALL PUTNAM	TOTAL SHEETS 40	SHEET NO. 26
FED. ROAD DIST. NO. ILLINOIS FED. AID PROJECT			CONTRACT NO. 68915	