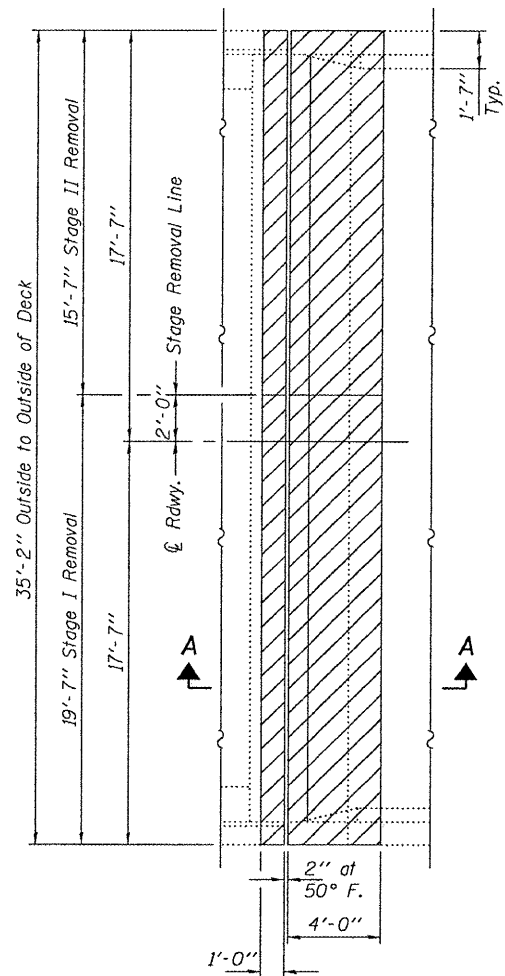
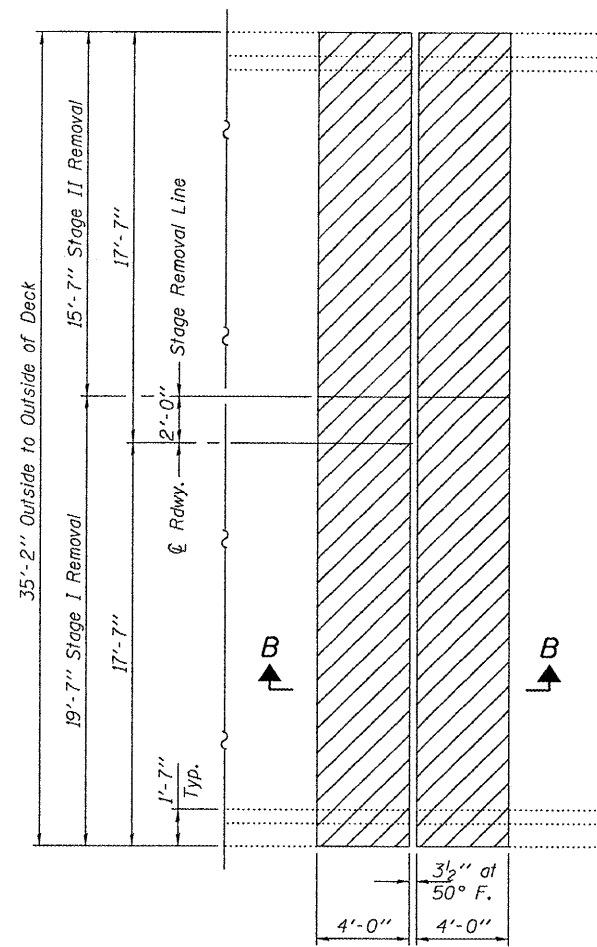


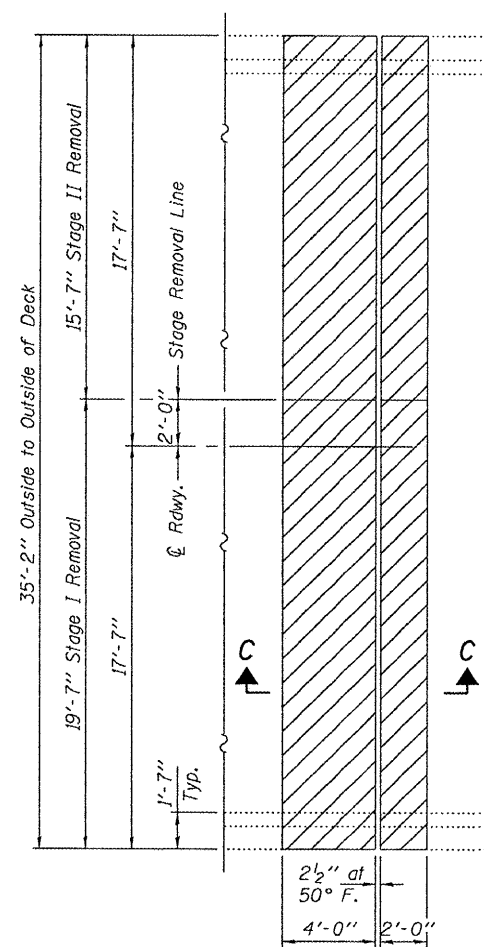
STATE OF ILLINOIS
DEPARTMENT OF TRANSPORTATION



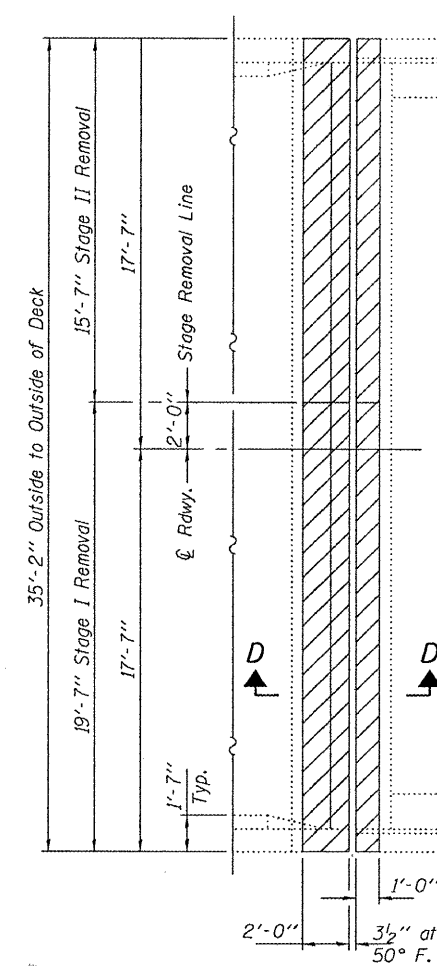
**CONCRETE REMOVAL
AT NORTH ABUTMENT**



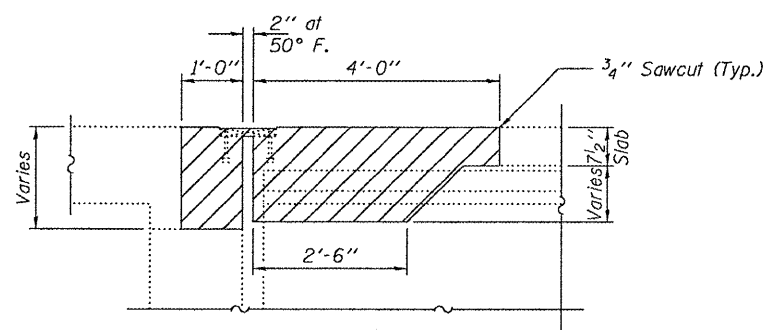
**CONCRETE REMOVAL
AT PIER 3**



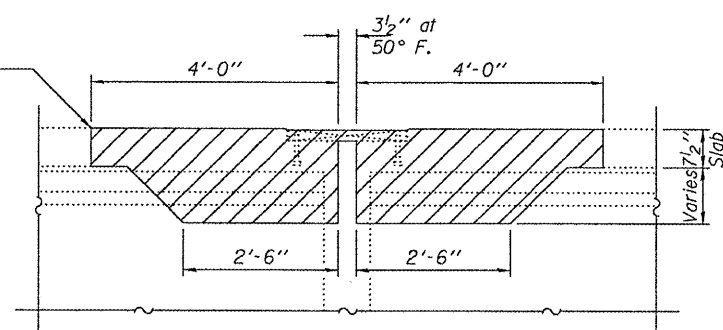
**CONCRETE REMOVAL
AT PIER 6**



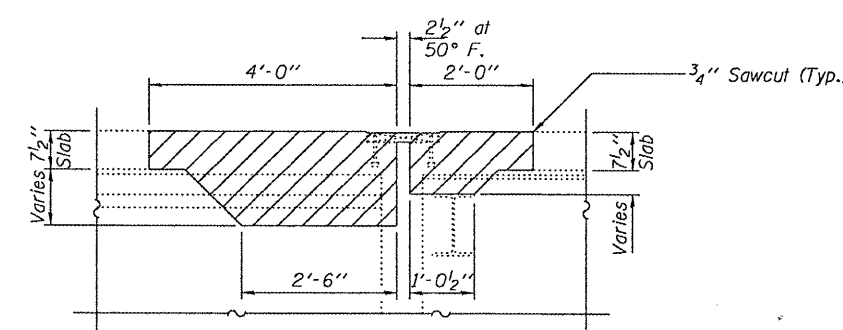
**CONCRETE REMOVAL
AT SOUTH ABUTMENT**



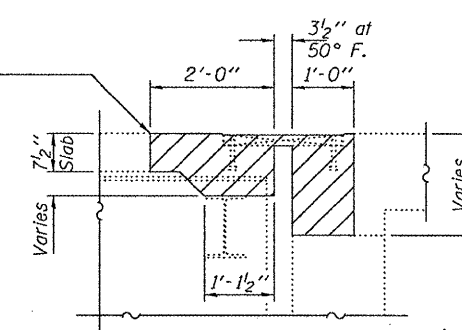
SECTION A-A



SECTION B-B



SECTION C-C



SECTION D-D

**CONCRETE REMOVAL DETAILS
IL ROUTE 116 OVER SPOON RIVER
SN 029-0050**

DESIGNED	GGE
CHECKED	IJL
DRAWN	Kyle M. Steffen
CHECKED	GGE IJL

JANUARY 12, 2010	
EXAMINED	<i>Carl Perry</i> ENGINEER OF STRUCTURAL SERVICES
PASSED	<i>Ralph E. Anderson</i> ENGINEER OF BRIDGES AND STRUCTURES

Notes:
Hatched area indicates Concrete Removal.
Removal of existing joints is included with Concrete Removal.

SHEET NO. 2 8 SHEETS	F.A.P. RTE.	SECTION	COUNTY	TOTAL SHEETS	SHEET NO.
	665	(142-BR)I	FULTON	25	10
CONTRACT NO. 68925					
FED. ROAD DIST. NO. ILLINOIS FED. AID PROJECT					