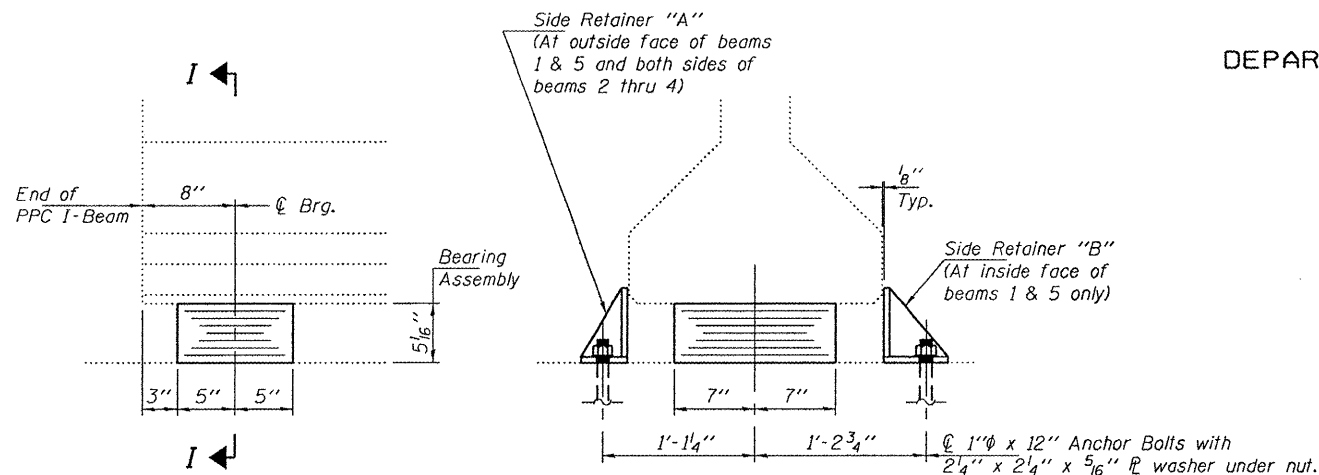


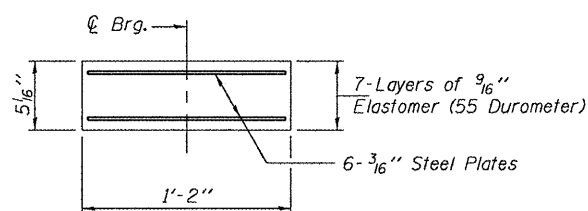
STATE OF ILLINOIS
DEPARTMENT OF TRANSPORTATION



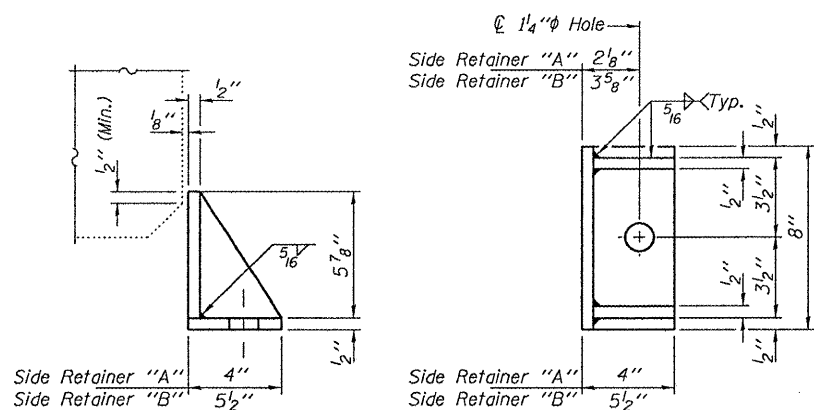
ELEVATION AT PIER 3

SECTION I-I

TYPE I ELASTOMERIC EXP. BRG.



BEARING ASSEMBLY



SIDE RETAINERS "A" & "B" AT PIER 3

Side Retainer "A" (8 Required)
Side Retainer "B" (2 Required)
Equivalent rolled angle with stiffeners
will be allowed in lieu of welded plates.

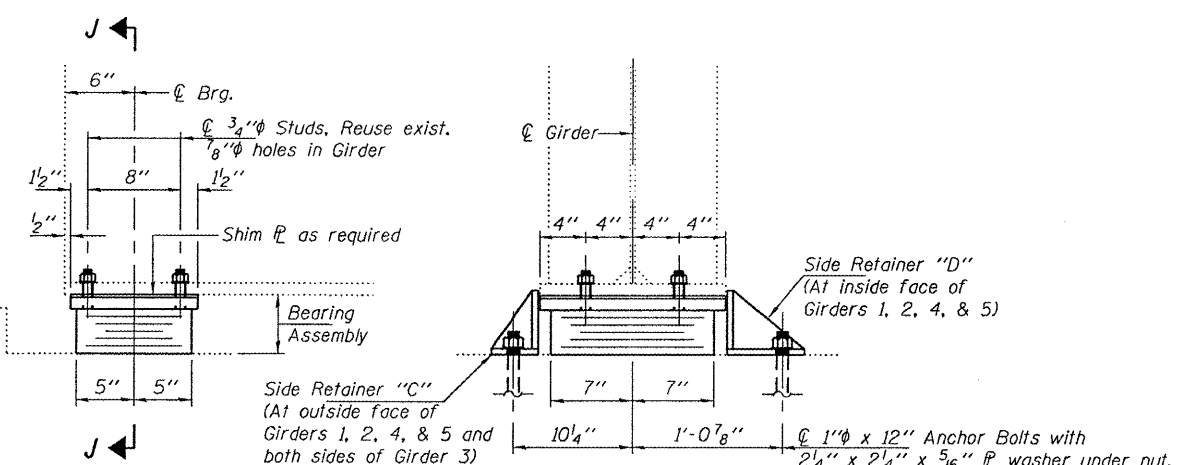
DESIGNED	GGE
CHECKED	IJL
DRAWN	Kyle M. Steffen
CHECKED	GGE IJL

JANUARY 12, 2010
EXAMINED *Carl Prosky*
ENGINEER OF STRUCTURAL SERVICES
PASSED *Ralph E. Anderson*
ENGINEER OF BRIDGES AND STRUCTURES

BEAM REACTIONS

	PIER 3	PIER 6
R _l	(K) 52.4	47.7
R _t	(K) 39.8	42.6
Imp.	(K) 10.1	9.1
R (Total)	(K) 102.3	99.4

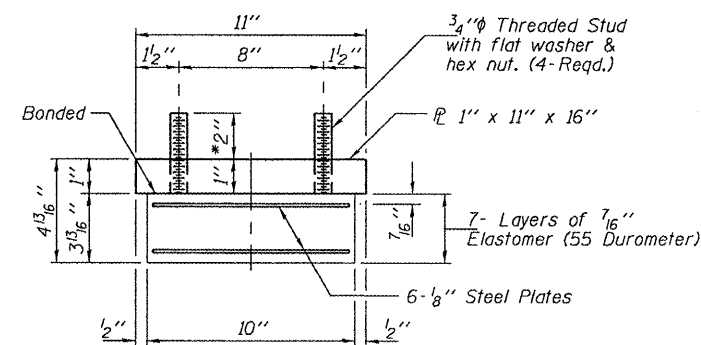
Notes:
Cross Frame removal and reinstallation may be required to facilitate drilling holes. Cost included with Structural Steel Repair.
Prior to ordering any material, the Contractor shall verify in the field all bearing height and shim thickness dimensions. Min. jack capacity = 60 Tons.
Anchor bolts shall be ASTM F1554 all-thread (or an Engineer-approved alternate material) of the grade(s) and diameter(s) specified. ASTM A307 Grade C anchor bolts may be used in lieu of ASTM F1554 Grade 36 (F_y=36ksi). The corresponding specified grade of AASHTO M314 anchor bolts may be used in lieu of ASTM F1554.
Drilled and set anchor bolts shall be installed according to Article 521.06 of the Standard Specifications.
Side retainers & Shim plates shall be included in the cost of Elastomeric Bearing Assembly, Type I.



ELEVATION AT PIER 6

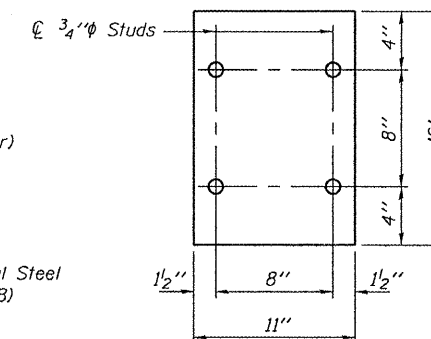
SECTION J-J

TYPE I ELASTOMERIC EXP. BRG.

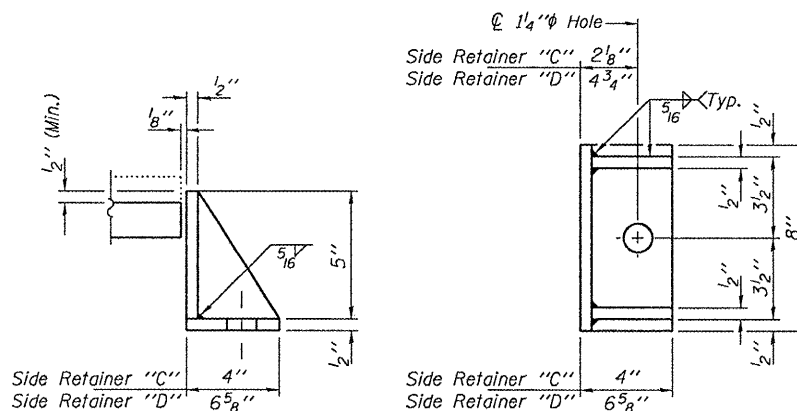


BEARING ASSEMBLY

Note:
Shim plates shall not be placed under Bearing Assembly.



BEARING ASSEMBLY PLAN



SIDE RETAINERS "C" & "D" AT PIER 6

Side Retainer "C" (6 Required)
Side Retainer "D" (4 Required)
Equivalent rolled angle with stiffeners
will be allowed in lieu of welded plates.

BILL OF MATERIAL

Item	Unit	Total
Elastomeric Bearing Assembly, Type I	Each	10
Jack and Remove Existing Bearings	Each	10
Anchor Bolts 1"φ	Each	20

ELASTOMERIC BEARING ASSEMBLY DETAILS
IL ROUTE 116 OVER SPOON RIVER
SN 029-0050

SHEET NO. 7 8 SHEETS	F.A.P. RTE. 665	SECTION (142-BR)I	COUNTY FULTON	TOTAL SHEETS 25	SHEET NO. 15
	CONTRACT NO. 68925				
FED. ROAD DIST. NO. ILLINOIS FED. AID PROJECT					