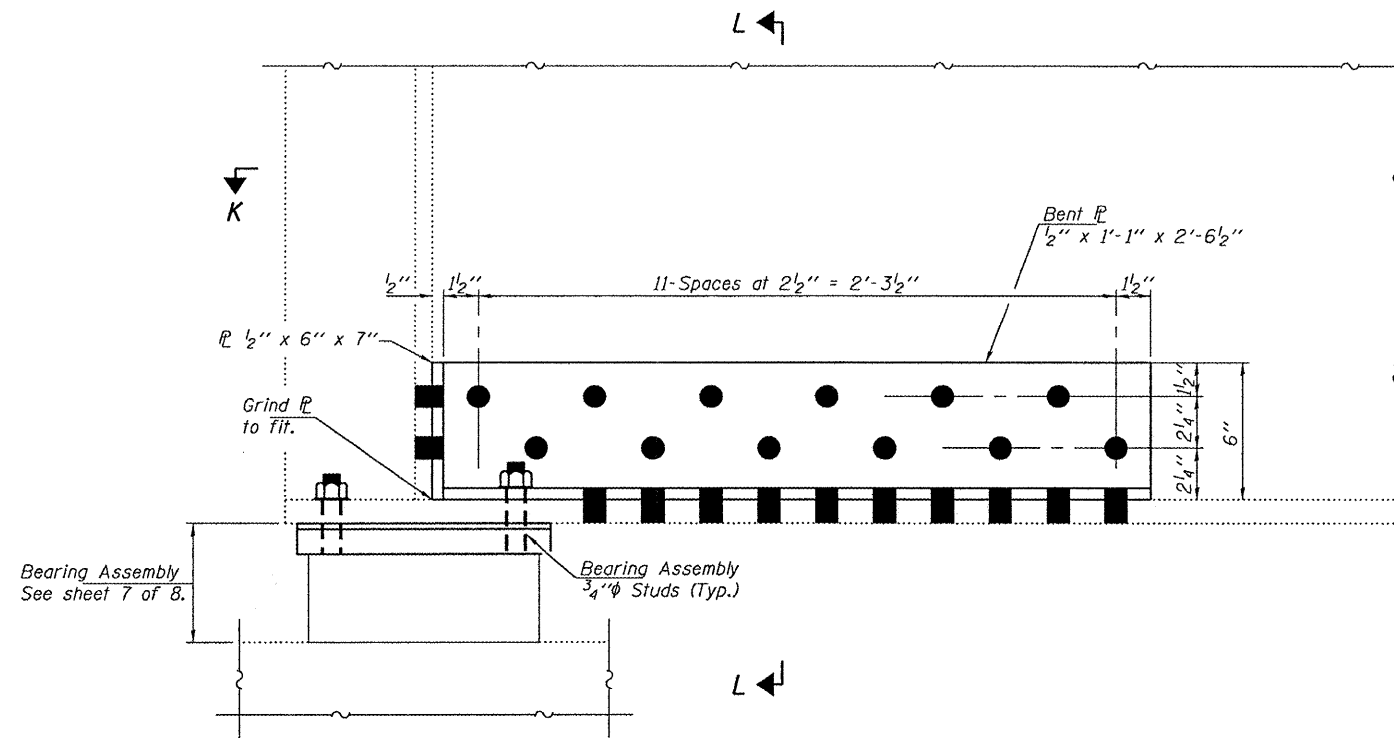
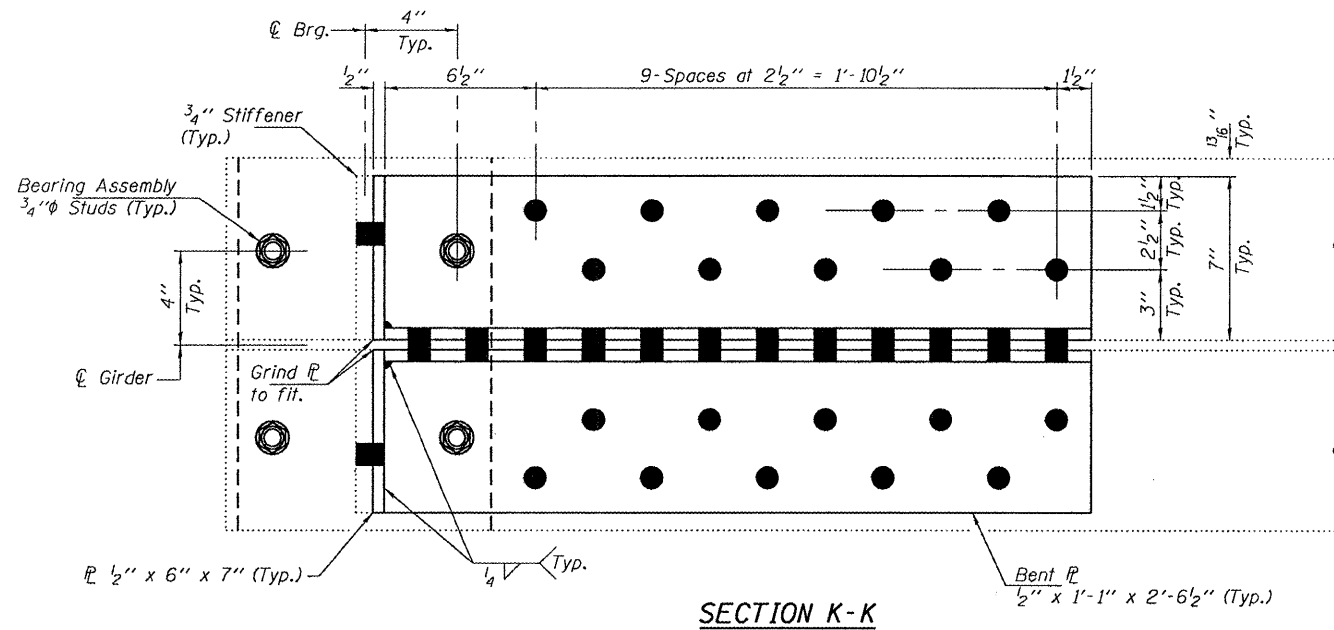
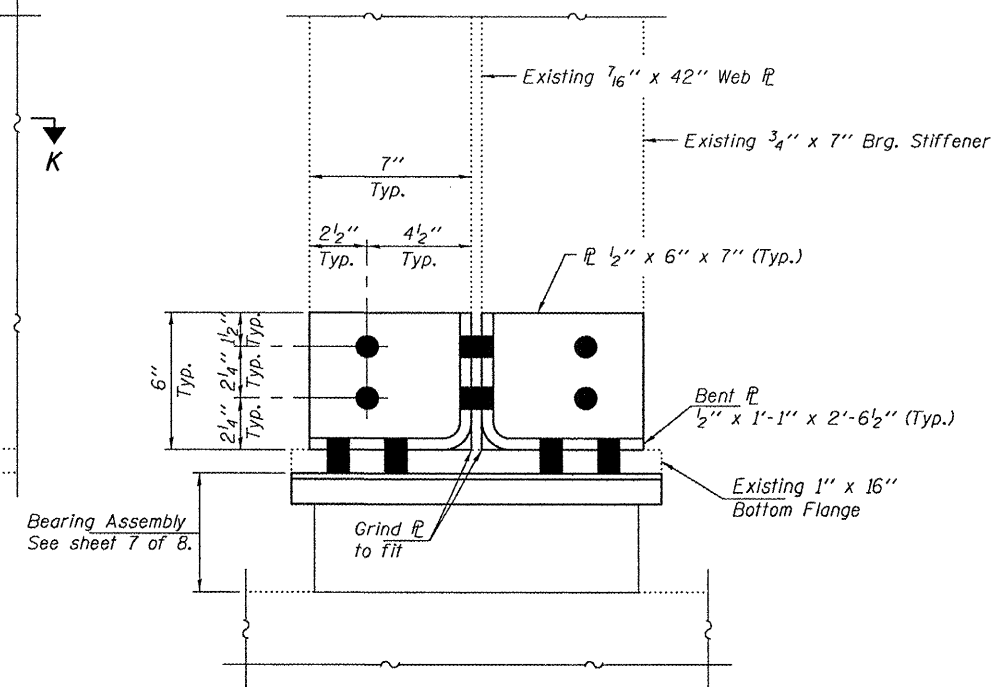


STATE OF ILLINOIS  
DEPARTMENT OF TRANSPORTATION



STEEL BEAM END REPAIRS



SECTION L-L  
Bearing Assembly 3/4" Studs  
not shown for clarity.

STEEL BEAM END REPAIRS  
IL ROUTE 116 OVER SPOON RIVER  
SN 029-0050

|          |                 |
|----------|-----------------|
| DESIGNED | GGE             |
| CHECKED  | IJL             |
| DRAWN    | Kyle M. Steffen |
| CHECKED  | GGE IJL         |

JANUARY 12, 2010  
EXAMINED *A. Carl Hoyer*  
ENGINEER OF STRUCTURAL SERVICES  
PASSED *Ralph E. Anderson*  
ENGINEER OF BRIDGES AND STRUCTURES

|                         |                    |                      |                  |   |                 |
|-------------------------|--------------------|----------------------|------------------|---|-----------------|
| SHEET NO. 8<br>8 SHEETS | F.A.P. RTE.<br>665 | SECTION<br>(142-BR)I | COUNTY<br>FULTON | TOTAL SHEETS<br>25                            | SHEET NO.<br>16 |
|                         | CONTRACT NO. 68925 |                      |                  | FED. ROAD DIST. NO. ILLINOIS FED. AID PROJECT |                 |