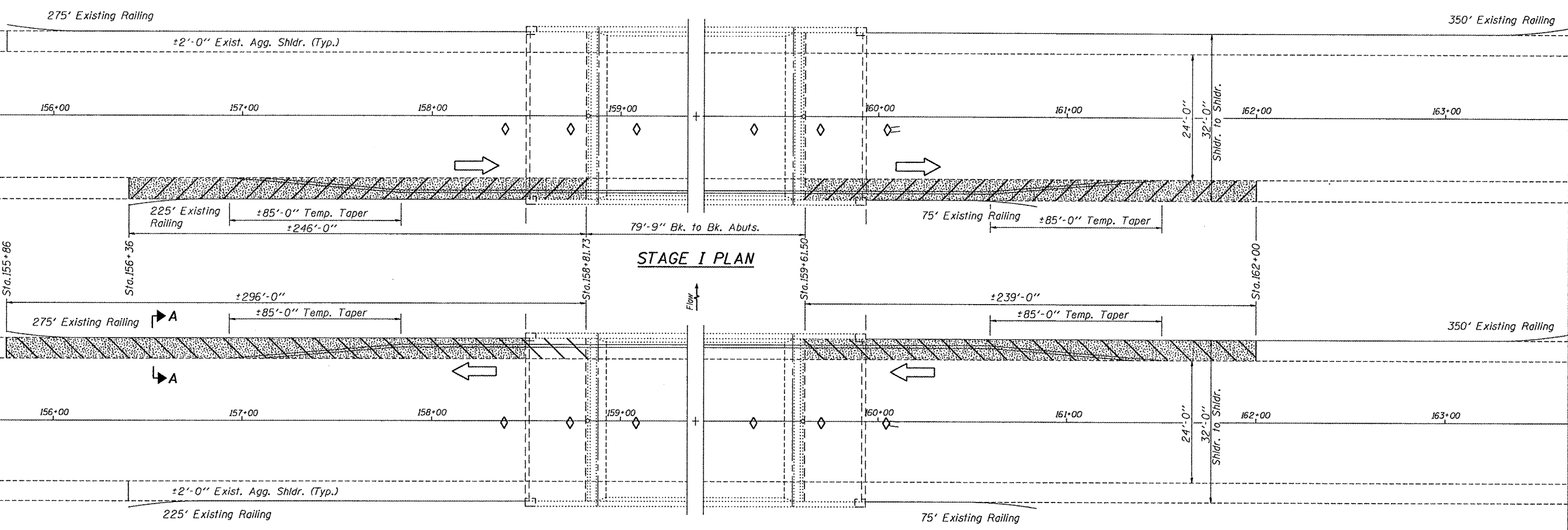
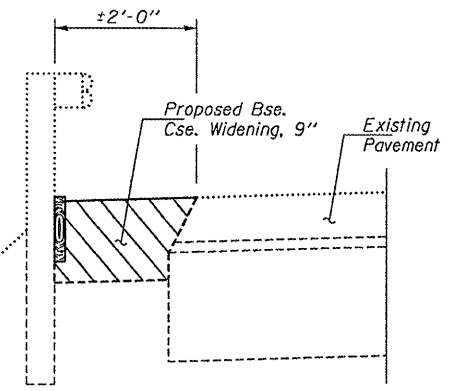


EXISTING CROSS SECTION
 * 2'-0" to 2'-6" Rolled Agg. Shldr.



STAGE I PLAN

STAGE II PLAN



PROPOSED SECTION A-A

- SYMBOLS**
- Shoulder Removal/Replacement
 - Temporary Concrete Barrier
 - Barrier Wall Marker
 - Pavement Marking Tape, Type III, 4"

NOTES
 Shoulder removal/replacement quantities calculated using existing ±2'-0" aggregate shoulder for existing lengths. Proposed shoulder length & width shall require existing material to be removed. Cost paid for as EARTH EXCAVATION (WIDENING).
 Construction staging sequence shall be at the discretion of the Engineer for given field applications.

BILL OF MATERIAL

Item	Unit	Total
Base Course Widening, 9"	Sq. Yd.	227
Erosion Control Curb	Foot	925

FILE NAME =	USER NAME = #USER#	DESIGNED - CEJ	REVISED -
#FILE#		DRAWN - CEJ	REVISED -
	PLOT SCALE = #SCALE#	CHECKED -	REVISED -
	PLOT DATE = #DATE#	DATE - 09/30/2009	REVISED -

STATE OF ILLINOIS
DEPARTMENT OF TRANSPORTATION

BASE COURSE WIDENING DETAIL
 SCALE: SHEET NO. OF SHEETS STA. TO STA.

RTE.	SECTION	COUNTY	TOTAL SHEETS	SHEET NO.
702	(114BR-1)I	WOODFORD	23	11

MISC. BRIDGE REPAIRS CONTRACT NO. 68928
 FED. ROAD DIST. NO. 4 ILLINOIS FED. AID PROJECT

SN. 102-0041 IL.117 ovr
 MILL CRK. S. of US24