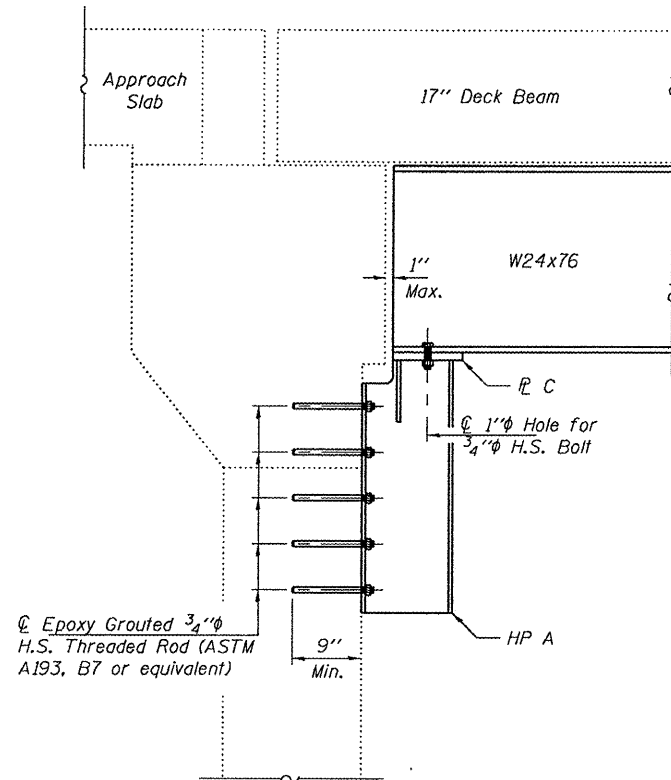
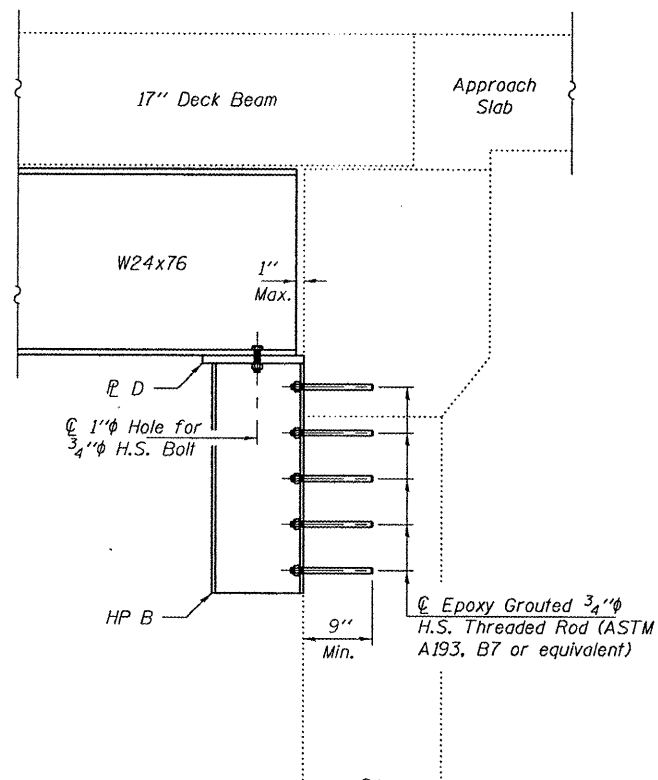


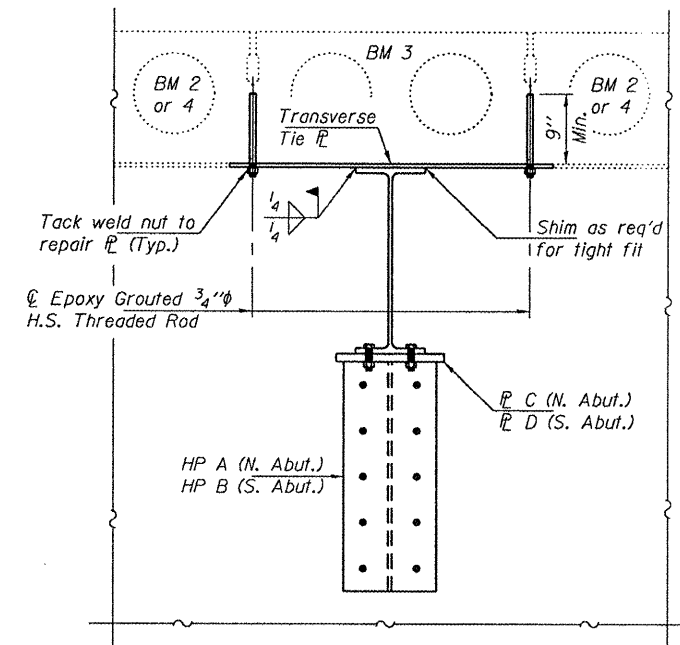
STATE OF ILLINOIS  
DEPARTMENT OF TRANSPORTATION



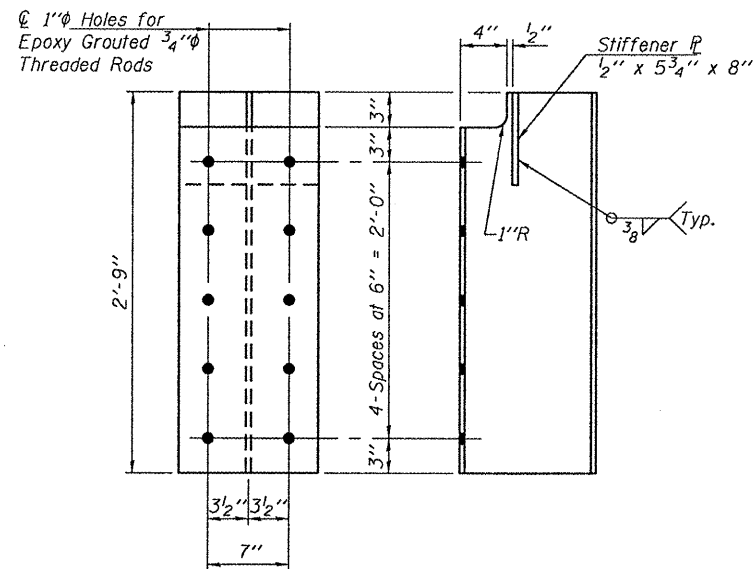
SECTION A-A



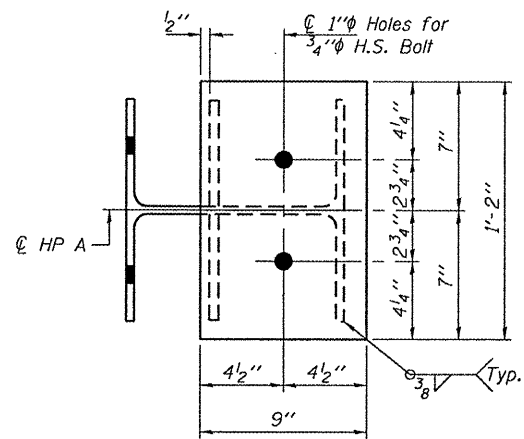
SECTION B-B



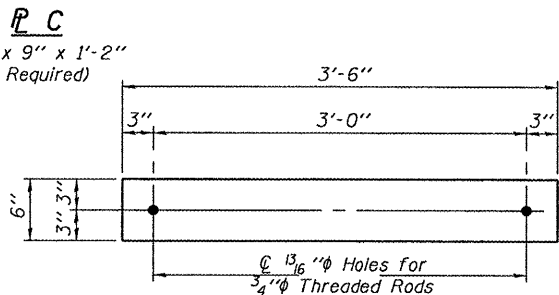
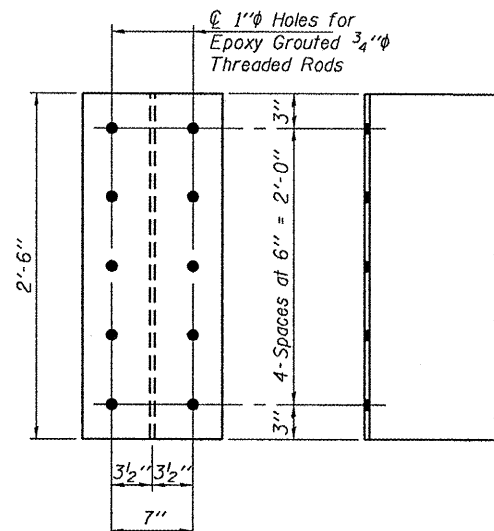
SECTION C-C



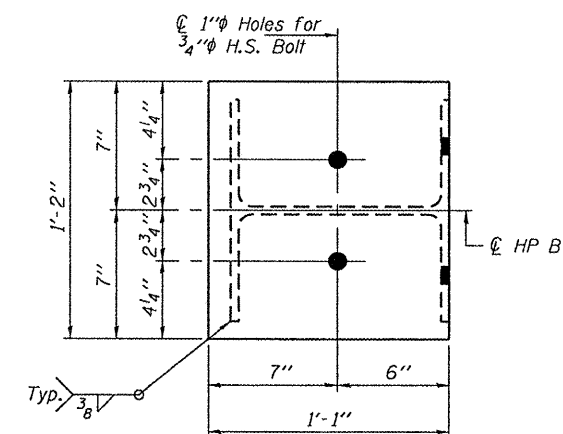
HP A  
HP12x53 x 2'-9"  
(1 Required)



HP B  
HP12x53 x 2'-6"  
(1 Required)



TRANSVERSE TIE  
1 1/2" x 6" x 3'-6"  
(3 Required)



HP D  
HP 1" x 1'-1" x 1'-2"  
(1 Required)

DESIGNED	VHV
CHECKED	DAB
DRAWN	Kyle M. Steffen
CHECKED	VHV DAB

JANUARY 21, 2010  
EXAMINED *Carl Proyer*  
ENGINEER OF STRUCTURAL SERVICES  
PASSED *Ralph E. Anderson*  
ENGINEER OF BRIDGES AND STRUCTURES

REPAIR DETAILS  
IL ROUTE 97 OVER  
HAW CREEK TRIBUTARY  
SN 048-0014

SHEET NO. 2 2 SHEETS	F.A.P. RTE.	SECTION	COUNTY	TOTAL SHEETS	SHEET NO.
	626	(42BI)-1	KNOX	8	8
			CONTRACT NO. 68938		
FED. ROAD DIST. NO.		ILLINOIS	FED. AID PROJECT		