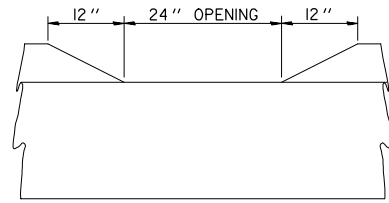


F.A.I. RTE.	SECTION	COUNTY	TOTAL SHEETS	SHEET NO.
57	(10-30)RA-1-2	CHAMPAIGN	119	32
STA.		TO STA.		
FED. ROAD DIST. NO.	ILLINOIS	FED. AID PROJECT		

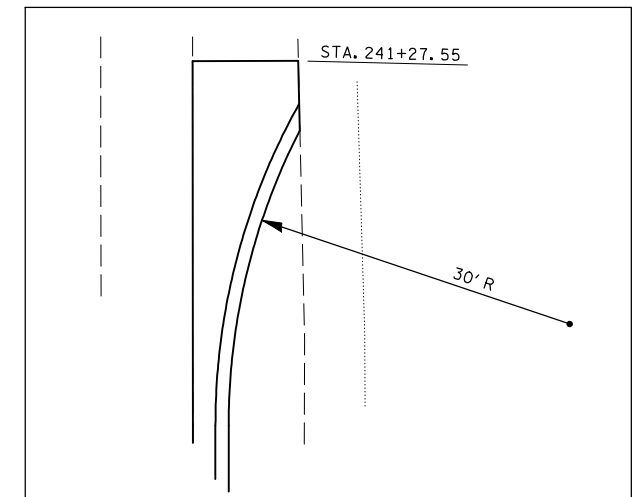
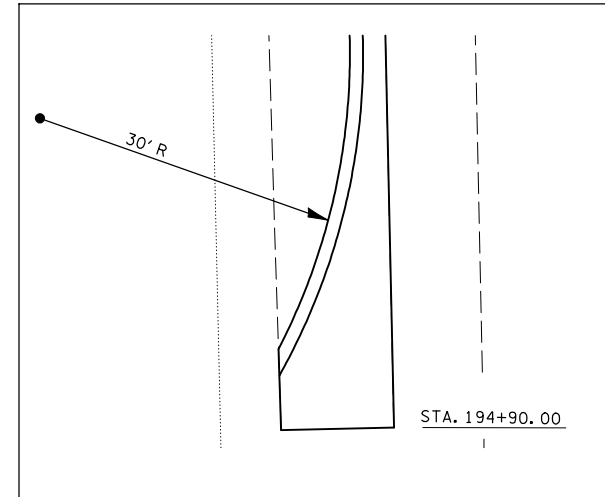
DETAIL OF CURB CUTS FOR CONCRETE CURB AND GUTTER TYPE B-9.12 (TRUCK LOTS)



SECTION SHOWING DRAINAGE OPENINGS @ ± 114' CENTERS

THIS WORK WILL BE PAID FOR AT THE CONTRACT UNIT PRICE PER FOOT FOR COMBINATION CONCRETE CURB & GUTTER TYPE B-9.12, AND NO ADDITIONAL COMPENSATION WILL BE ALLOWED.

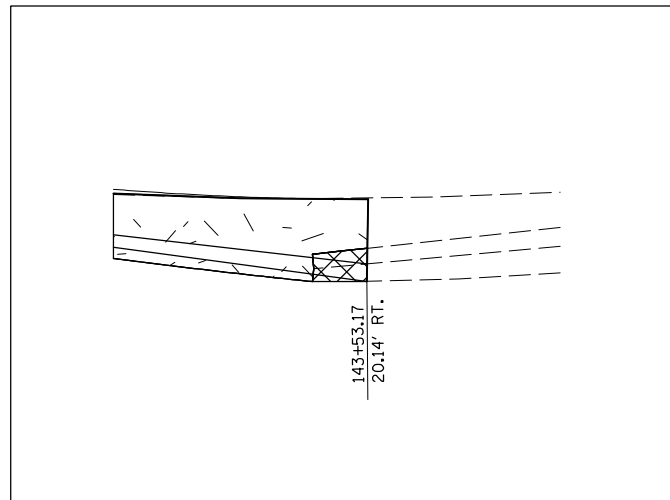
DETAIL OF B-9.12 AT TRUCKLOT ENTRANCE



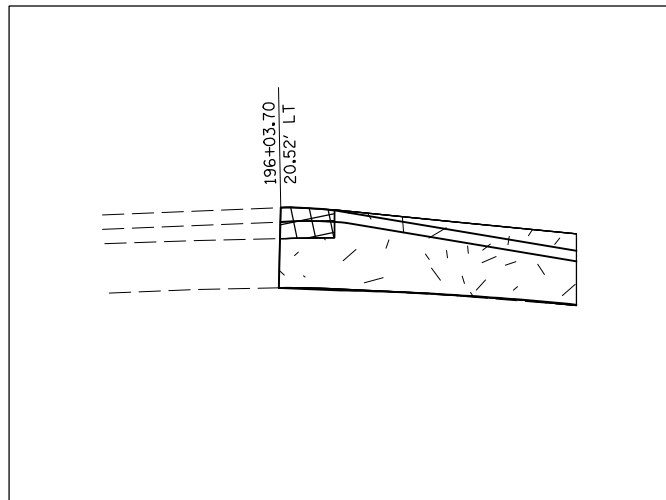
THIS WORK WILL BE PAID FOR AT THE CONTRACT UNIT PRICE PER FOOT FOR COMBINATION CONCRETE CURB & GUTTER TYPE B-9.12, AND NO ADDITIONAL COMPENSATION WILL BE ALLOWED.

DETAIL OF TRANSITION FROM B-9.12 TO B-6.24 CURB & GUTTER

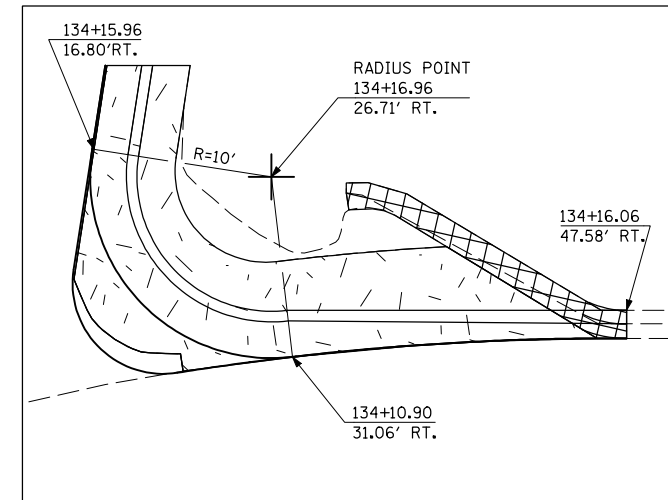
16' RT. SOUTH BOUND STA. 143+53.17



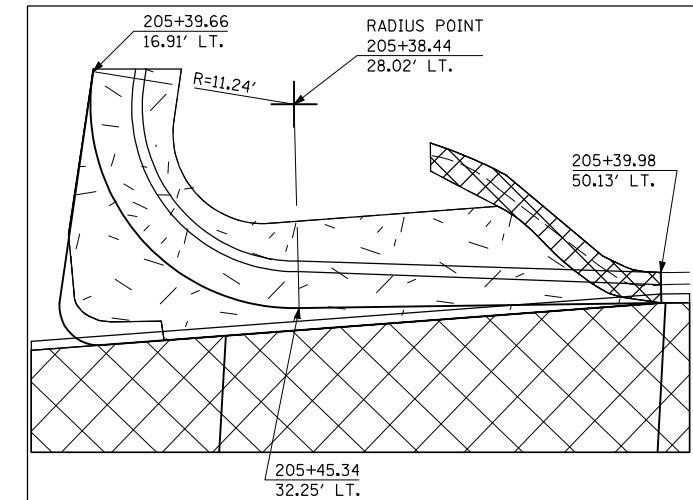
16' LT. NORTH BOUND STA. 196+03.70



16' RT. SOUTH BOUND STA. 134+16±



16' LT. NORTH BOUND STA. 205+40±



- COMB. CONC. C&G REMOVAL
- PAVED SHOULDER REMOVAL

THIS WORK WILL BE PAID FOR AT THE CONTRACT UNIT PRICE PER FOOT FOR COMBINATION CONCRETE CURB & GUTTER TYPE B-6.24, AND NO ADDITIONAL COMPENSATION WILL BE ALLOWED.

REVISIONS	
NAME	DATE

ILLINOIS DEPARTMENT OF TRANSPORTATION
DETAIL OF CONCRETE CURB & GUTTER CUTS & TRANSITION

SCALE: VERT. _____
HORIZ. _____
DATE _____

DRAWN BY _____
CHECKED BY _____