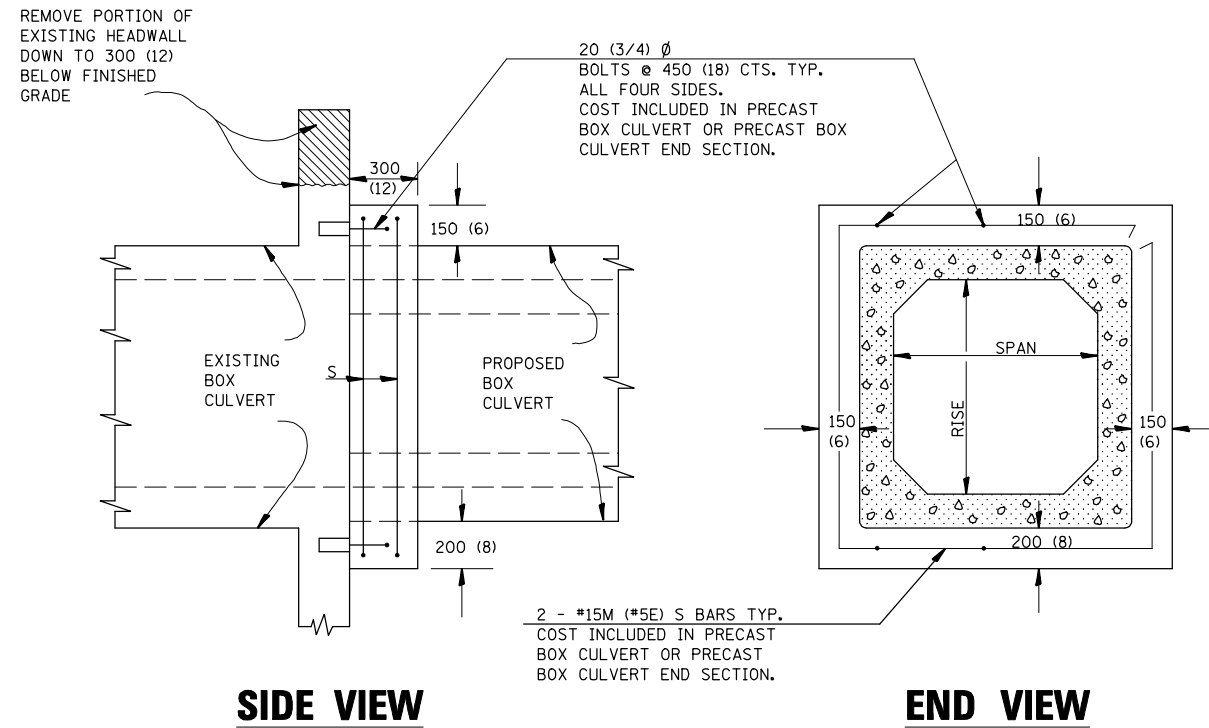


F.A.I. RTE.	SECTION	COUNTY	TOTAL SHEETS	SHEET NO.
57	(10-30)RA-1-2	CHAMPAIGN	-	36
STA.		TO STA.		
FED. ROAD DIST. NO.	ILLINOIS	FED. AID PROJECT		

DETAILS OF CONCRETE COLLAR FOR PRECAST BOX CULVERT



TABULATION

SPAN X RISE	CL. X CONC. m ³ (yd ³) (EST.)	EXPANSION BOLTS (EACH)
600 X 600 (2' X 2')	0.20 (0.26)	8
900 X 600 (3' X 2')	0.23 (0.30)	8
900 X 900 (3' X 3')	0.26 (0.34)	8
1200 X 600 (4' X 2')	0.28 (0.36)	10
1200 X 900 (4' X 3')	0.30 (0.39)	10
1200 X 1200 (4' X 4')	0.33 (0.43)	12
1500 X 600 (5' X 2')	0.31 (0.41)	12
1500 X 900 (5' X 3')	0.34 (0.45)	12
1500 X 1200 (5' X 4')	0.37 (0.49)	14
1800 X 600 (6' X 2')	0.36 (0.47)	14
1800 X 900 (6' X 3')	0.39 (0.51)	14
1800 X 1200 (6' X 4')	0.41 (0.54)	16

THIS WORK SHALL BE IN ACCORDANCE WITH THE APPLICABLE PORTIONS OF SECTIONS 503 AND 540 OF THE STANDARD SPECIFICATIONS, EXCEPT THAT WHEN PRECAST END SECTIONS ARE USED, THE CONCRETE COLLAR, EXPANSION BOLTS, AND REINFORCEMENT BARS SHOWN ON THIS DETAIL SHALL BE INCLUDED IN THE PAY ITEM FOR BOX CULVERT END SECTIONS.

WHEN CAST-IN-PLACE END SECTIONS ARE USED, THE VARIOUS ITEMS FOR CONCRETE BOX CULVERTS, REINFORCEMENT BARS, AND EXPANSION BOLTS WILL BE COMPUTED AND INCLUDED IN THE PLAN QUANTITIES FOR THESE PAY ITEMS.

ALL DIMENSIONS ARE IN MILLIMETERS (INCHES) UNLESS OTHERWISE SHOWN.

DESIGNED	D.L.P.	5/91	REVISIONS	
CHECKED			NAME	DATE
CADD NO.	J-119		D.L.P.	11/96

REVISIONS	
NAME	DATE

ILLINOIS DEPARTMENT OF TRANSPORTATION

DETAIL OF CONCRETE COLLAR

SCALE: VERT.
 HORIZ.
DATE

DRAWN BY
CHECKED BY