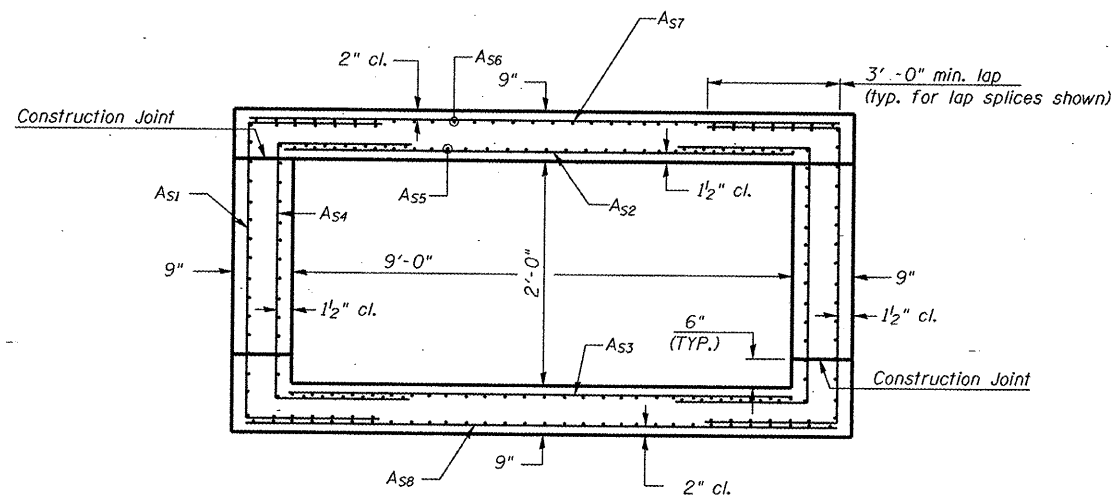
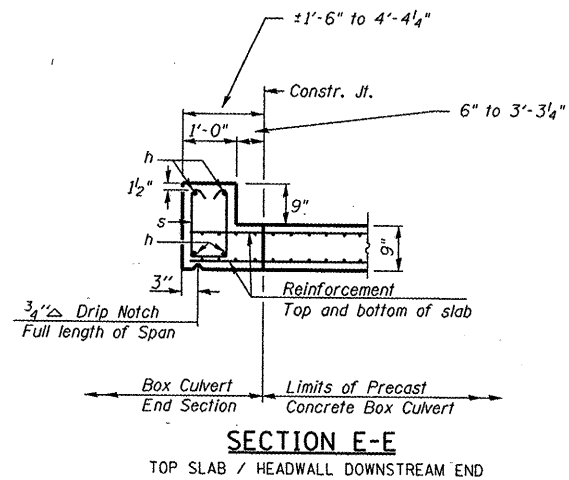
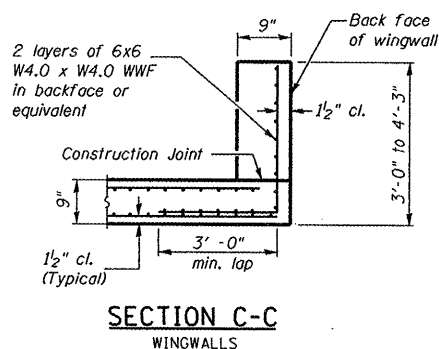
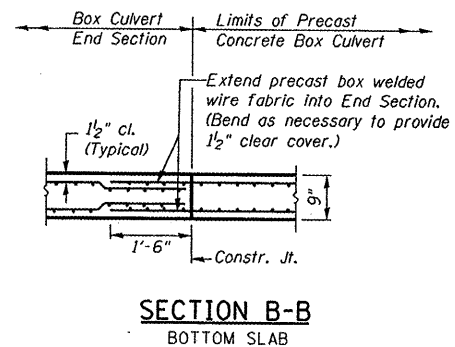
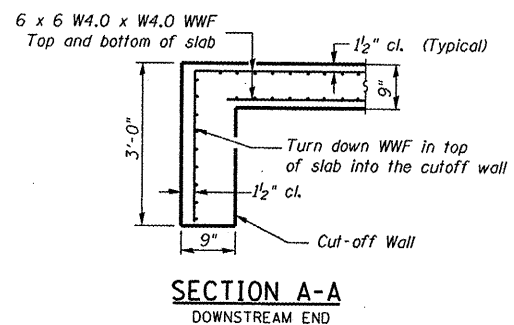
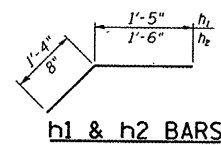
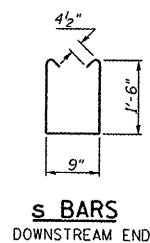


SECTION D-D
LONG WING
(Showing reinforcement)



CAST-IN-PLACE SECTION OF BOX CULVERT TO BE BUILT IN FIELD

NOTE:
Area of reinforcement for the cast-in-place section of box culvert shall be as required for the precast box sections. Spacing and laps of WWF shall be in accordance with AASHTO M 273 except as shown in Cast-In-Place Section of Box Culvert To Be Built In Field. If the Contractor elects to use reinforcement bars instead of WWF for cast-in-place section of box culvert, bars may consist of #3 thru #6 bars and the spacing shall not exceed the lesser of the wall thickness or 8".



BILL OF MATERIAL
For Information Only
(One End Section)

Bar	No.	Size	Length	Shape
h	4	#6	11'-8"	—
h ₁	8	#4	2'-9"	—
h ₂	8	#4	2'-2"	—
s ₁	11	#4	4'-6"	□
v	18	#5	4'-3"	—
Item		Unit	Total	
Class SI Concrete		Cu. Yd.	7.1	
Reinforcement Bars		Pound	210.0	
Welded Wire Fabric		Sq. Ft.	420.0	

FILE NAME =	USER NAME = \$USER\$	DESIGNED - <i>MLB</i>	REVISED -
\$FILE\$		DRAWN - <i>MLB</i>	REVISED -
	PLOT SCALE = \$SCALE\$	CHECKED -	REVISED -
	PLOT DATE = \$DATE\$	DATE - 10/27/09	REVISED -

STATE OF ILLINOIS
DEPARTMENT OF TRANSPORTATION

DOWNSTREAM CAST-IN-PLACE END SECTION DETAIL
STATION 2+48.30, SN 021-8055

F.A.P. RTE.	SECTION	COUNTY	TOTAL SHEETS	SHEET NO.
749	120RS-3		55	32
CONTRACT NO. 70234				

*DOUGLAS & MOULTRIE

SCALE: SHEET NO. OF SHEETS STA. TO STA. ILLINOIS FED. AID PROJECT