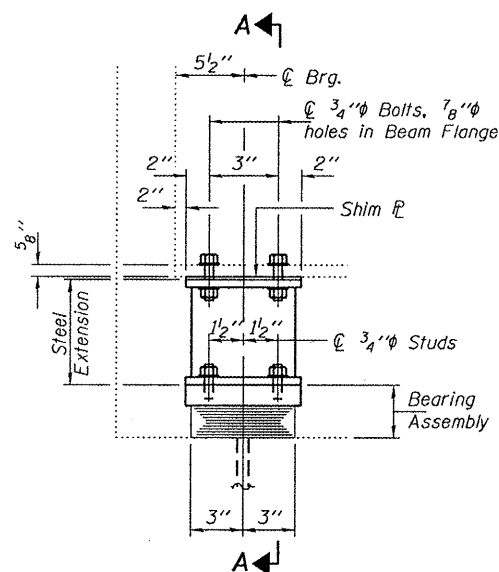
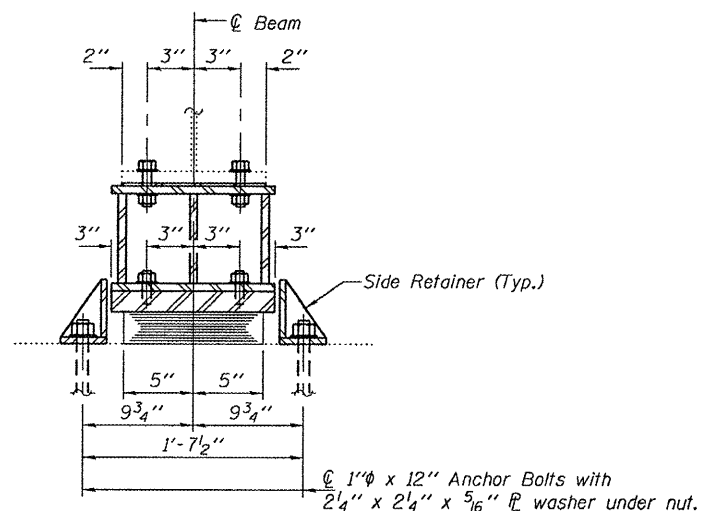


STATE OF ILLINOIS  
DEPARTMENT OF TRANSPORTATION



ELEVATION AT ABUTMENT

TYPE I ELASTOMERIC EXP. BRG.

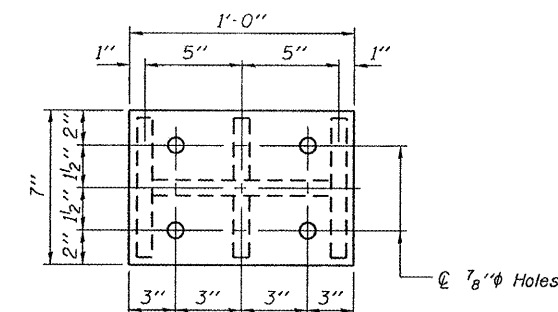


SECTION A-A

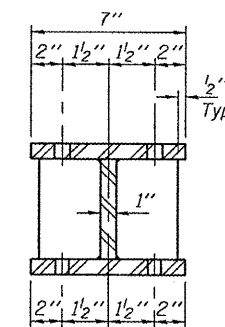
BEAM REACTIONS

R <sub>ℓ</sub>	(K)	14.2
R <sub>⊥</sub>	(K)	30.6
Imp.	(K)	9.2
R (Total)	(K)	54.0

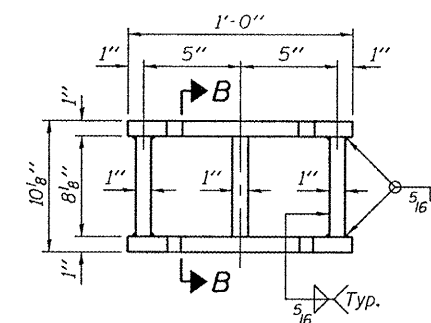
Notes:  
Diaphragm removal and reinstallation may be required to facilitate drilling holes. Cost included with Furnishing and Erecting Structural Steel.  
New steel extensions, shim plates and connection bolts are included with Furnishing and Erecting Structural Steel.  
Prior to ordering any material, the Contractor shall verify in the field all bearing height and shim thickness dimensions. Min. jack capacity = 30 Tons.  
Anchor bolts shall be ASTM F1554 all-thread (or an Engineer-approved alternate material) of the grade(s) and diameter(s) specified. ASTM A307 Grade C anchor bolts may be used in lieu of ASTM F1554 Grade 36 (Fy=36ksi). The corresponding specified grade of AASHTO M314 anchor bolts may be used in lieu of ASTM F1554.  
Drilled and set anchor bolts shall be installed according to Article 521.06 of the Standard Specifications.  
Side retainers shall be included in the cost of Elastomeric Bearing Assembly, Type I.



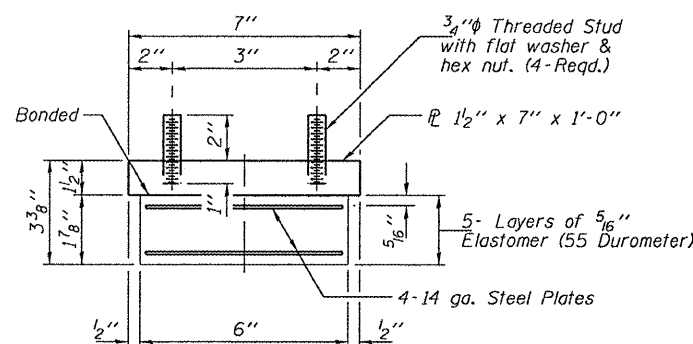
PLAN TOP AND BOTTOM PLATE



SECTION B-B

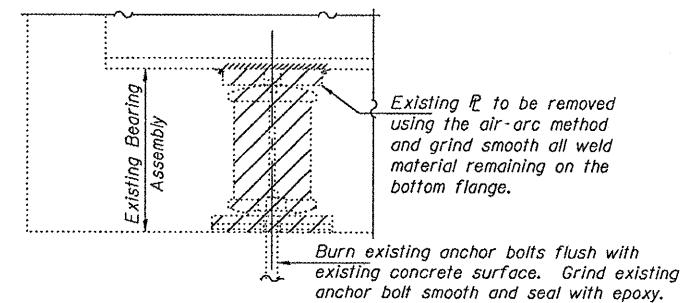


STEEL EXTENSION DETAIL



BEARING ASSEMBLY

Note:  
Shim plates shall not be placed under Bearing Assembly.

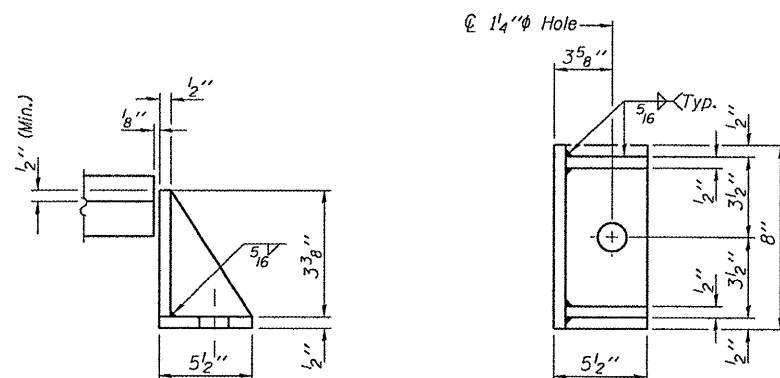


EXISTING BEARING REMOVAL DETAIL

Cost included with Jack and Remove Existing Bearings.

BILL OF MATERIAL

Item	Unit	Total
Elastomeric Bearing Assembly, Type I	Each	28
Jack and Remove Existing Bearings	Each	28
Furnishing and Erecting Structural Steel	Pound	3150
Anchor Bolts 1"φ	Each	56



SIDE RETAINER

Equivalent rolled angle with stiffeners will be allowed in lieu of welded plates.

DESIGNED	ATH
CHECKED	GGE
DRAWN	Kyle M. Steffen
CHECKED	ATH GGE

JANUARY 15, 2010  
EXAMINED *Carl Proyer*  
ENGINEER OF STRUCTURAL SERVICES  
PASSED *Ralph E. Anderson*  
ENGINEER OF BRIDGES AND STRUCTURES

TYI/REPS 12-03-2008

SHEET NO. 2 3 SHEETS	F.A.I. RTE.	SECTION	COUNTY	TOTAL SHEETS	SHEET NO.
	57	(21-28,21-10-29,10-30)RS-1	CHAMPAIGN	115	85B
			CONTRACT NO. 70251		
FED. ROAD DIST. NO.		ILLINOIS FED. AID PROJECT			

ELASTOMERIC BEARING  
ASSEMBLY DETAILS  
I-57 OVER US-45  
SN 010-0198 & 0199

85B