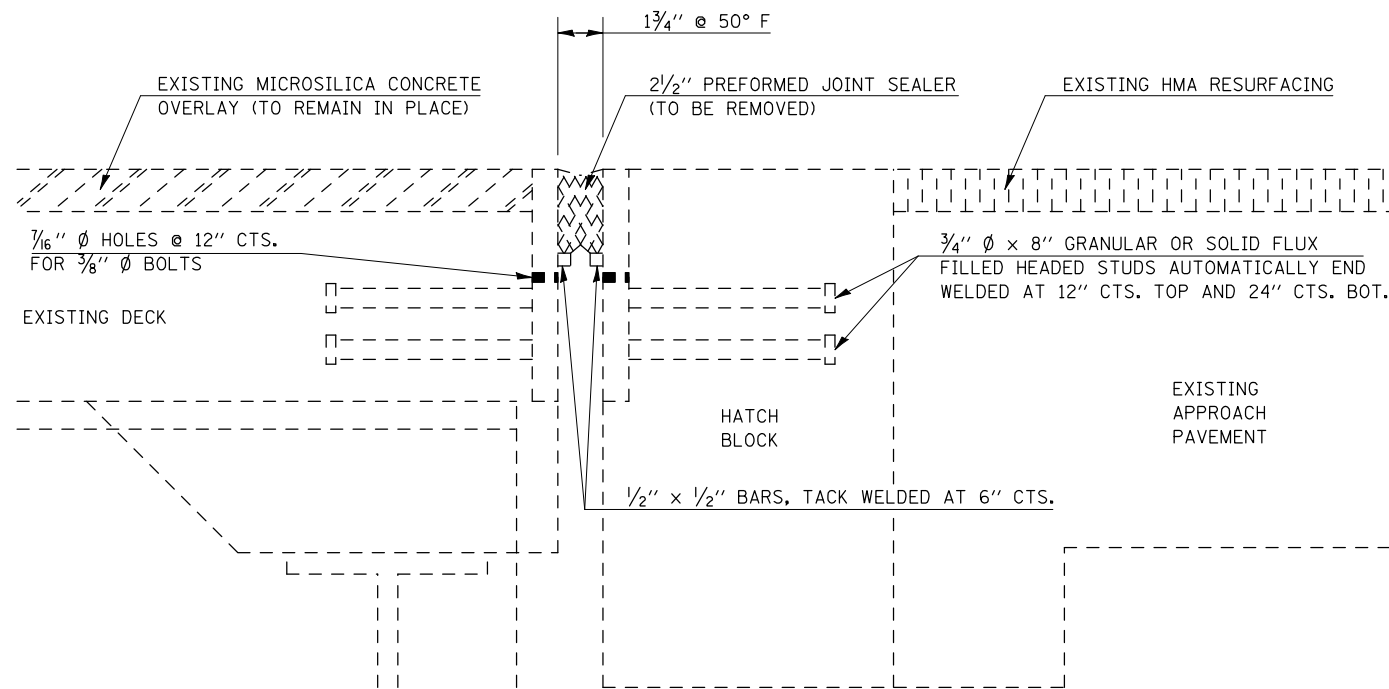
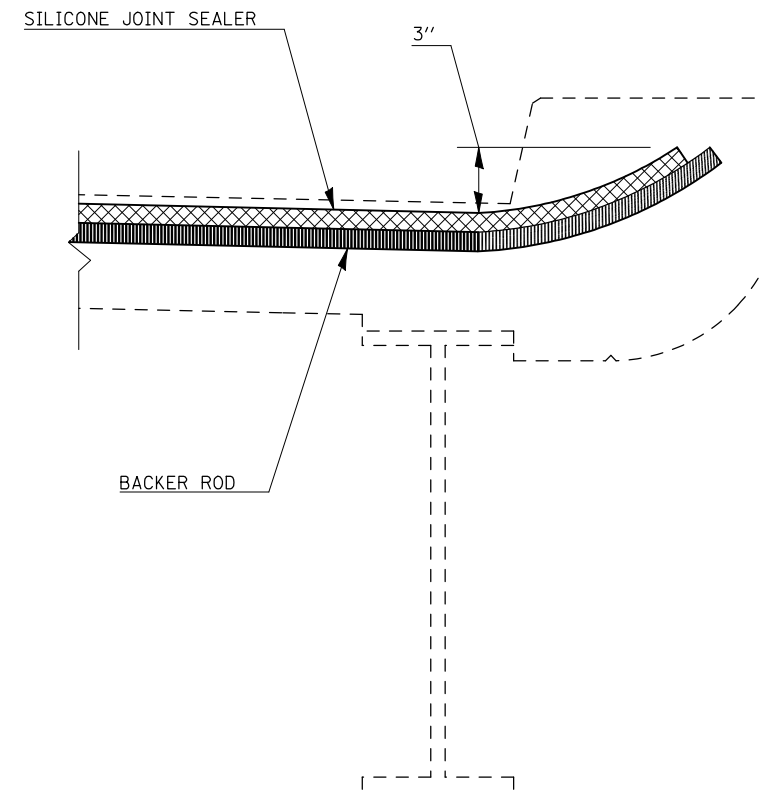


JOINT REPAIR DETAILS

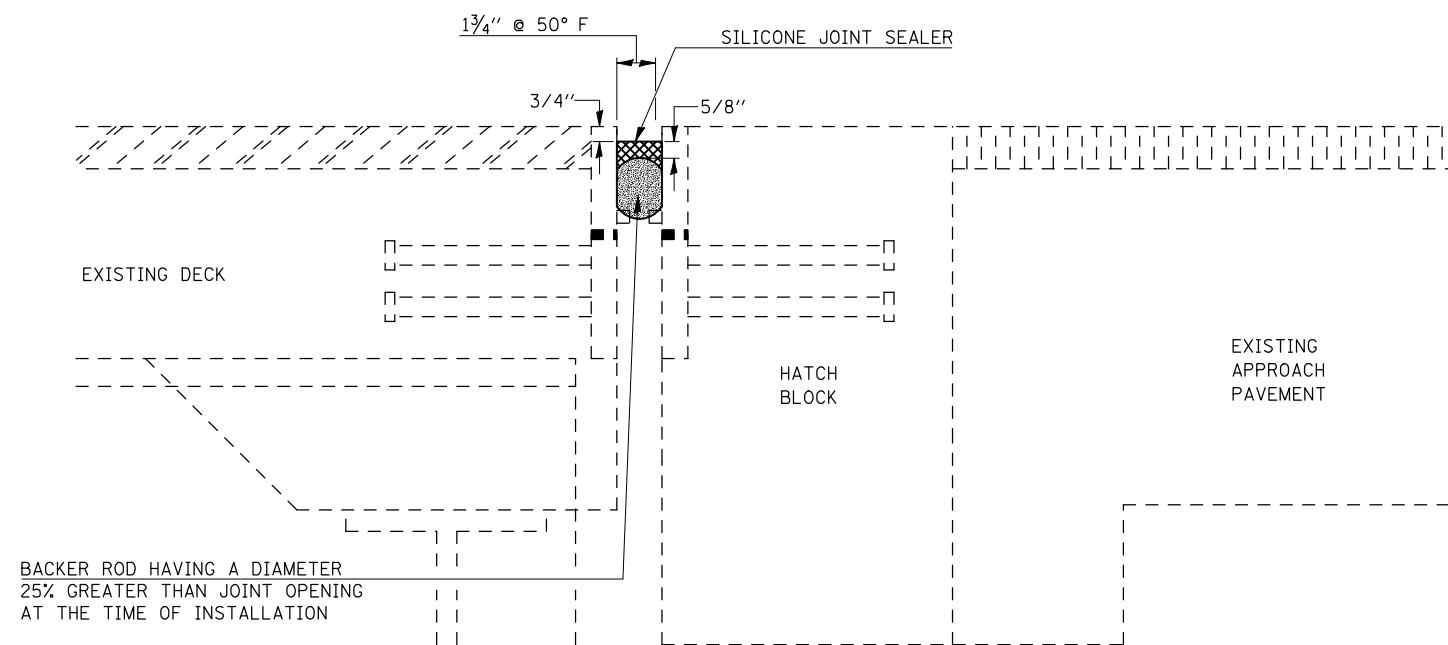
S.N. 010-0198 & 010-0199



SECTION AT EXISTING JOINT



SECTION AT CURB



SECTION AT PROPOSED JOINT

NOTE:

THE EXISTING JOINT MATERIAL SHALL BE REMOVED AND STEEL ARMORING SHALL BE CLEANED PRIOR TO INSTALLING THE SILICONE JOINT SEALER. COST TO BE INCLUDED WITH SILICONE JOINT SEALER.

BILL OF MATERIALS

ITEM	UNIT	TOTAL
SILICONE JOINT SEALER	FOOT	175.0

* CHAMPAIGN & DOUGLAS

FILE NAME =	USER NAME = shererjm	DESIGNED - GMS	REVISED -	STATE OF ILLINOIS DEPARTMENT OF TRANSPORTATION	JOINT REPAIR DETAILS S.N. 010-0198 & 010-0199	F.A.I. RTE. =	SECTION	COUNTY	TOTAL SHEETS	SHEET NO.	
		DRAWN - GMS	REVISED -			57	(21-28,21-10-29,10-30)RS-1	*	115	85	
		CHECKED -	REVISED -			CONTRACT NO. 70251					
		DATE -	REVISED -			ILLINOIS FED. AID PROJECT					
PLOT SCALE = 40.0001' / IN.		PLOT DATE = 12/9/2009		SCALE:	SHEET NO. 2 OF 5 SHEETS	STA.	TO STA.				