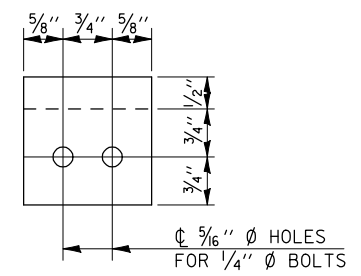
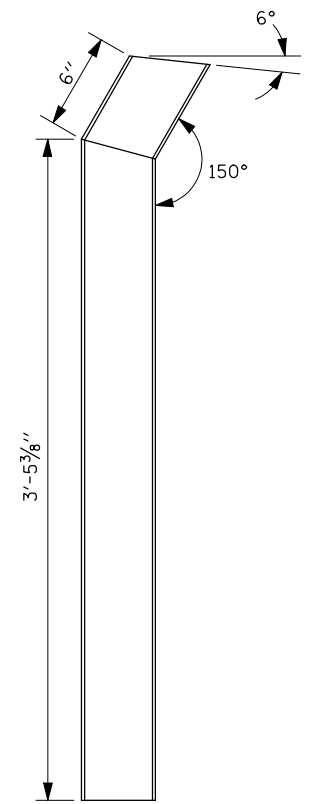
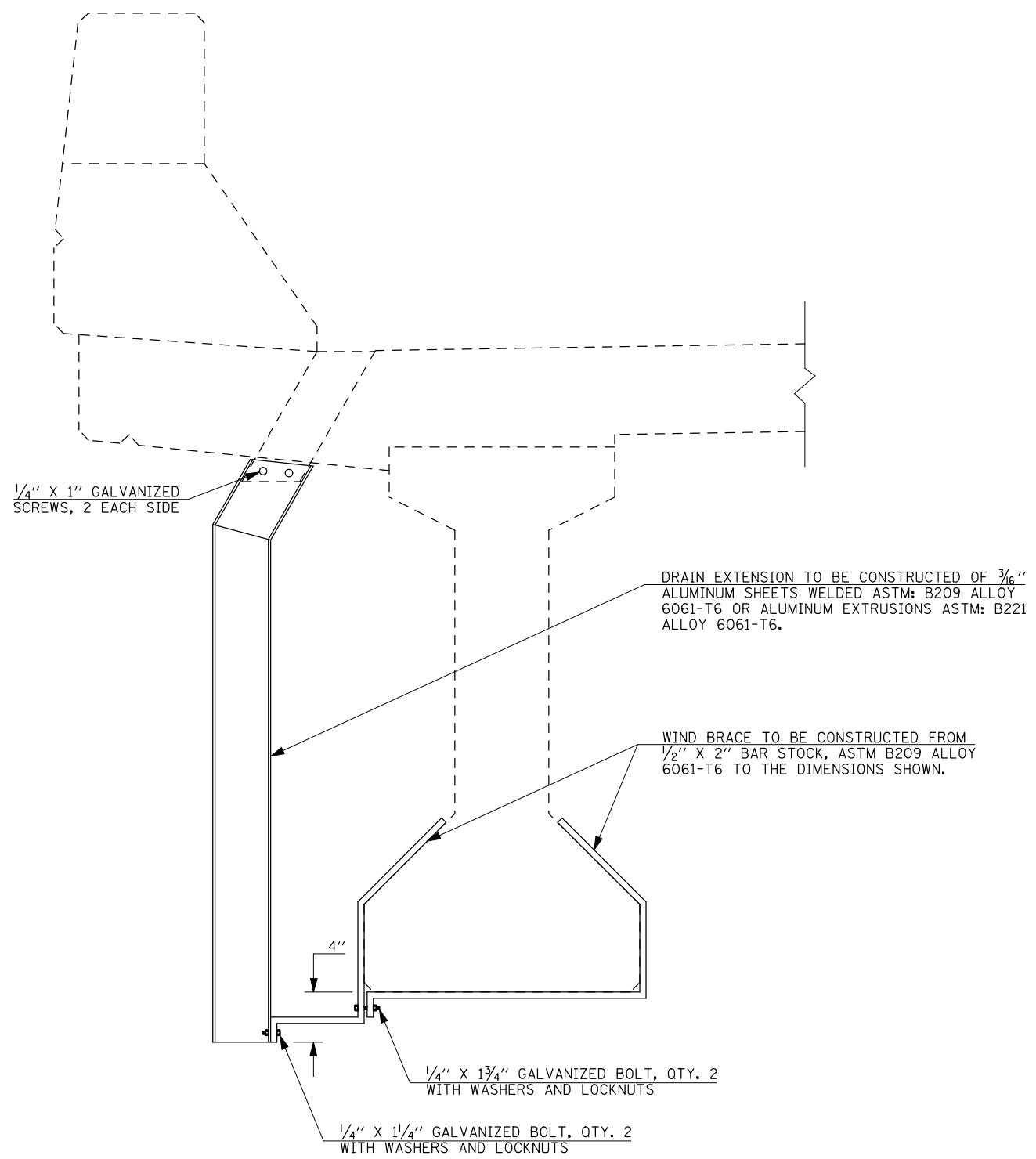
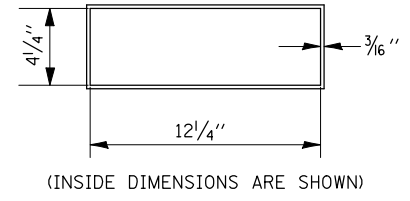
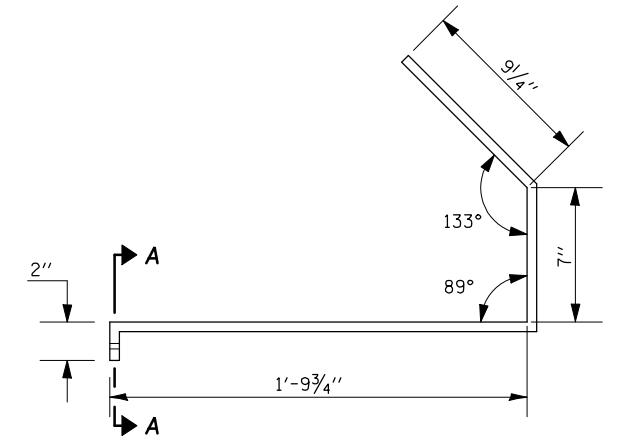
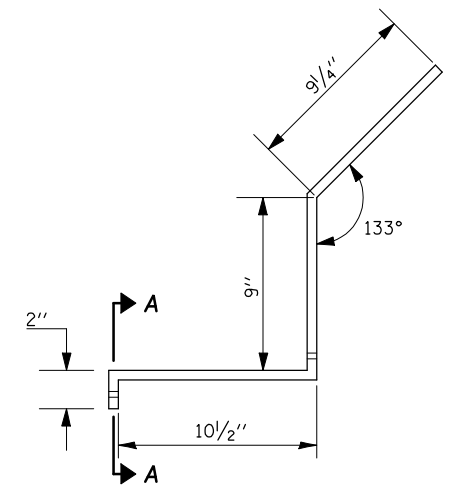


DETAIL OF DRAIN EXTENSION S.N. 021-2010 & 021-2011



SECTION A-A



EXTENSION DETAILS

WIND BRACE DETAILS

FILE NAME =	USER NAME = shererjm	DESIGNED - GMS	REVISED -
ct:\pw\work\PWIDOT\SHERERJM\d0134546\d0251-shr-structures.dgn		DRAWN - GMS	REVISED -
	PLOT SCALE = 40.0001' / IN.	CHECKED -	REVISED -
	PLOT DATE = 12/9/2009	DATE -	REVISED -

**STATE OF ILLINOIS
DEPARTMENT OF TRANSPORTATION**

**DETAIL OF DRAIN EXTENSION
S.N. 021-2010 & 021-2011**

SCALE: SHEET NO. 9 OF 18 SHEETS STA. TO STA.

* CHAMPAIGN & DOUGLAS

F.A.I. RTE.	SECTION	COUNTY	TOTAL SHEETS	SHEET NO.
57	(21-28,21-10-29,10-30)RS-1	*	115	95
CONTRACT NO. 70251				
ILLINOIS FED. AID PROJECT				