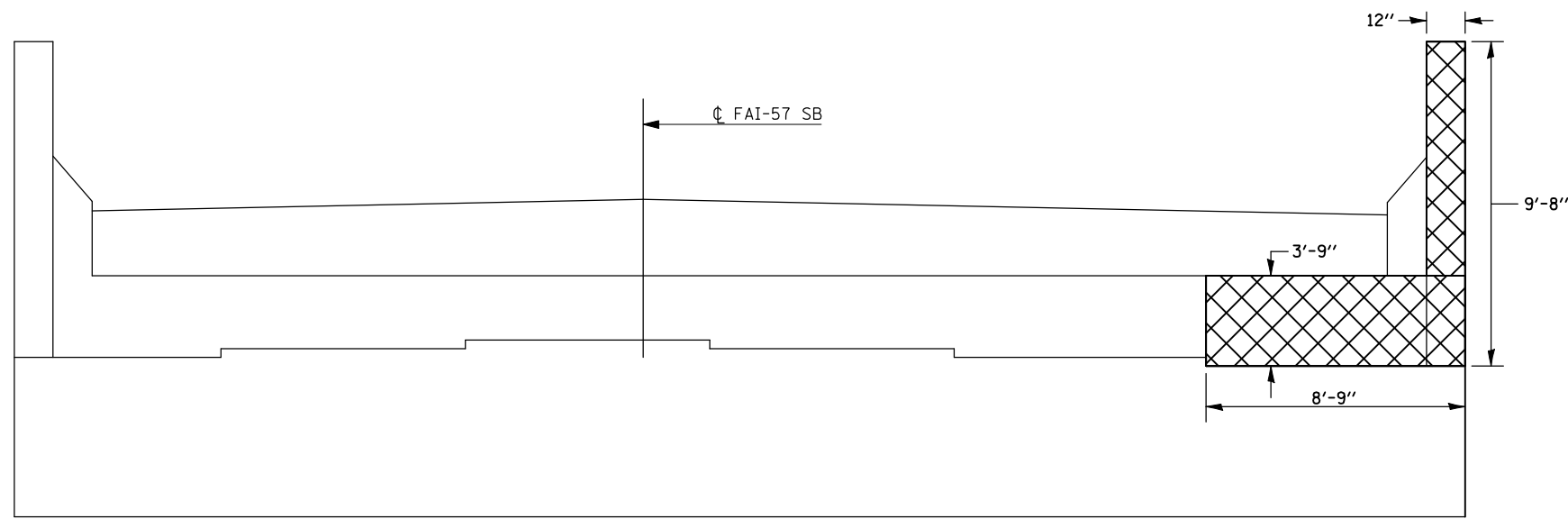
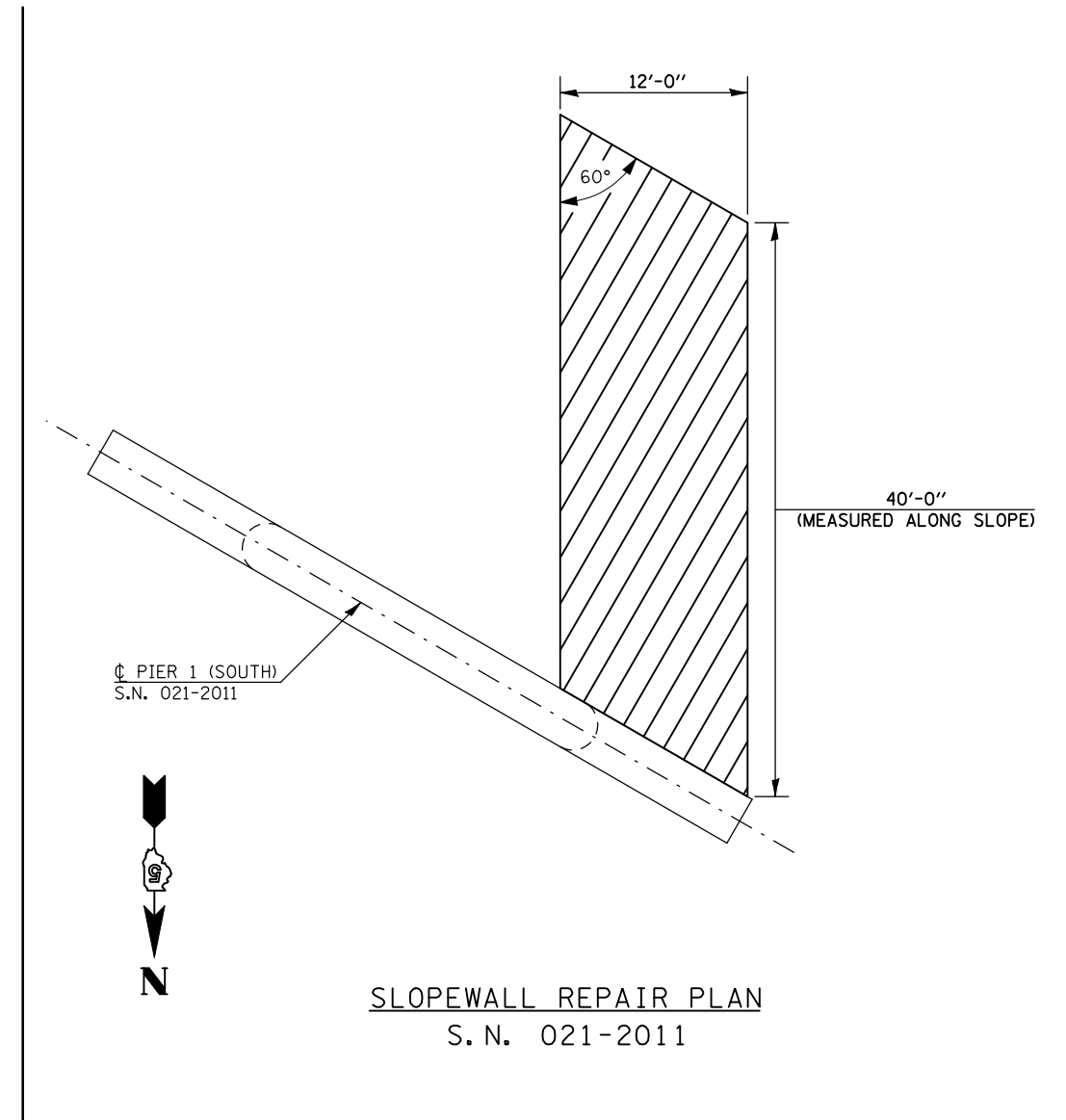


SUBSTRUCTURE REPAIR DETAILS S.N. 021-2011 ONLY

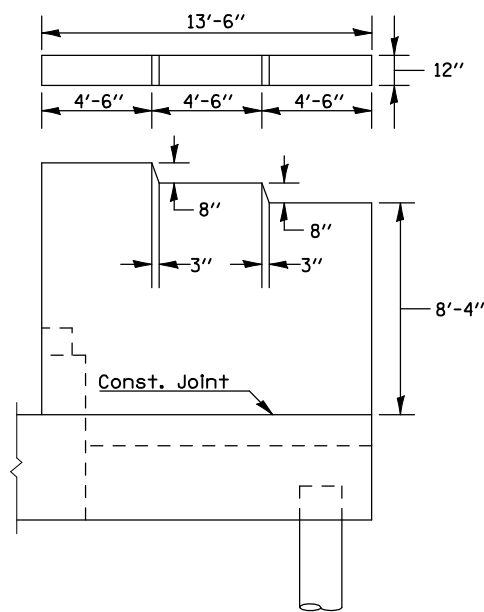


ELEVATION AT SOUTH ABUTMENT
(LOOKING SOUTH)

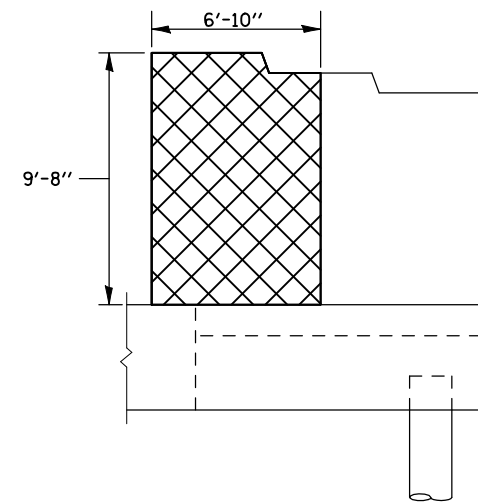
NOTE:
SEE SPECIAL PROVISION FOR STRUCTURAL REPAIR OF CONCRETE.



SLOPEWALL REPAIR PLAN
S. N. 021-2011



TYPICAL WINGWALL ELEVATION



ELEVATION - PLAN OF REPAIR
(SOUTHWEST WINGWALL ONLY)

LEGEND

- STRUCTURAL REPAIR OF CONCRETE, DEPTH EQUAL TO OR LESS THAN 5"
- SLOPE WALL REMOVAL AND SLOPE WALL, 4"

BILL OF MATERIALS

ITEM	UNIT	TOTAL
STRUCTURAL REPAIR OF CONCRETE, DEPTH EQUAL TO OR LESS THAN 5"	SQ FT	103.3
SLOPE WALL REMOVAL	SQ YD	53.3
SLOPE WALL, 4 INCH	SQ YD	53.3

* CHAMPAIGN & DOUGLAS

FILE NAME =	USER NAME = shererjm	DESIGNED - GMS	REVISED -	STATE OF ILLINOIS DEPARTMENT OF TRANSPORTATION	SUBSTRUCTURE REPAIR DETAILS S.N. 021-2011	SCALE:	SHEET NO. 11 OF 18 SHEETS	STA. TO STA.	F.A.I. RTE. SECTION COUNTY TOTAL SHEETS SHEET NO.
ct:\pwork\pwidot\shererjm\d0134546\d0570251-shr-structures.dgn		DRAWN - GMS	REVISED -						57 (21-28,21-10-29,10-30)RS-1 * 115 97
PLOT SCALE = 40.0001' / IN.		CHECKED -	REVISED -						CONTRACT NO. 70251
PLOT DATE = 12/9/2009		DATE -	REVISED -						ILLINOIS FED. AID PROJECT